



US00D888203S

(12) **United States Design Patent**
Blum

(10) **Patent No.:** **US D888,203 S**

(45) **Date of Patent:** **** Jun. 23, 2020**

- (54) **THREADED RING**
- (71) Applicant: **Neoperl GmbH**, Mullheim (DE)
- (72) Inventor: **Gerhard Blum**, Gutach (DE)
- (73) Assignee: **Neoperl GmbH**, Müllheim (DE)
- (**) Term: **15 Years**
- (21) Appl. No.: **29/680,662**
- (22) Filed: **Feb. 19, 2019**

D791,921 S	7/2017	Blum	
9,901,940 B2 *	2/2018	Gong	B05B 17/085
D812,722 S	3/2018	Blum	
D833,581 S	11/2018	Atwell et al.	
D846,094 S *	4/2019	Blum	B05B 17/085
			D23/262
D864,702 S *	10/2019	Hagspiel	D8/387
D872,226 S *	1/2020	Stein	D23/213

Related U.S. Application Data

- (62) Division of application No. 35/502,726, filed on Mar. 13, 2017 (U.S. filing date under 35 U.S.C. 384), and having an international filing date of Mar. 13, 2017, now Pat. No. Des. 846,094.
- (51) **LOC (12) Cl.** **23-01**
- (52) **U.S. Cl.**
USPC **D23/262**; 259/213
- (58) **Field of Classification Search**
USPC D23/213, 229, 233, 235, 247–249, 264;
D8/387
CPC B05B 7/0425; E03C 1/08; E03C 1/084;
E03C 1/086; E03C 2001/026
See application file for complete search history.

References Cited

U.S. PATENT DOCUMENTS

D243,406 S	2/1977	Mooney et al.
5,022,552 A	6/1991	Kars
D536,417 S	2/2007	Buttgen
D537,916 S	3/2007	Buttgen
D632,367 S	2/2011	Stein
D699,816 S	2/2014	Blum
D728,738 S	5/2015	Birmelin
D745,641 S	12/2015	Blum
D776,241 S	1/2017	Wu et al.

OTHER PUBLICATIONS

Semrock.com; “Sutter Threaded Rings”; [online] ‘https://www.semrock.com/sutter-threaded-rings.aspx’; dated Apr. 14, 2015 (via Wayback Machine); accessed Feb. 3, 2020; 1pg. (Year: 2015).*

* cited by examiner

Primary Examiner — Keli L Hill

(74) *Attorney, Agent, or Firm* — Volpe and Koenig, P.C.

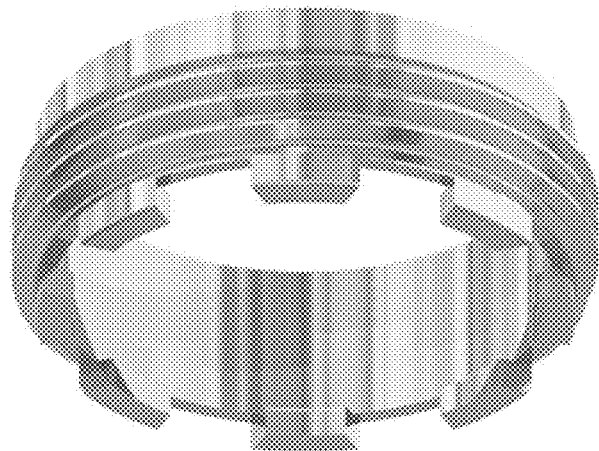
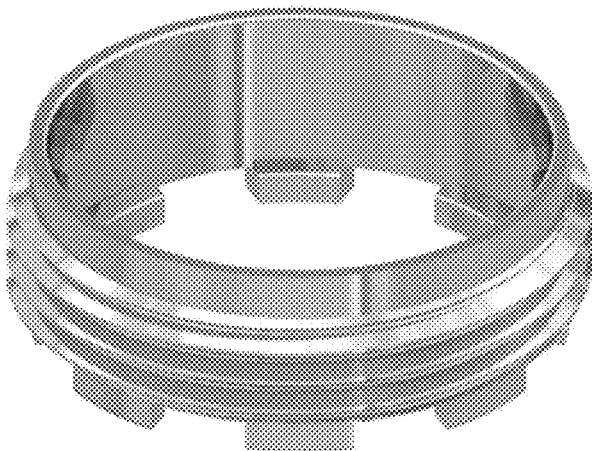
(57) **CLAIM**

The ornamental design for a threaded ring, as shown and described.

DESCRIPTION

The patent or application file contains at least one drawing executed in color. Copies of this patent or patent application publication with color drawing(s) will be provided by the Office upon request and payment of the necessary fee. FIG. 1 is a top plan view of a threaded ring in accordance with my design; FIG. 2 is a top, front perspective view thereof; FIG. 3 is a bottom plan elevational view thereof; FIG. 4 is a bottom, rear perspective view thereof; FIG. 5 is a front elevational view thereof; FIG. 6 is a right side elevational view thereof; FIG. 7 is a rear elevational view thereof; and, FIG. 8 is a left side elevational view thereof.

1 Claim, 8 Drawing Sheets
(8 of 8 Drawing Sheet(s) Filed in Color)



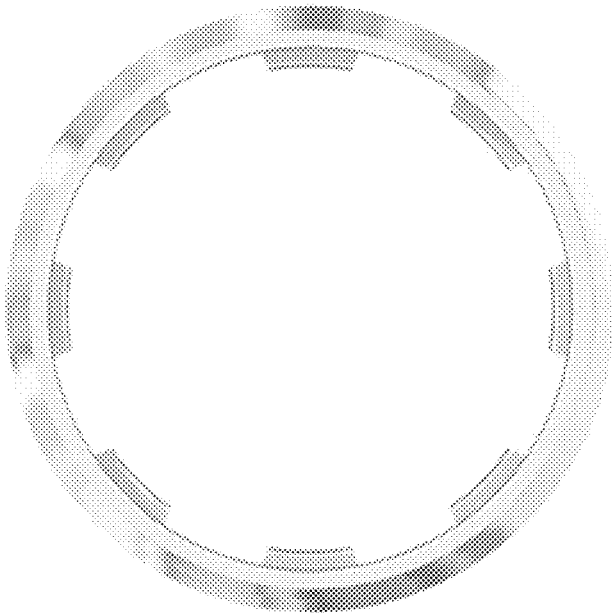


Fig. 1

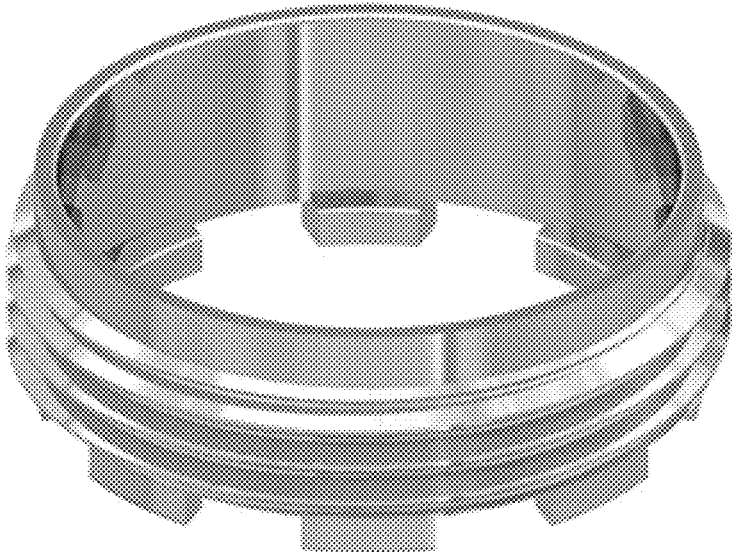


Fig. 2

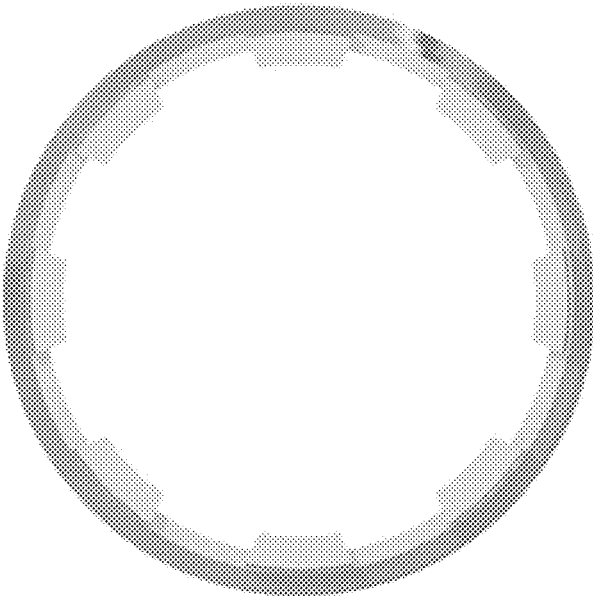


Fig. 3

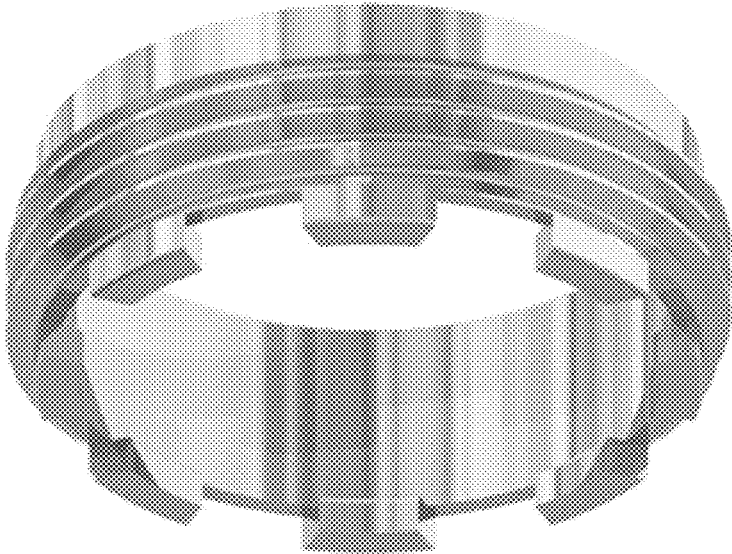


Fig. 4

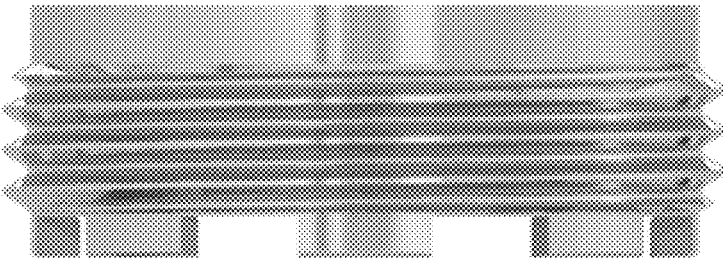


Fig. 5

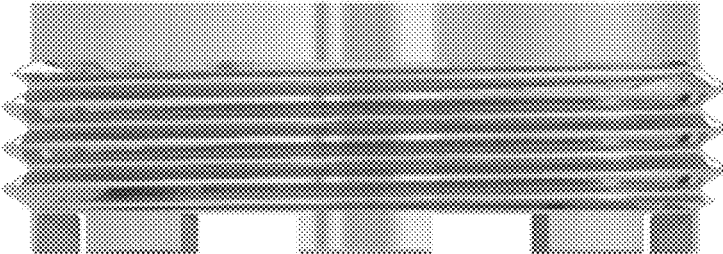


Fig. 6

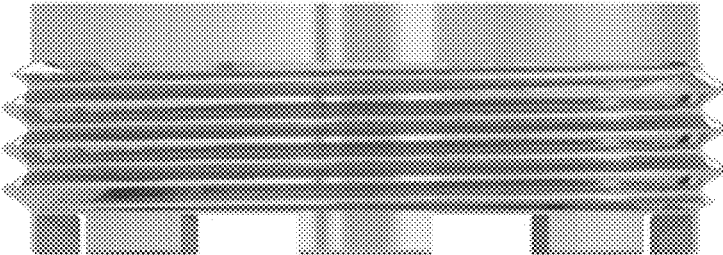


Fig. 7

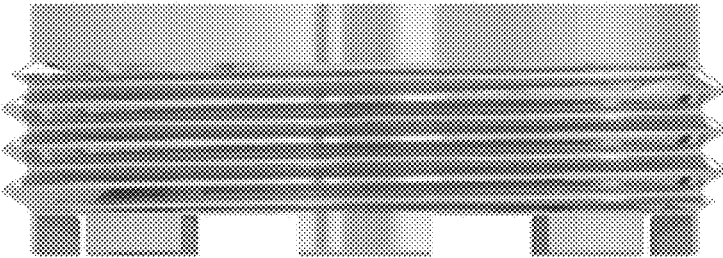


Fig. 8