



US00D881424S

(12) **United States Design Patent**
Gu

(10) **Patent No.:** **US D881,424 S**

(45) **Date of Patent:** **** Apr. 14, 2020**

- (54) **HEADLIGHT FOR BICYCLES**
- (71) Applicant: **Shaofeng Wang**, Foshan (CN)
- (72) Inventor: **Xin Gu**, Foshan (CN)
- (73) Assignee: **Shaofeng Wang**, Foshan (CN)
- (**) Term: **15 Years**
- (21) Appl. No.: **29/670,787**

D535,766	S	*	1/2007	Lee	D26/28
D608,485	S	*	1/2010	Liao	D26/60
D611,173	S	*	3/2010	McKechnie	D26/28
D667,581	S	*	9/2012	Lee	D26/28
D690,854	S	*	10/2013	Janssen	D26/29
D800,361	S	*	10/2017	Robertson	D26/28

* cited by examiner

Primary Examiner — Marcus A Jackson

(74) *Attorney, Agent, or Firm* — JMB Davis-Ben David

- (22) Filed: **Nov. 20, 2018**
- (51) **LOC (12) Cl.** **26-06**
- (52) **U.S. Cl.**
USPC **D26/28**
- (58) **Field of Classification Search**
USPC D26/28–36, 139
CPC F21S 48/00; F21S 48/10; F21S 48/115;
F21S 48/225; F21S 48/1233; F21S
48/1266; F21S 48/1388; F21S 48/2268;
F21V 21/04; B60Q 9/13; B60Q 9/135;
B60Q 9/1375
See application file for complete search history.

(57) **CLAIM**

The ornamental design for a headlight for bicycles, as shown and described.

DESCRIPTION

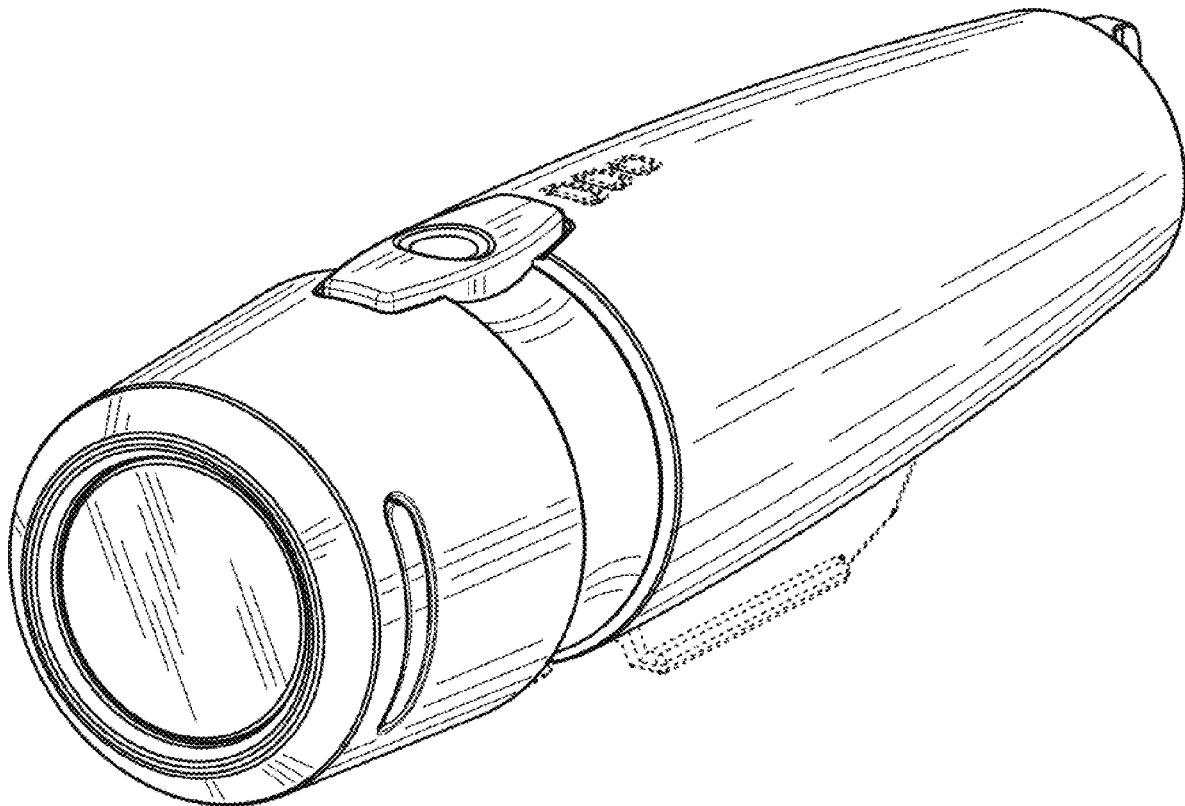
FIG. 1 shows a front view of a headlight for bicycles; FIG. 2 is a rear view thereof; FIG. 3 is a left-side view thereof; FIG. 4 is a right-side view thereof; FIG. 5 is a top view thereof; FIG. 6 is a bottom view thereof; and, FIG. 7 is a perspective view thereof. Certain figures include broken lines that display environmental structure which forms no part of the claimed design.

(56) **References Cited**

U.S. PATENT DOCUMENTS

D463,052	S	*	9/2002	Shiu	D26/38
D535,411	S	*	1/2007	Lee	D26/28

1 Claim, 7 Drawing Sheets



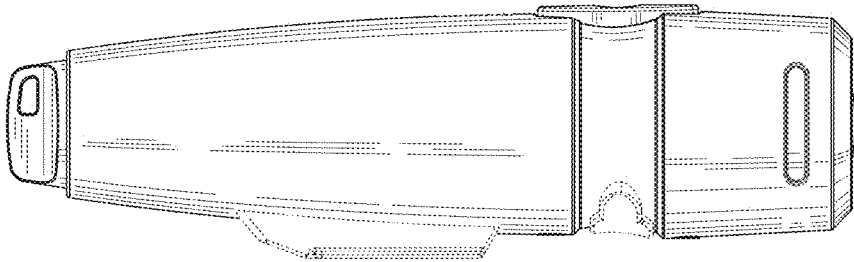


Figure 1

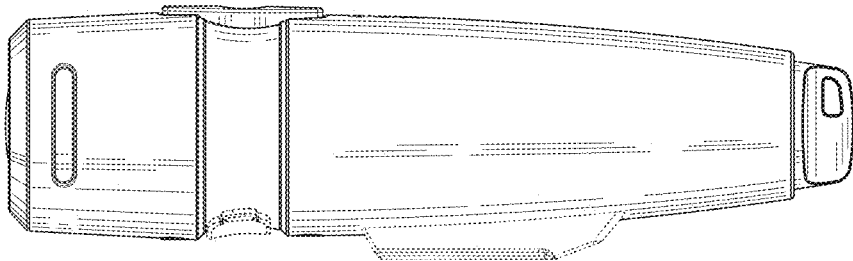


Figure 2

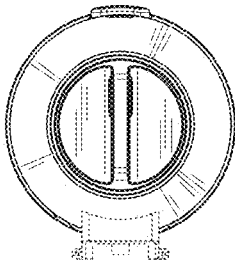


Figure 3

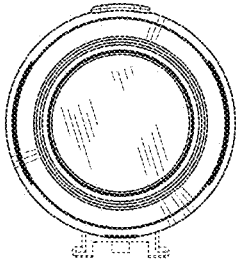


Figure 4

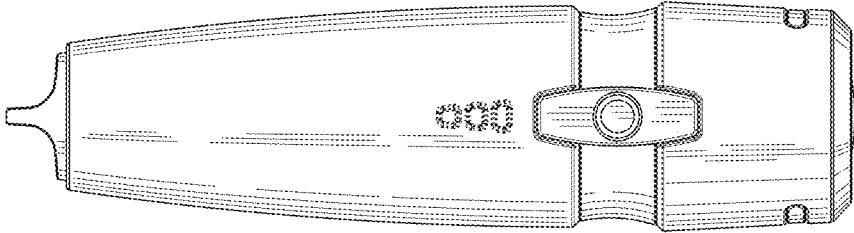


Figure 5

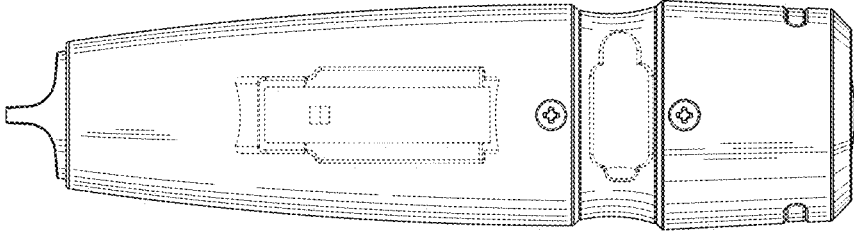


Figure 6

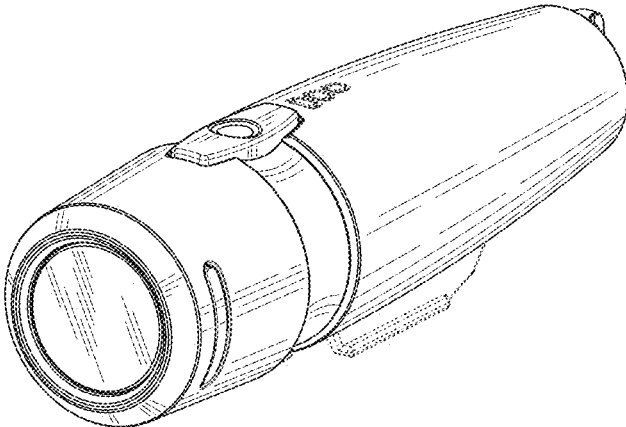


Figure 7