



(12) **United States Design Patent** (10) **Patent No.:** **US D841,544 S**  
**Buffery** (45) **Date of Patent:** **\*\* Feb. 26, 2019**

(54) **INTERIOR PANEL FOR A VEHICLE**

- (71) Applicant: **Jaguar Land Rover Limited**, Whitley, Coventry (GB)
- (72) Inventor: **Martin Buffery**, Coventry (GB)
- (73) Assignee: **Jaguar Land Rover Limited**, Whitley, Coventry (GB)
- (\*\*) Term: **15 Years**

(21) Appl. No.: **29/603,679**

(22) Filed: **May 11, 2017**

(30) **Foreign Application Priority Data**

Nov. 11, 2016 (EM) ..... 003459536-0001  
 Nov. 13, 2016 (EM) ..... 003460807-0005

(51) **LOC (11) Cl.** ..... **12-16**  
 (52) **U.S. Cl.**  
 USPC ..... **D12/192**

(58) **Field of Classification Search**  
 USPC ..... D12/192, 415  
 CPC ..... B60R 21/045; B60K 35/00  
 See application file for complete search history.

(56) **References Cited**

**U.S. PATENT DOCUMENTS**

D625,233 S \* 10/2010 Mizuhata ..... D12/192  
 D721,996 S \* 2/2015 Farcas ..... D12/192  
 D727,231 S \* 4/2015 Narita ..... D12/192  
 9,457,755 B2 \* 10/2016 Merkel ..... B60R 21/045  
 D770,968 S \* 11/2016 Willis ..... D12/415

**OTHER PUBLICATIONS**

Screenshot: Gallery: 2018 Land Rover Range Rover Velar Interior. Dated Jan. 25, 2018. 1 page. Found online Jun. 29, 2018 at <http://autoweek.com/gallery/car-reviews/gallery-2018-land-rover-range-rover-velar-interior> (Year: 2018).\*

\* cited by examiner

*Primary Examiner* — Robert M. Spear

(74) *Attorney, Agent, or Firm* — Wood Herron & Evans LLP

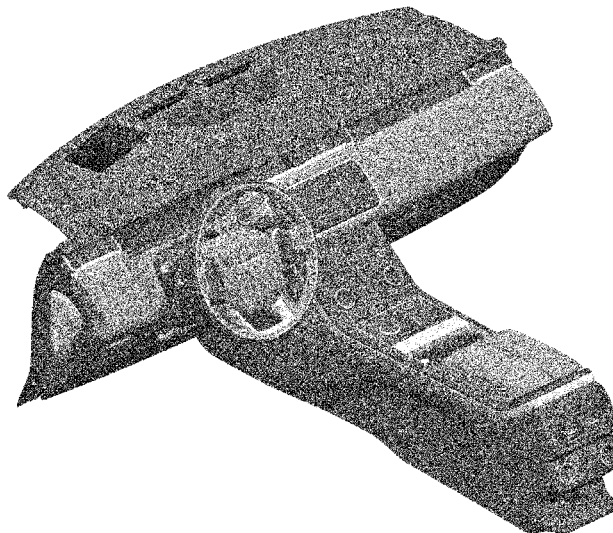
(57) **CLAIM**

The ornamental design for an interior panel for a vehicle, as shown and described.

**DESCRIPTION**

FIG. 1 is a front left perspective view of an interior panel for a vehicle according to the present invention.  
 FIG. 2 is a front right perspective view of the interior panel for a vehicle shown in FIG. 1.  
 FIG. 3 is a rear right perspective view thereof.  
 FIG. 4 is a rear left perspective view thereof.  
 FIG. 5 is a front and right view thereof.  
 FIG. 6 is a front view thereof.  
 FIG. 7 is a rear view thereof.  
 FIG. 8 is a left side view thereof.  
 FIG. 9 is a right side view thereof.  
 FIG. 10 is a top view thereof.  
 FIG. 11 is a front right perspective view of the interior panel for a vehicle shown in FIG. 1, along with an accompanying center console, with the armrest of the center console moved forward and the screen deployed; and,  
 FIG. 12 is a front and right view of the center console shown in FIG. 11.

**1 Claim, 12 Drawing Sheets**



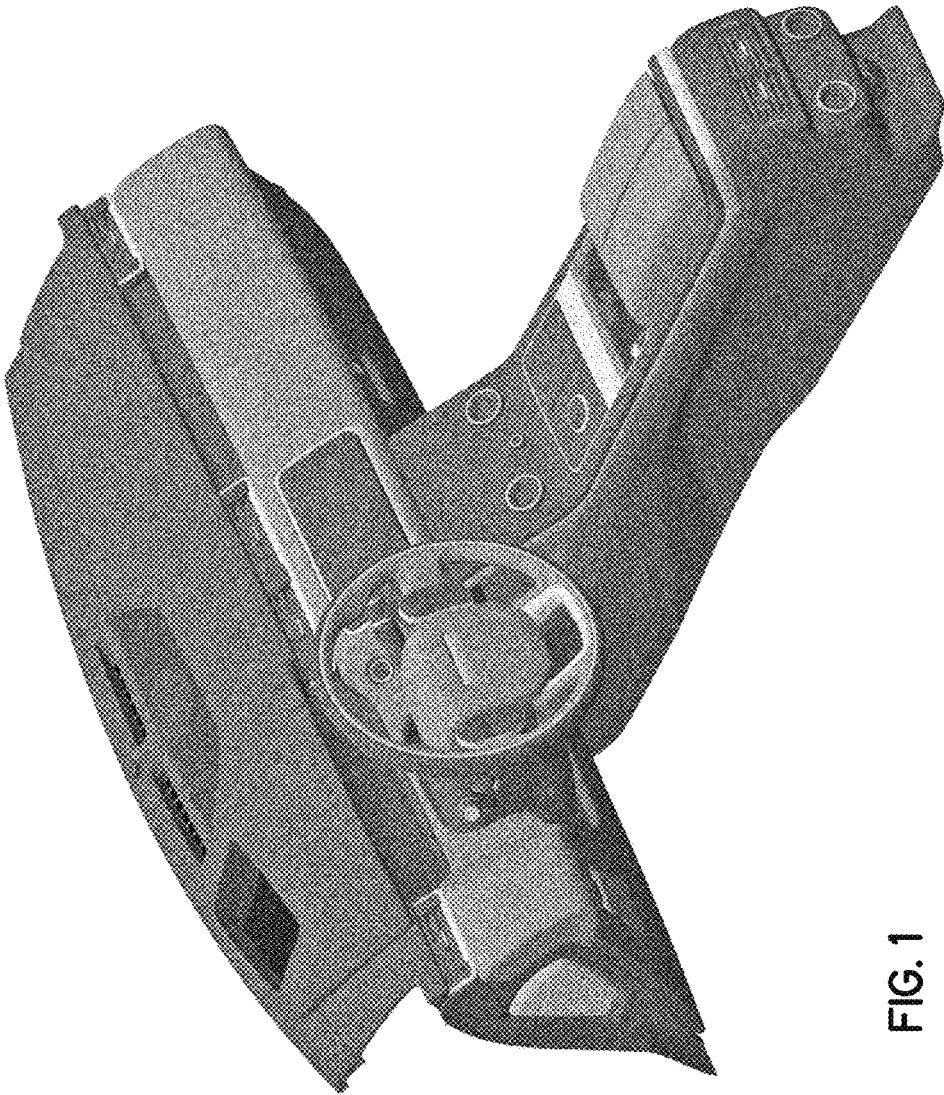


FIG. 1

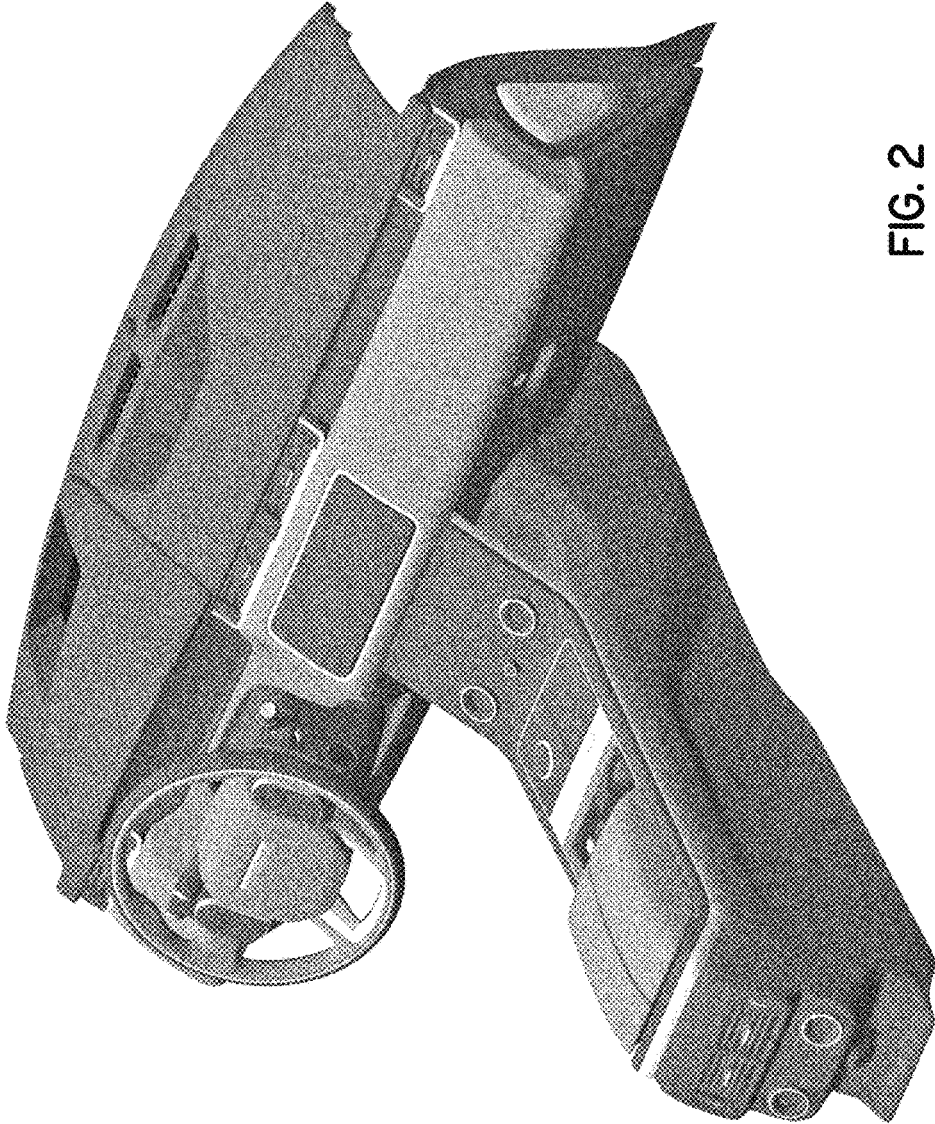


FIG. 2

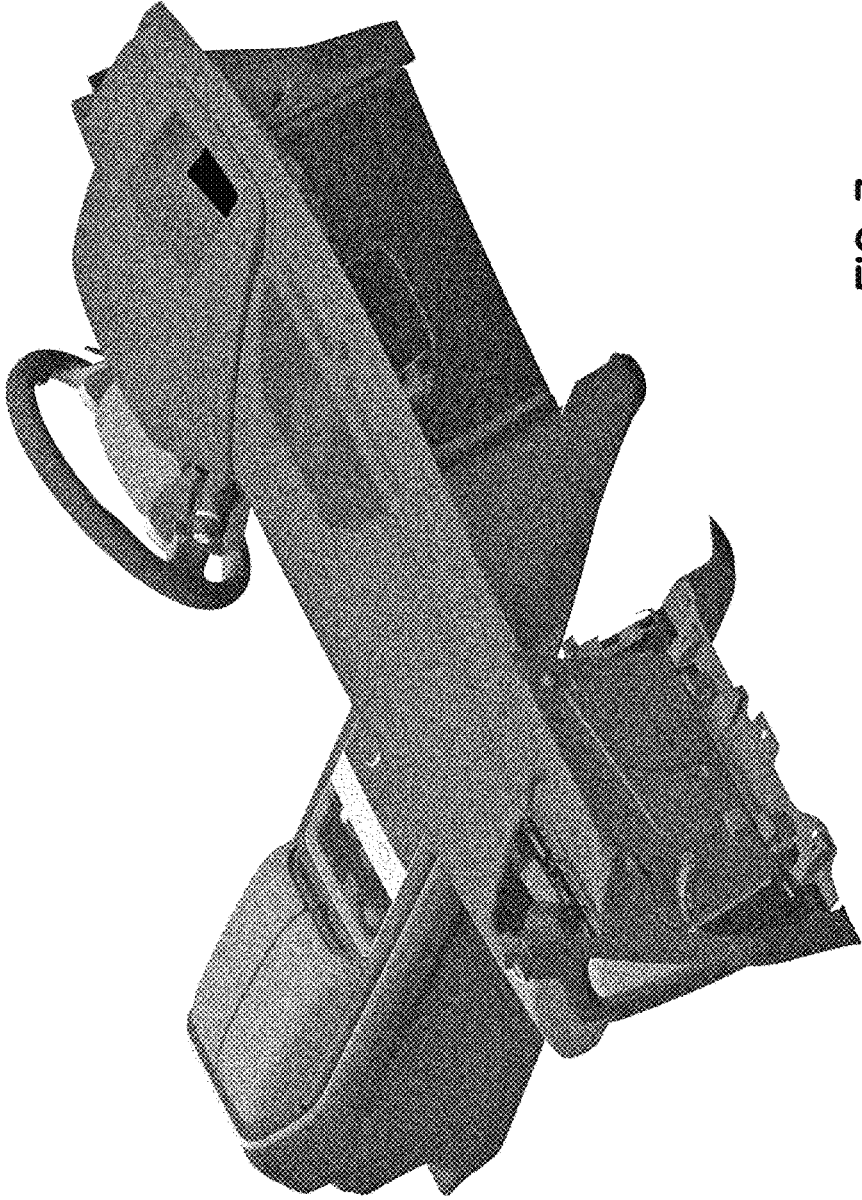


FIG. 3

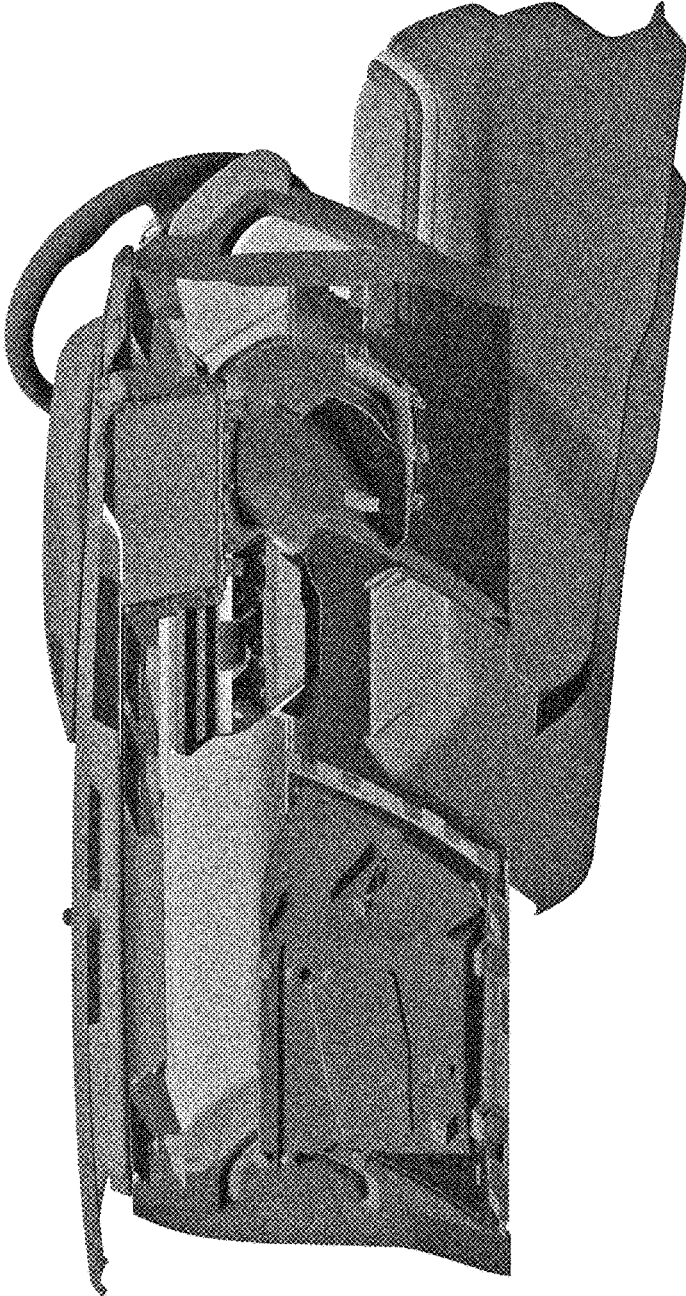


FIG. 4



FIG. 5

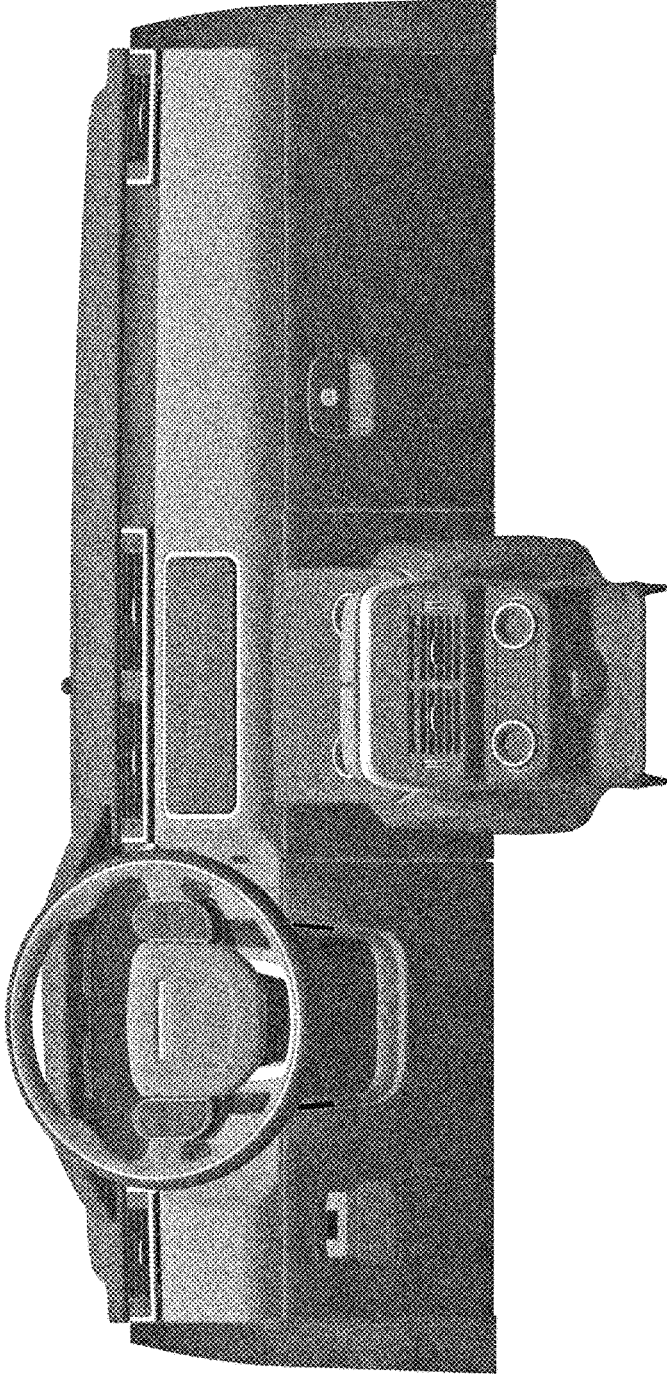


FIG. 6

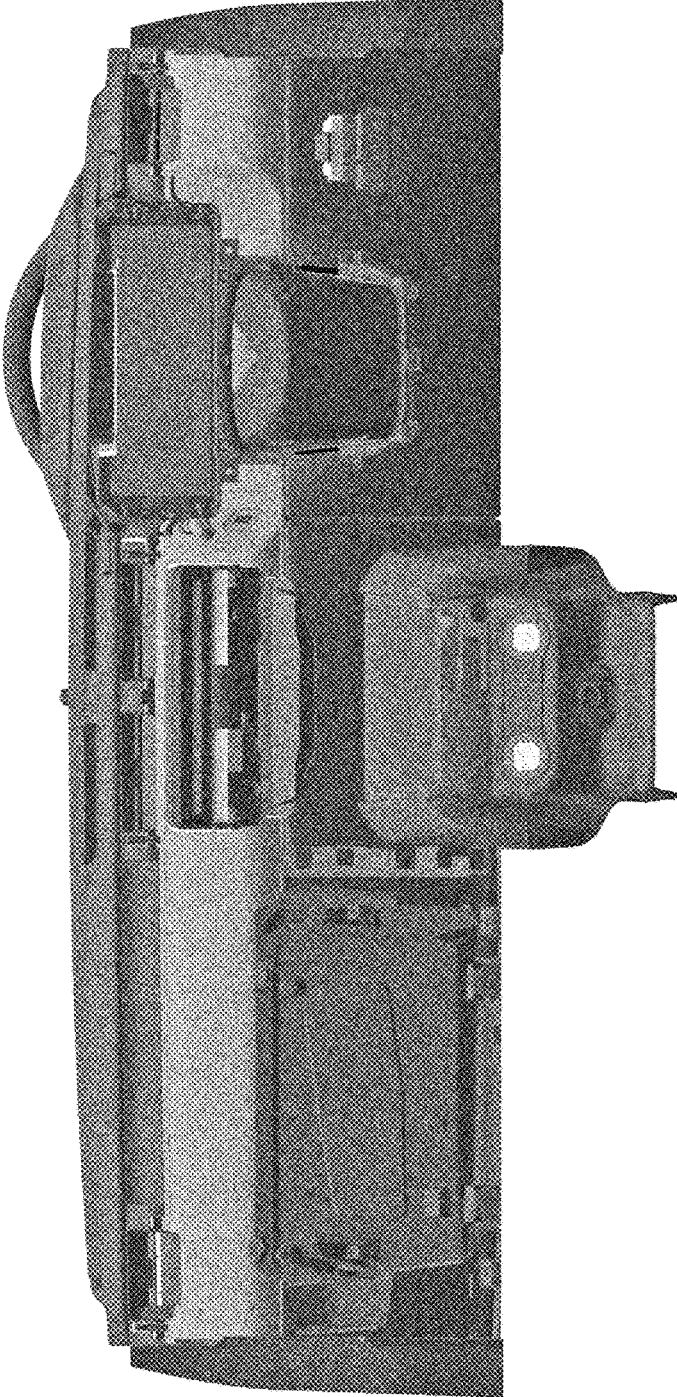


FIG. 7



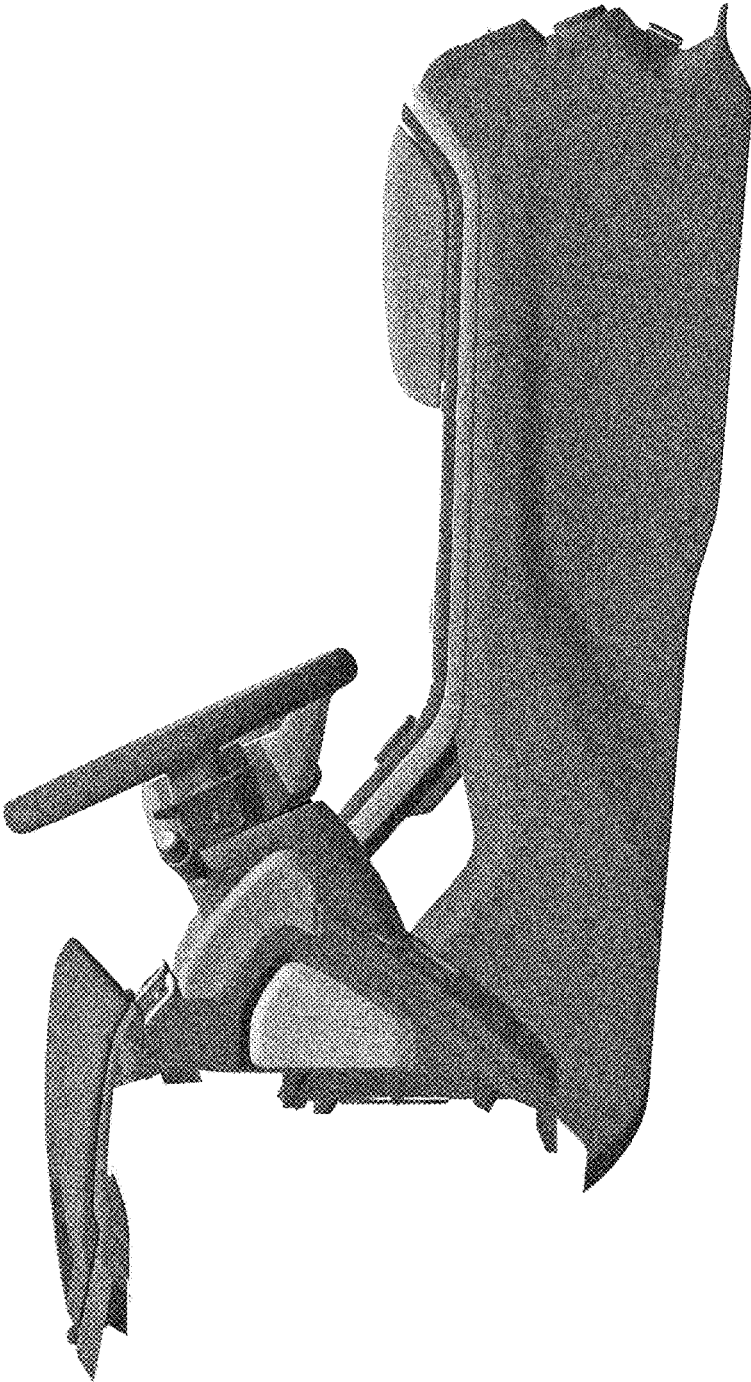


FIG. 8

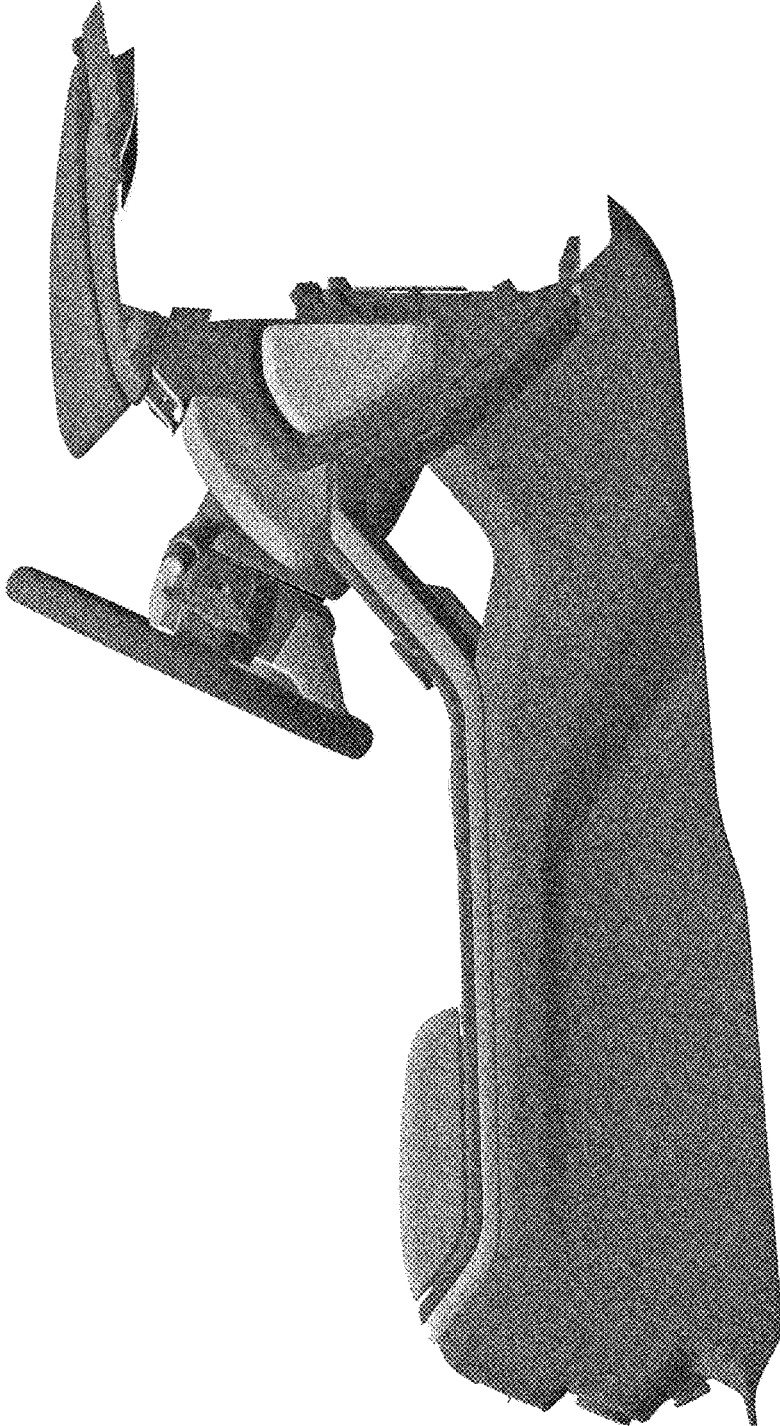


FIG. 9

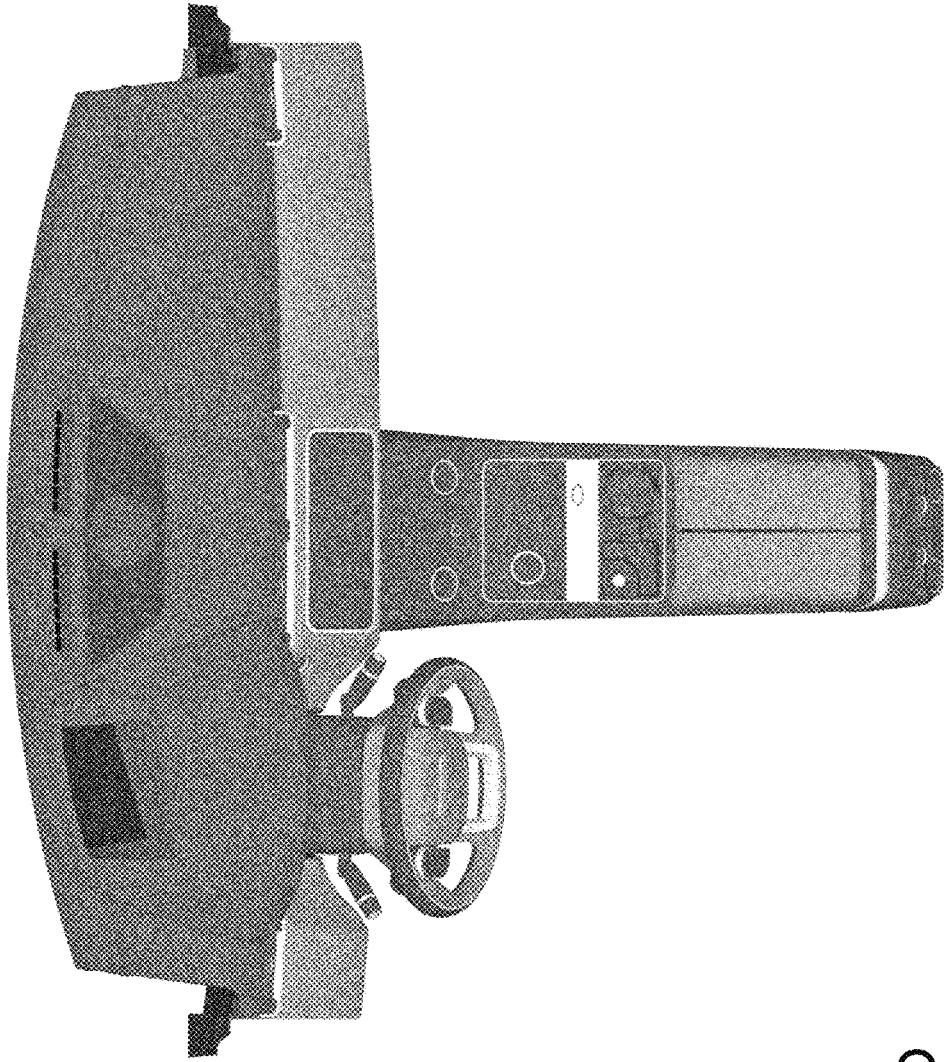


FIG. 10

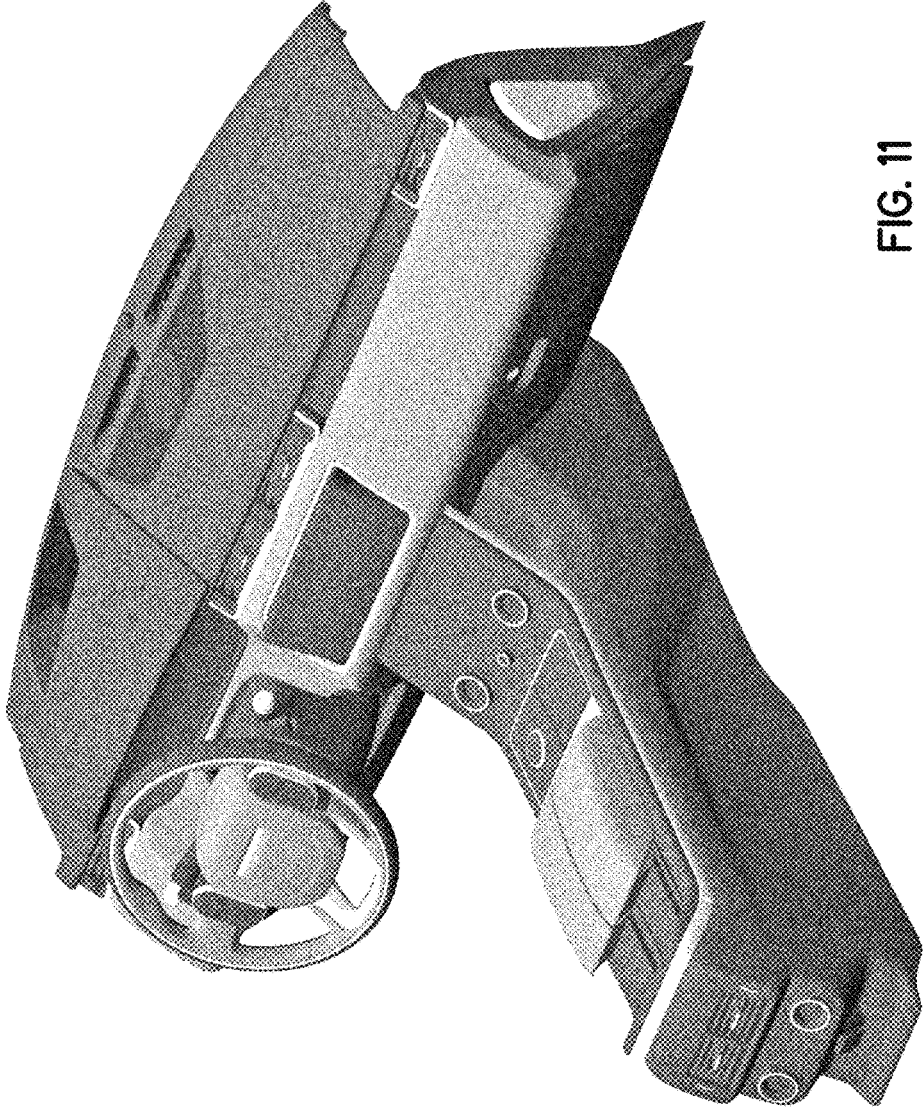


FIG. 11



FIG. 12