

(19) World Intellectual Property Organization
International Bureau



(43) International Publication Date
1 June 2006 (01.06.2006)

PCT

(10) International Publication Number
WO 2006/057502 A3

- (51) International Patent Classification:
E04H 15/42 (2006.01)
- (21) International Application Number:
PCT/KR2005/003938
- (22) International Filing Date:
22 November 2005 (22.11.2005)
- (25) Filing Language: Korean
- (26) Publication Language: English
- (30) Priority Data:
10-2004-0096110 23 November 2004 (23.11.2004) KR
10-2005-0037161 3 May 2005 (03.05.2005) KR

AT, AU, AZ, BA, BB, BG, BR, BW, BY, BZ, CA, CH, CN, CO, CR, CU, CZ, DE, DK, DM, DZ, EC, EE, EG, ES, FI, GB, GD, GE, GH, GM, HR, HU, ID, IL, IN, IS, JP, KE, KG, KM, KN, KP, KZ, LC, LK, LR, LS, LT, LU, LV, LY, MA, MD, MG, MK, MN, MW, MX, MZ, NA, NG, NI, NO, NZ, OM, PG, PH, PL, PT, RO, RU, SC, SD, SE, SG, SK, SL, SM, SY, TJ, TM, TN, TR, TT, TZ, UA, UG, US, UZ, VC, VN, YU, ZA, ZM, ZW.

(84) Designated States (unless otherwise indicated, for every kind of regional protection available): ARIPO (BW, GH, GM, KE, LS, MW, MZ, NA, SD, SL, SZ, TZ, UG, ZM, ZW), Eurasian (AM, AZ, BY, KG, KZ, MD, RU, TJ, TM), European (AT, BE, BG, CH, CY, CZ, DE, DK, EE, ES, FI, FR, GB, GR, HU, IE, IS, IT, LT, LU, LV, MC, NL, PL, PT, RO, SE, SI, SK, TR), OAPI (BF, BJ, CF, CG, CI, CM, GA, GN, GQ, GW, ML, MR, NE, SN, TD, TG).

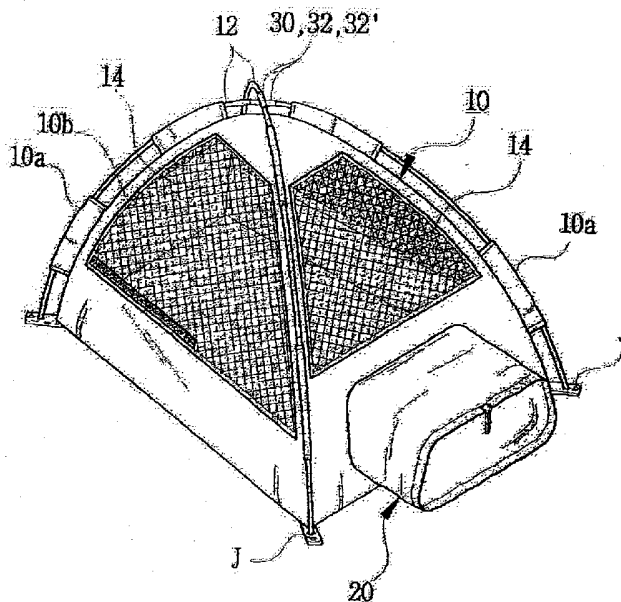
- (71) Applicant and
- (72) Inventor: AHN, Geun Su [KR/KR]; 710-4, Sinam-dong, Dong-gu, Daegu 701-010 (KR).
- (74) Agent: HAN, Sang Hyuk; 3rd Floor Yaksan B/D, 891-39 Daechi 4-dong, Gangnam-gu, Seoul 135-284 (KR).
- (81) Designated States (unless otherwise indicated, for every kind of national protection available): AE, AG, AL, AM,

Published:
— with international search report

(88) Date of publication of the international search report:
2 November 2006

For two-letter codes and other abbreviations, refer to the "Guidance Notes on Codes and Abbreviations" appearing at the beginning of each regular issue of the PCT Gazette.

(54) Title: UPPER TENT



(57) Abstract: An upper body tent structure is disclosed, which is capable of partially receiving an upper body of a human, so that a carry and storage are easy, and it is possible to effectively protect an upper body from insects such as mosquito, fly, etc. when taking a rest or sleep while enjoying leisure sports at outdoor in a state that an upper clothes is taken off. The upper body tent structure comprises a body which has a certain inner space for receiving an upper body of a human and maintains a semi-spherical shape based on a support member and has an anti-insect net on an outer surface of the same; and an opening which communicates with one side of the body and has a certain sealing means at the end of the same.

WO 2006/057502 A3

INTERNATIONAL SEARCH REPORT

International application No.
PCT/KR2005/003938

A. CLASSIFICATION OF SUBJECT MATTER

E04H 15/42(2006.01)i

According to International Patent Classification (IPC) or to both national classification and IPC

B. FIELDS SEARCHED

Minimum documentation searched (classification system followed by classification symbols)

IPC(2006.1) : E04H15/00 ~ E04H15/64

Documentation searched other than minimum documentation to the extent that such documents are included in the fields searched

KR, JP : IPC as above

Electronic data base consulted during the international search (name of data base and, where practicable, search terms used)

eKIPASS(KIPO) : "upper","body","fish*"

C. DOCUMENTS CONSIDERED TO BE RELEVANT

Category*	Citation of document, with indication, where appropriate, of the relevant passages	Relevant to claim No.
A	US 5,368,057 A (RAYMOND F. LUBKEMAN, DAVID R. LUBKEMAN) 29 NOVEMBER 1994 See Fig.2	1
A	US 4,796,649 A (JAMES E. TOLOMAY) 10 JANUARY 1989 See Fig.1	1
A	JP H6-76563 U (HEIPACHI INDUSTRY COOMPANY) 28 OCTOBER 1994 See Fig.14	1
A	KR 2002-79291 A (LEE, WON-YOUNG) 19 OCTOBER 2002 See Fig. 2	1

Further documents are listed in the continuation of Box C.

See patent family annex.

* Special categories of cited documents:

"A" document defining the general state of the art which is not considered to be of particular relevance

"E" earlier application or patent but published on or after the international filing date

"L" document which may throw doubts on priority claim(s) or which is cited to establish the publication date of citation or other special reason (as specified)

"O" document referring to an oral disclosure, use, exhibition or other means

"P" document published prior to the international filing date but later than the priority date claimed

"T" later document published after the international filing date or priority date and not in conflict with the application but cited to understand the principle or theory underlying the invention

"X" document of particular relevance; the claimed invention cannot be considered novel or cannot be considered to involve an inventive step when the document is taken alone

"Y" document of particular relevance; the claimed invention cannot be considered to involve an inventive step when the document is combined with one or more other such documents, such combination being obvious to a person skilled in the art

"&" document member of the same patent family

Date of the actual completion of the international search

08 MAY 2006 (08.05.2006)

Date of mailing of the international search report

08 MAY 2006 (08.05.2006)

Name and mailing address of the ISA/KR



Korean Intellectual Property Office
920 Dunsan-dong, Seo-gu, Daejeon 302-701,
Republic of Korea

Facsimile No. 82-42-472-7140

Authorized officer

CHOI, Byoung Suk

Telephone No. 82-42-481-5797



INTERNATIONAL SEARCH REPORT

Information on patent family members

International application No.

PCT/KR2005/003938

Patent document cited in search report	Publication date	Patent family member(s)	Publication date
US5368057A	29. 11. 1994	NONE	
US4796649A	10. 01. 1989	NONE	
JP06076563	28. 10. 1994	NONE	
KR1020020079291	19. 10. 2002	NONE	