



US00D428209S

United States Patent [19]

[11] Patent Number: **Des. 428,209**

Kudo et al.

[45] Date of Patent: **** Jul. 11, 2000**

[54] **EYE SHADOW CASE**
[75] Inventors: **Aoshi Kudo; Tetsuo Togasawa**, both of Tokyo, Japan

D. 363,661 10/1995 Lambelet, Jr. et al. D9/423
D. 381,124 7/1997 Blachut D28/78
D. 408,591 4/1999 Litton et al. D28/82
D. 411,649 6/1999 Bakic D28/82

[73] Assignee: **Shiseido Co., Ltd.**, Tokyo, Japan

Primary Examiner—Ted Shooman
Assistant Examiner—C Tuttle
Attorney, Agent, or Firm—Kanesaka & Takeuchi

[**] Term: **14 Years**

[57] CLAIM

[21] Appl. No.: **29/106,855**

The ornamental design for an eye shadow case, as shown and described.

[22] Filed: **Jun. 24, 1999**

DESCRIPTION

[51] **LOC (7) Cl.** **28-03**

[52] **U.S. Cl.** **D28/78**

[58] **Field of Search** D28/76-84; D9/420;
132/293-307, 314-317; 206/235, 581, 823;
220/DIG. 26

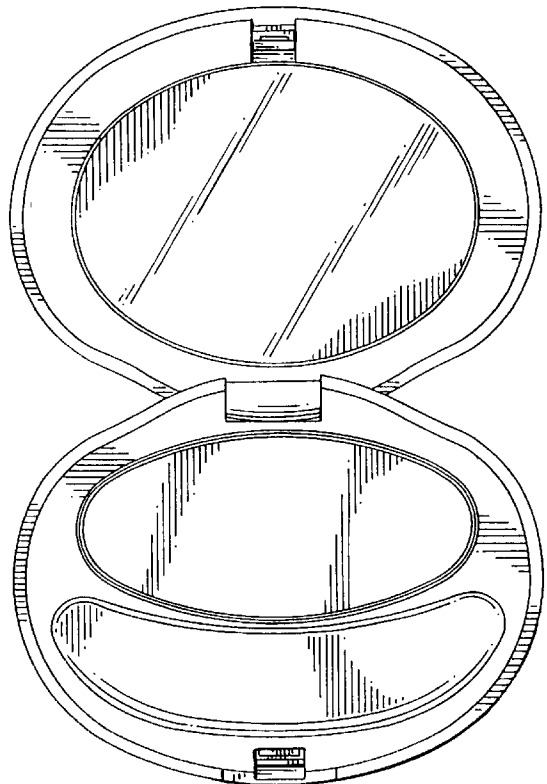
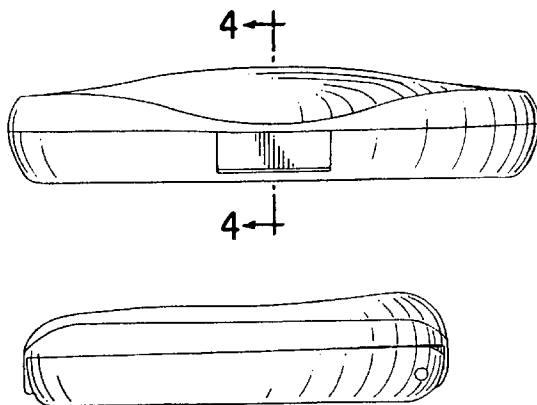
FIG. 1 is a front view of an eye shadow case showing our new design;
FIG. 2 is a rear view thereof;
FIG. 3 is a right side view thereof, the left view being symmetrical to the right side view;
FIG. 4 is a cross sectional view taken along line 4-4 in FIG. 1;
FIG. 5 is a top plan view thereof;
FIG. 6 is a bottom plan view thereof; and,
FIG. 7 is a top plan view thereof, wherein the cover is opened.

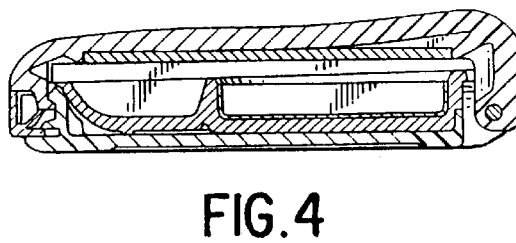
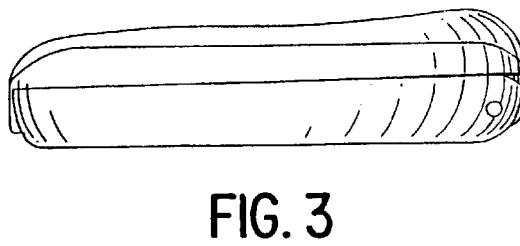
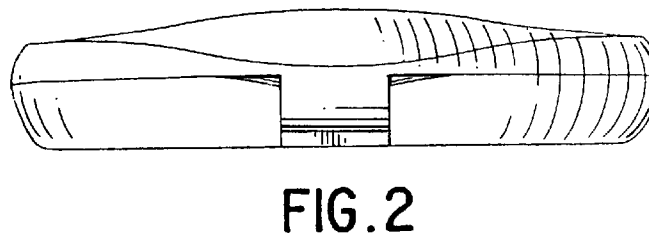
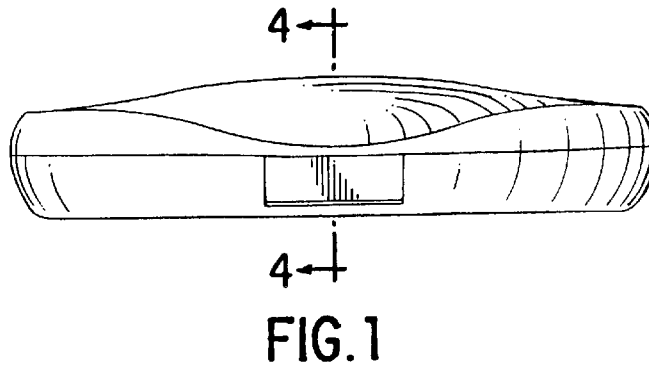
[56] References Cited

U.S. PATENT DOCUMENTS

D. 277,896	3/1985	Chevassus	D28/78
D. 280,450	9/1985	Schefer	D28/78
D. 286,331	10/1986	Scoccola	D28/78
D. 303,163	8/1989	Bakic	D28/78
D. 309,358	7/1990	Machelett et al.	D28/78
D. 342,808	12/1993	Bakic	D28/82

1 Claim, 3 Drawing Sheets





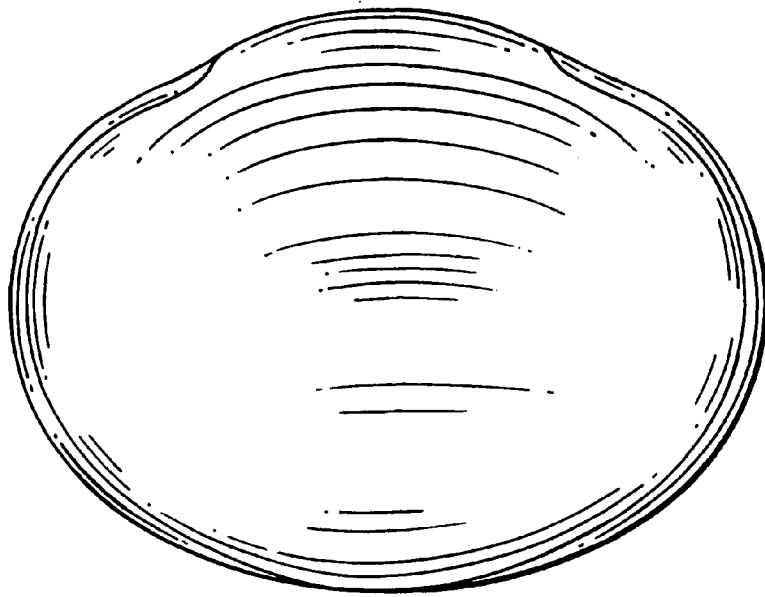


FIG. 5

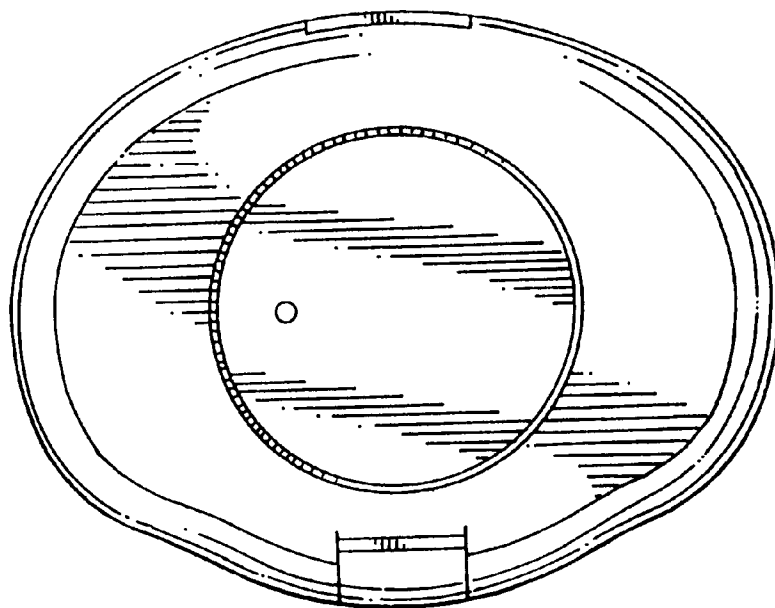


FIG. 6

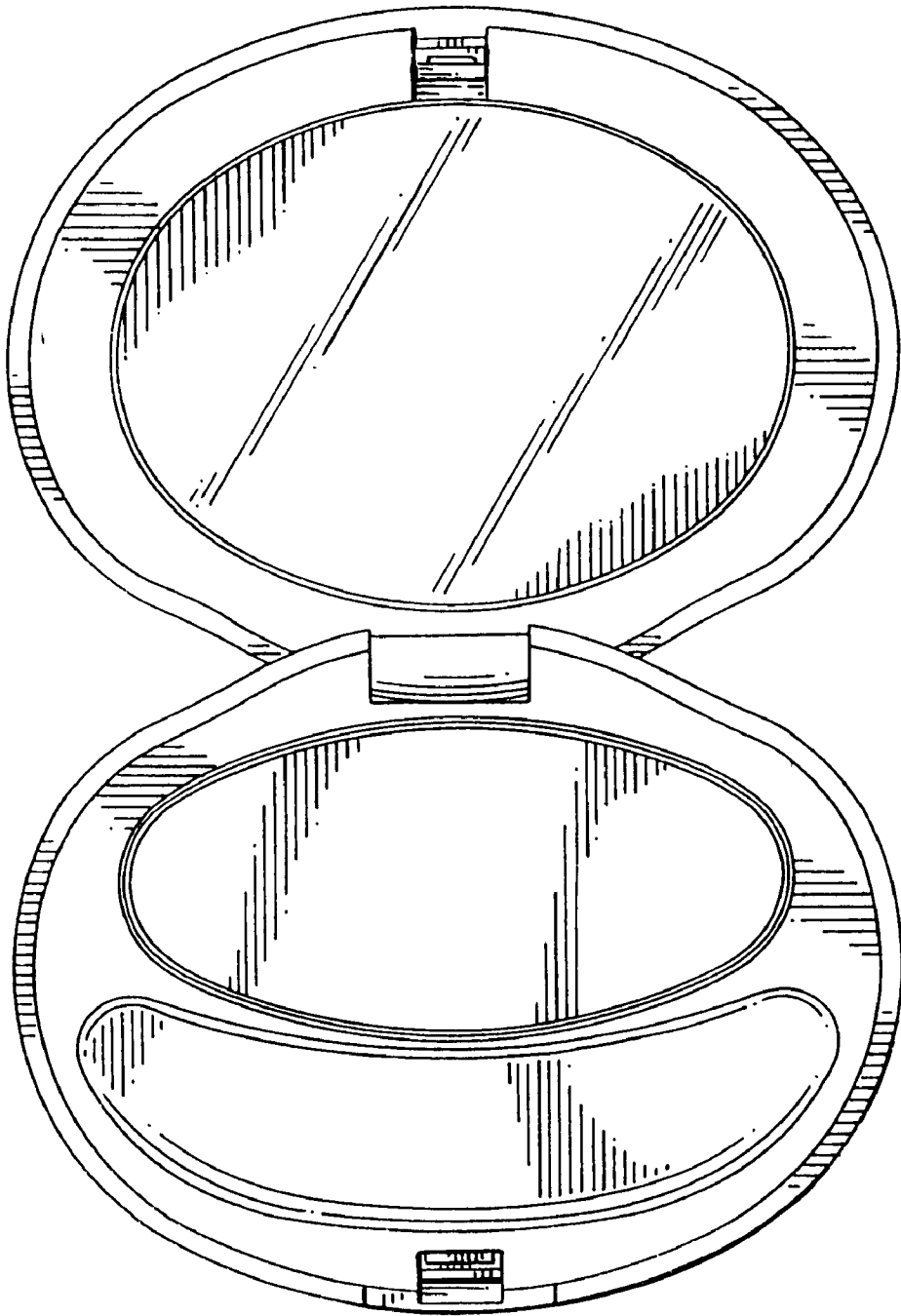


FIG. 7