



US00D879032S

(12) **United States Design Patent**
Yang et al.

(10) **Patent No.:** **US D879,032 S**

(45) **Date of Patent:** **** Mar. 24, 2020**

(54) **BATTERY PACK**

(71) Applicant: **LG Chem, Ltd.**, Seoul (KR)

(72) Inventors: **Kun Joo Yang**, Chungcheongbuk-do (KR); **Han Yong Jeong**, Seoul (KR); **Seog Jin Yoon**, Chungcheongbuk-do (KR)

(73) Assignee: **LG Chem, Ltd.** (KR)

(**) Term: **15 Years**

(21) Appl. No.: **29/628,476**

(22) Filed: **Dec. 5, 2017**

(30) **Foreign Application Priority Data**

Sep. 22, 2017 (KR) 30-2017-0044673

(51) **LOC (12) Cl.** **13-02**

(52) **U.S. Cl.**
USPC **D13/103**

(58) **Field of Classification Search**

USPC D13/102-106, 110, 118, 119, 184, 199,
D13/107, 108

CPC Y02E 60/12; Y02E 60/122; Y02E 60/124;
Y02E 60/50; H01M 2/02; H01M 2/022;
H01M 2/0202; H01M 2/0207; H01M
2/0212; H01M 2/1061; H01M 2/1022;
H01M 2/1055; H01M 2/1066; H01M
2/105; H01M 2/204; H01M 10/4257;
H01M 10/0436; H01M 10/48

See application file for complete search history.

(56) **References Cited**

U.S. PATENT DOCUMENTS

D292,576 S * 11/1987 Kump D13/106
D458,900 S * 6/2002 Carter D13/104
7,754,374 B2 * 7/2010 Hashida H01R 13/5213
429/151
D623,127 S * 9/2010 Seyama D13/104
9,564,663 B2 * 2/2017 Kim H01M 10/482

(Continued)

Primary Examiner — Rosemary K Tarcza
Assistant Examiner — Christy M Nemeth
(74) *Attorney, Agent, or Firm* — Lerner, David,
Littenberg, Krumholz & Mentlik, LLP

(57) **CLAIM**

The ornamental design for a battery pack, as shown and described.

DESCRIPTION

FIG. 1 is a front perspective view of a battery pack according to our design;

FIG. 2 is a front view thereof;

FIG. 3 is a rear view thereof;

FIG. 4 is a left side view thereof;

FIG. 5 is a right side view thereof;

FIG. 6 is a top view thereof;

FIG. 7 is a bottom view thereof;

FIG. 8 is an enlarged detail view of area 8 circumscribed within FIG. 1;

FIG. 9 is an enlarged detail view of area 9 circumscribed within FIG. 1;

FIG. 10 is an enlarged detail view of area 10 circumscribed within FIG. 1;

FIG. 11 is an enlarged detail view of area 11 circumscribed within FIG. 1;

FIG. 12 is an enlarged detail view of area 12 circumscribed within FIG. 2;

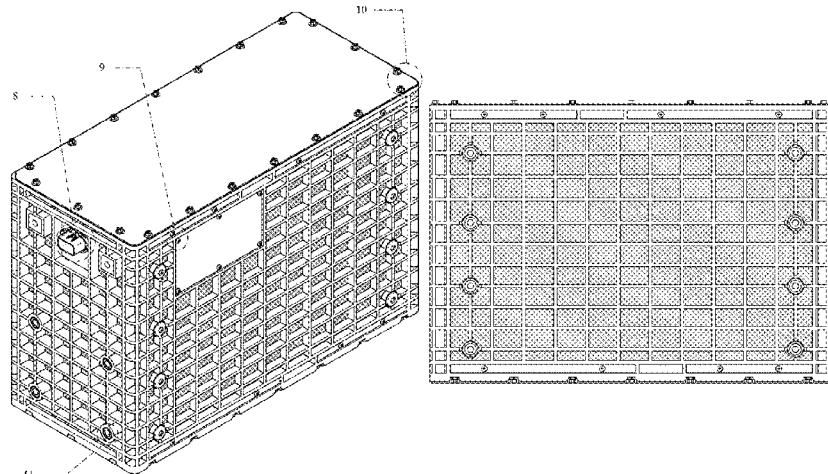
FIG. 13 is an enlarged detail view of area 13 circumscribed within FIG. 2;

FIG. 14 is an enlarged detail view of area 14 circumscribed within FIG. 5; and,

FIG. 15 is an enlarged detail view of area 15 circumscribed within FIG. 5.

The broken lines in the drawings are for the purpose of illustrating portions of the battery pack that form no part of the claimed design.

1 Claim, 15 Drawing Sheets



(56)

References Cited

U.S. PATENT DOCUMENTS

9,620,761	B2 *	4/2017	Smith	H01M 2/202
D795,180	S *	8/2017	Sato	D13/104
D823,798	S *	7/2018	Gleave	D13/110
D829,170	S *	9/2018	Gleave	D13/110
10,084,217	B2 *	9/2018	Merriman	H01M 10/6555
10,096,862	B2 *	10/2018	Motoi	H01M 4/20
10,096,867	B2 *	10/2018	Lee	H01M 2/10
2017/0162841	A1 *	6/2017	Lee	H02S 40/38

* cited by examiner

Figure 1

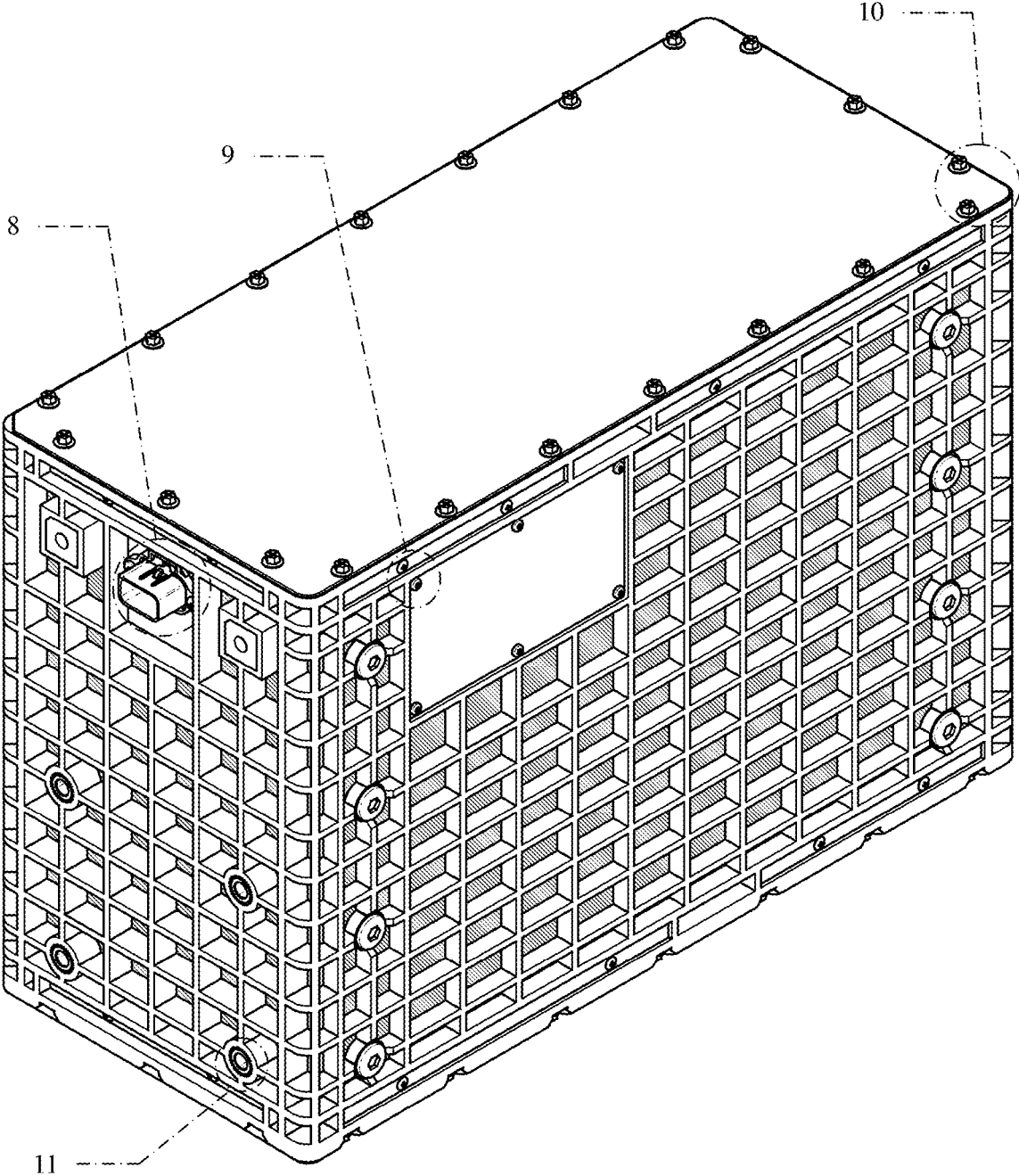


Figure 2

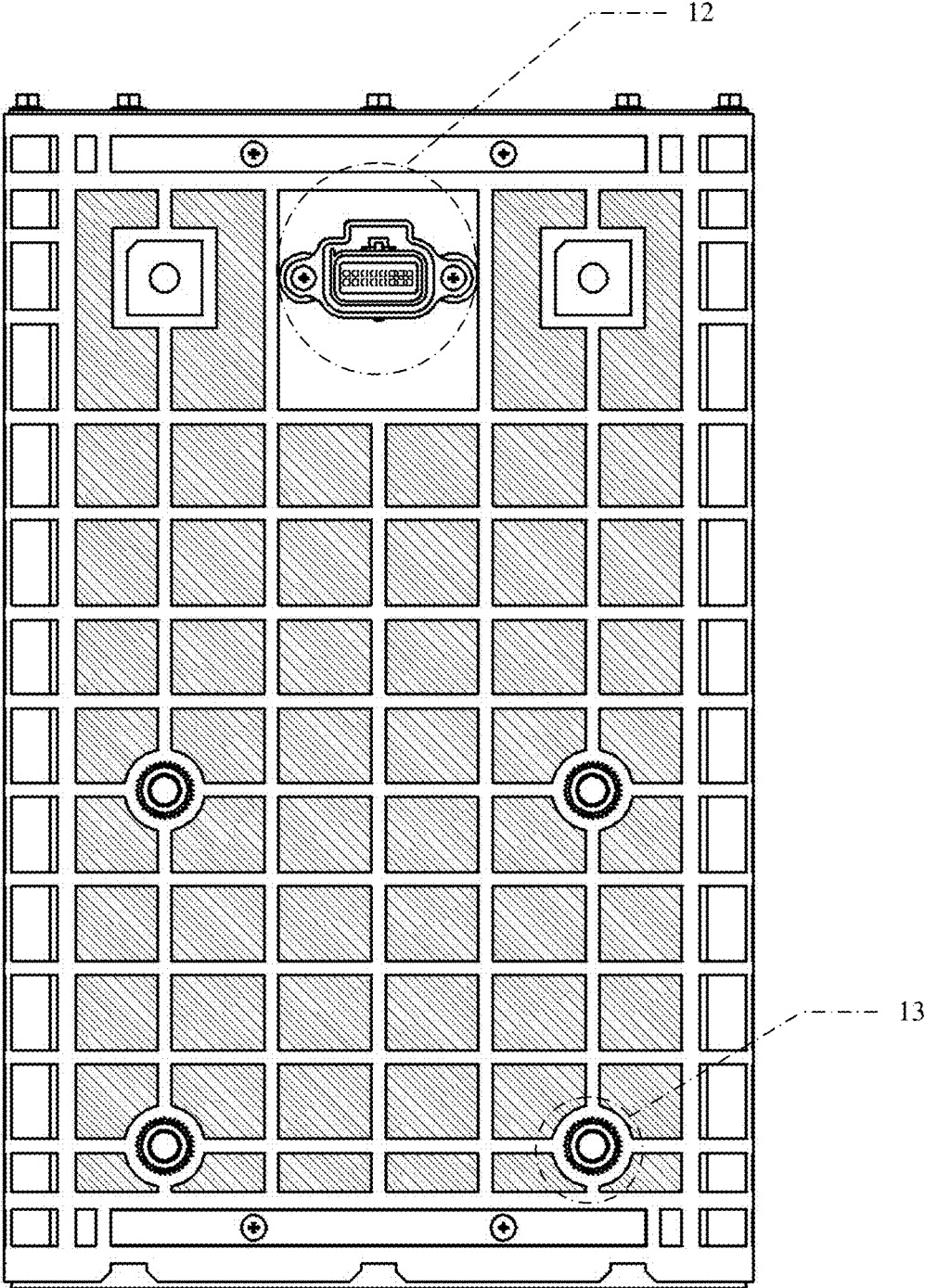


Figure 3

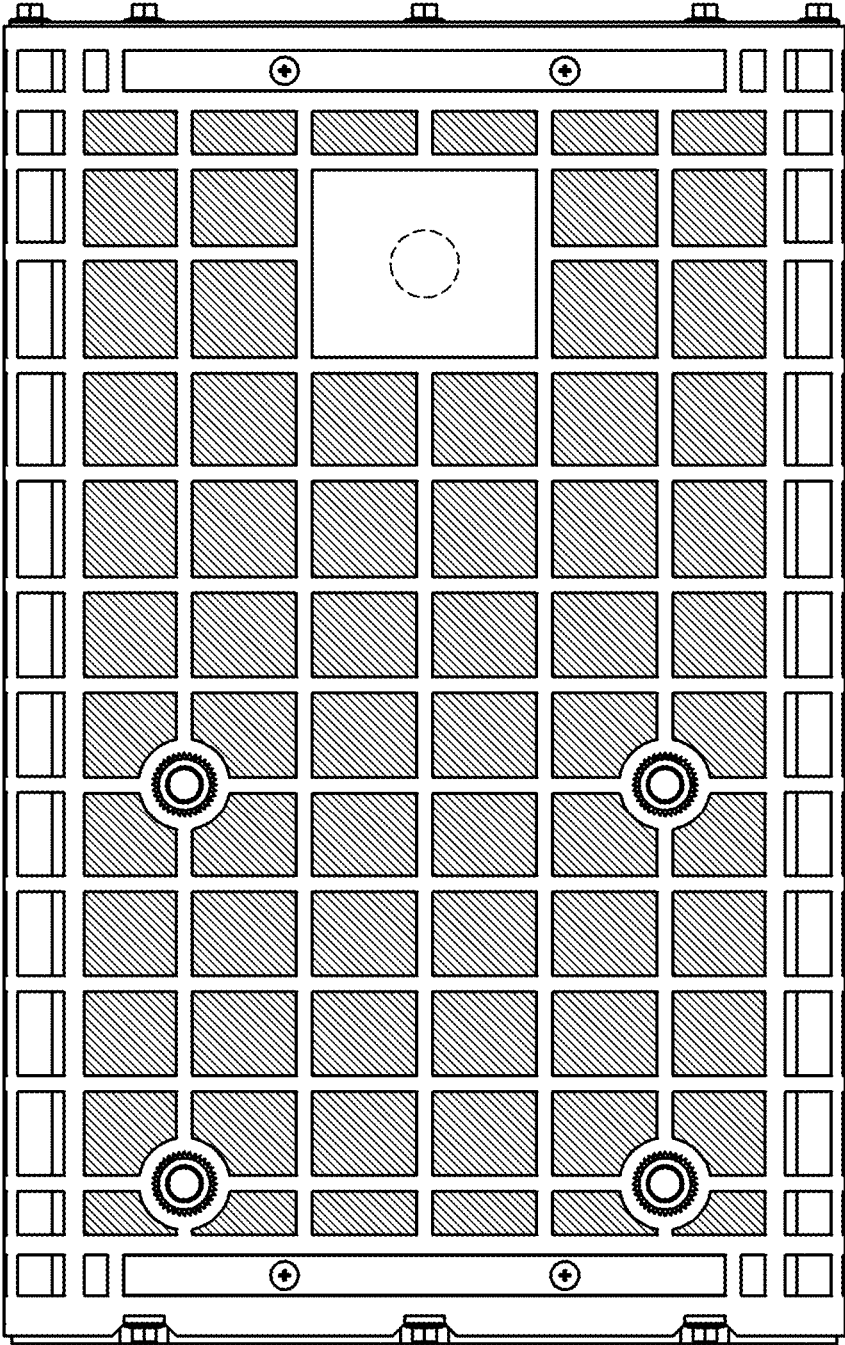


Figure 4

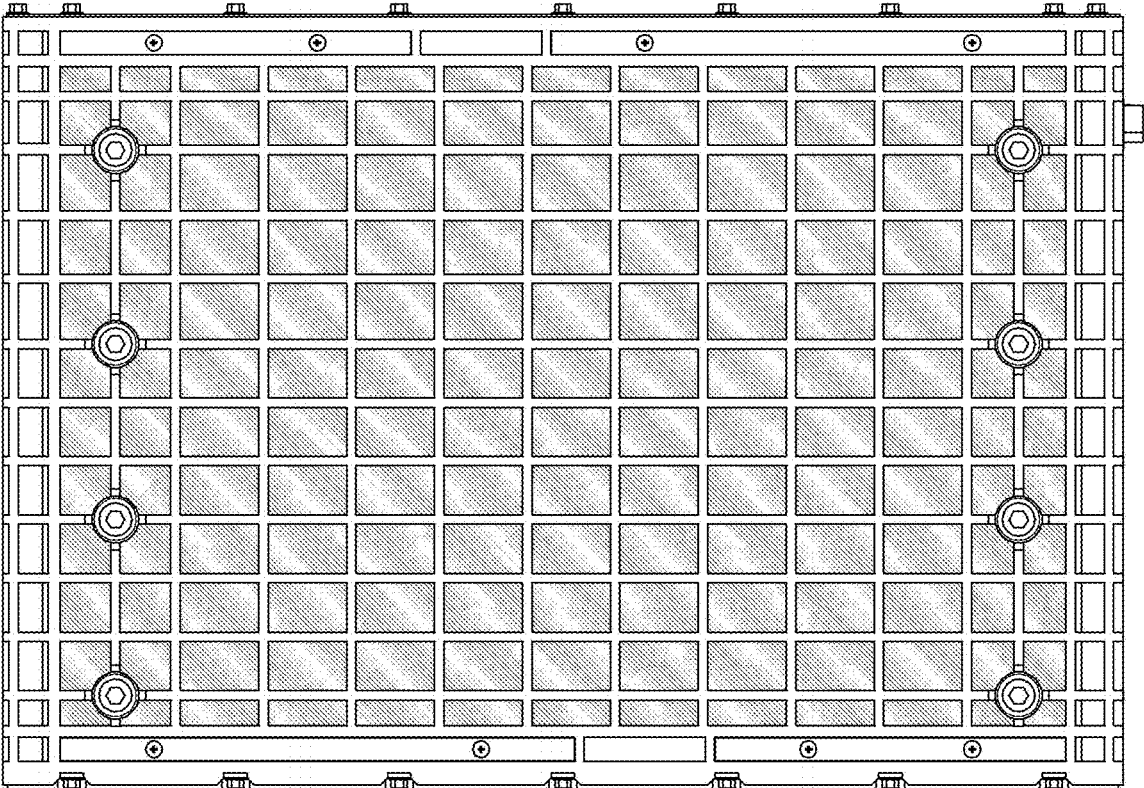


Figure 5

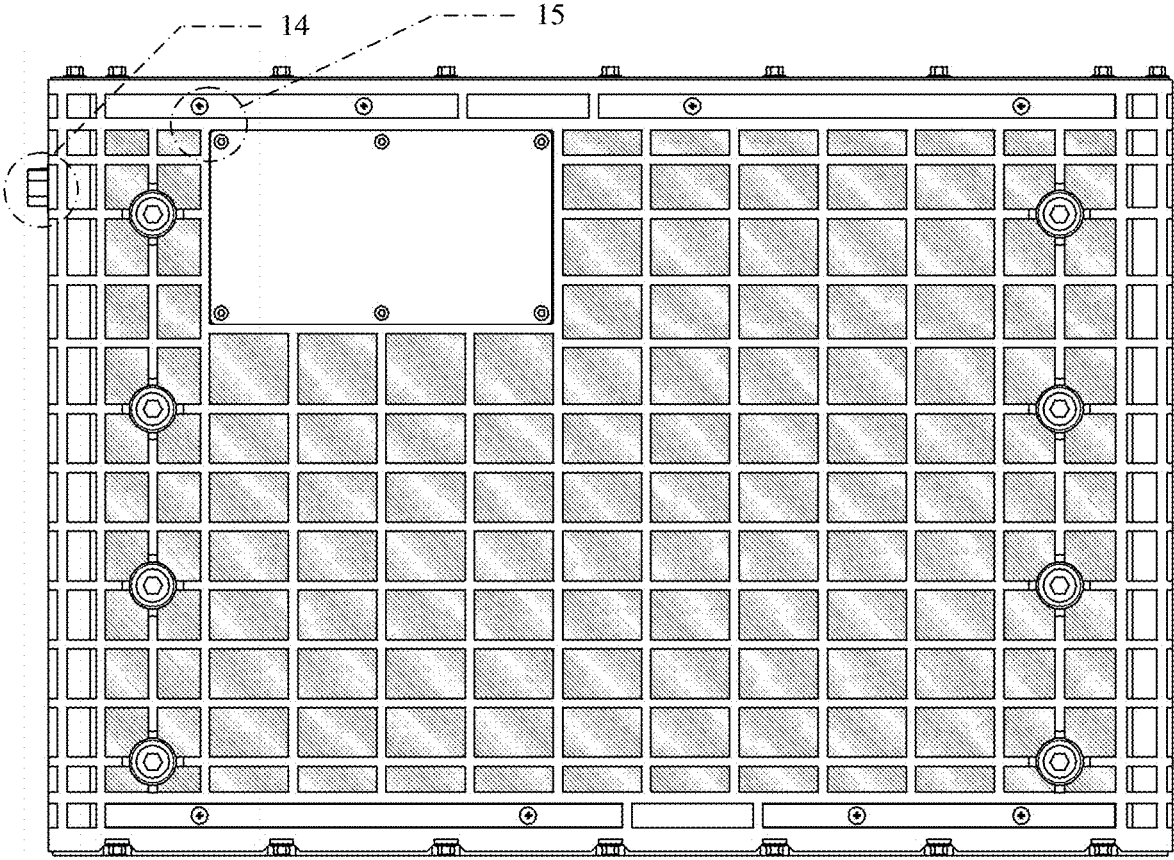


Figure 6

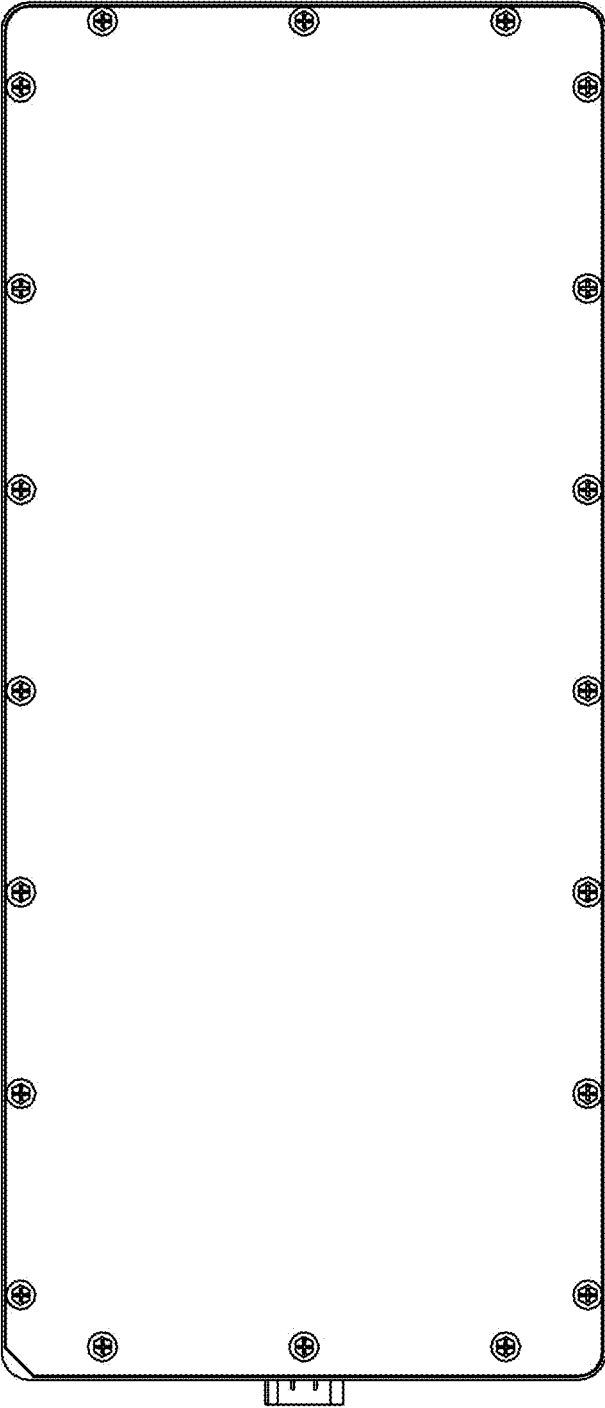


Figure 7

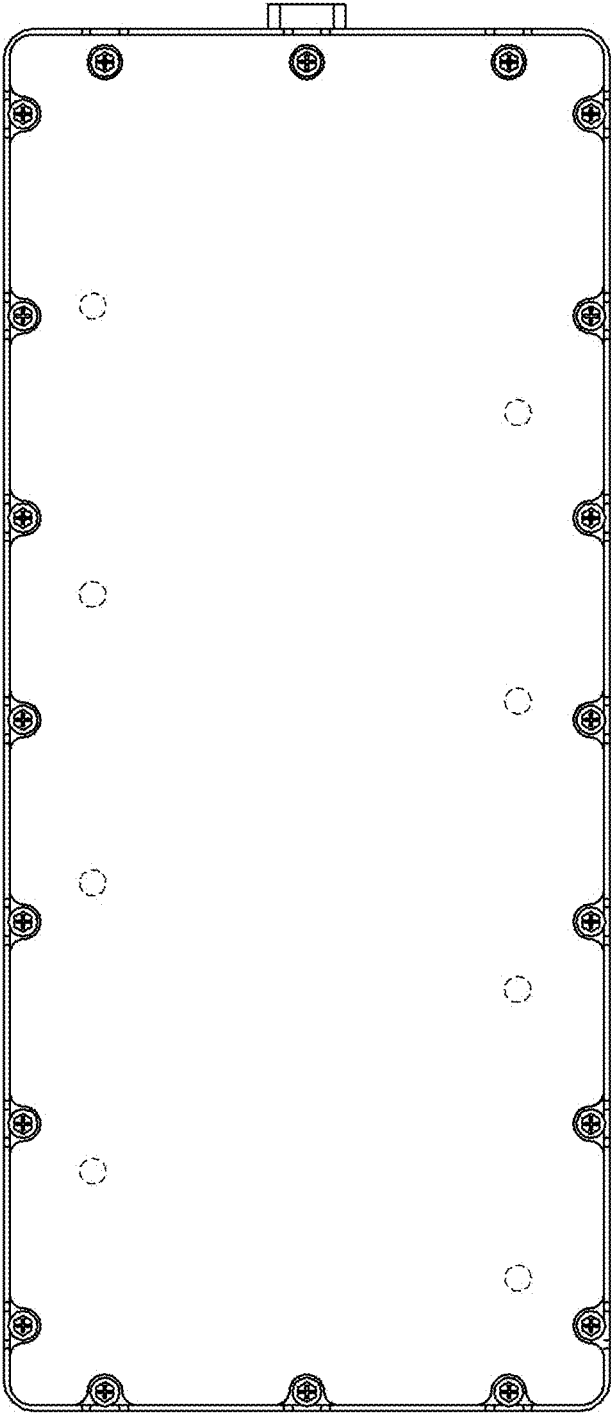


Figure 8

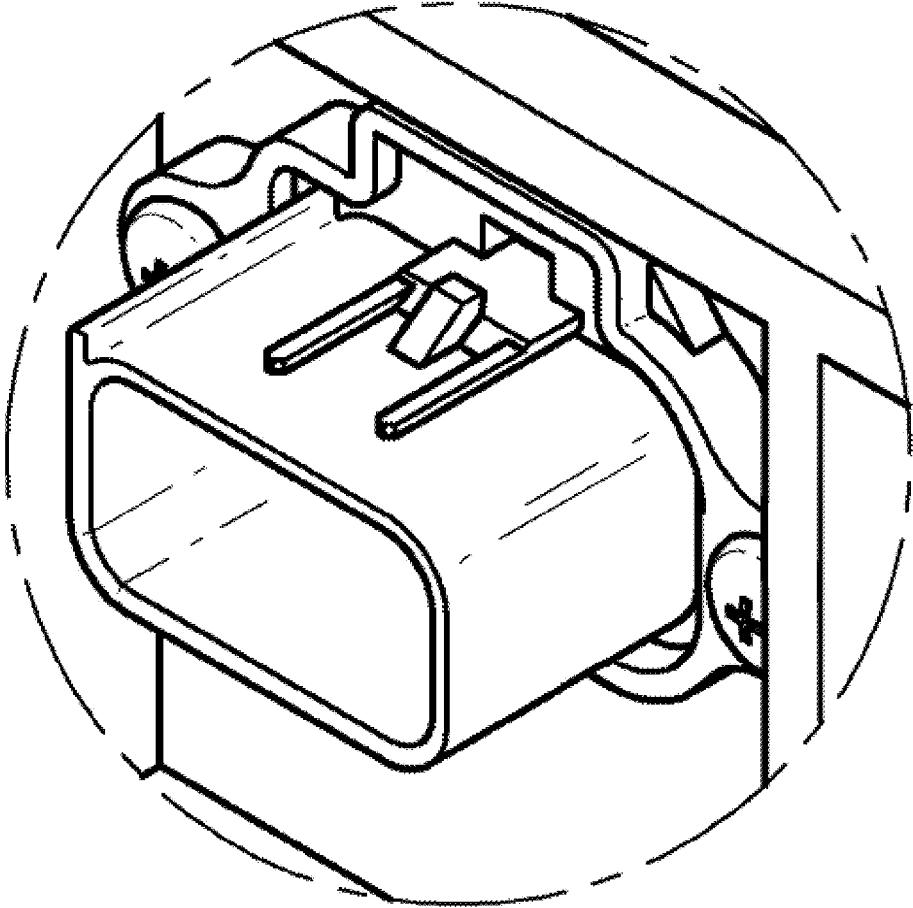


Figure 9

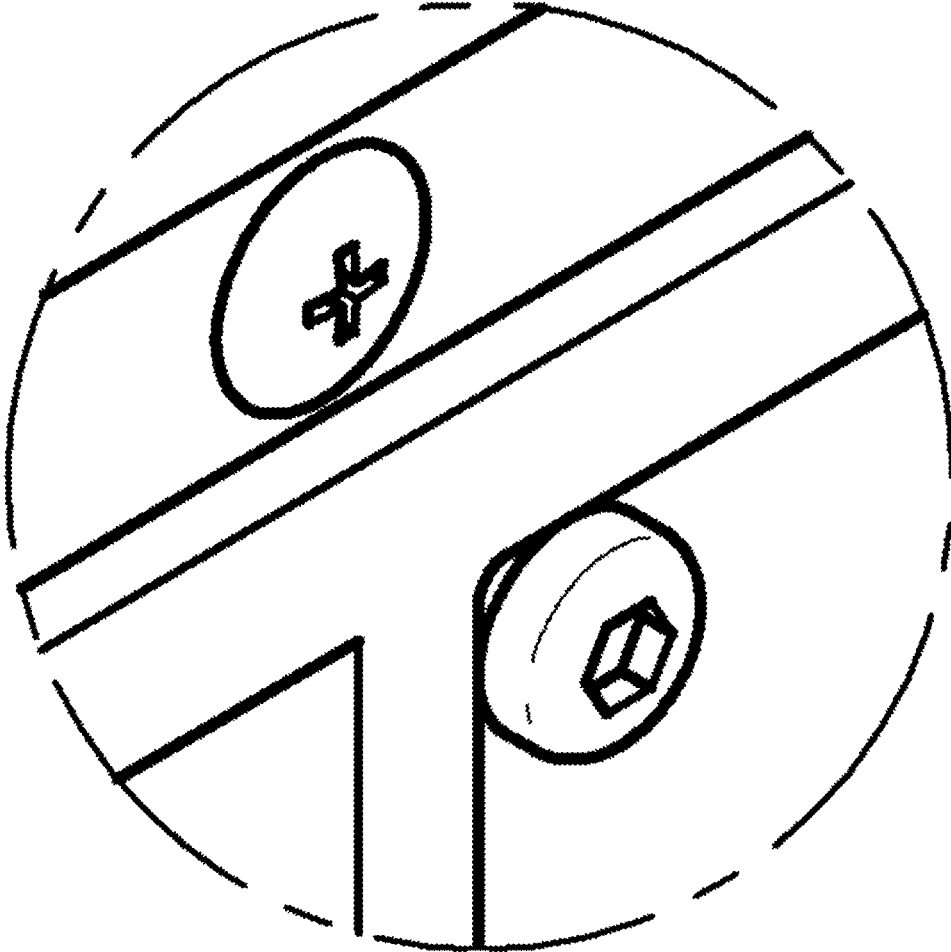


Figure 10

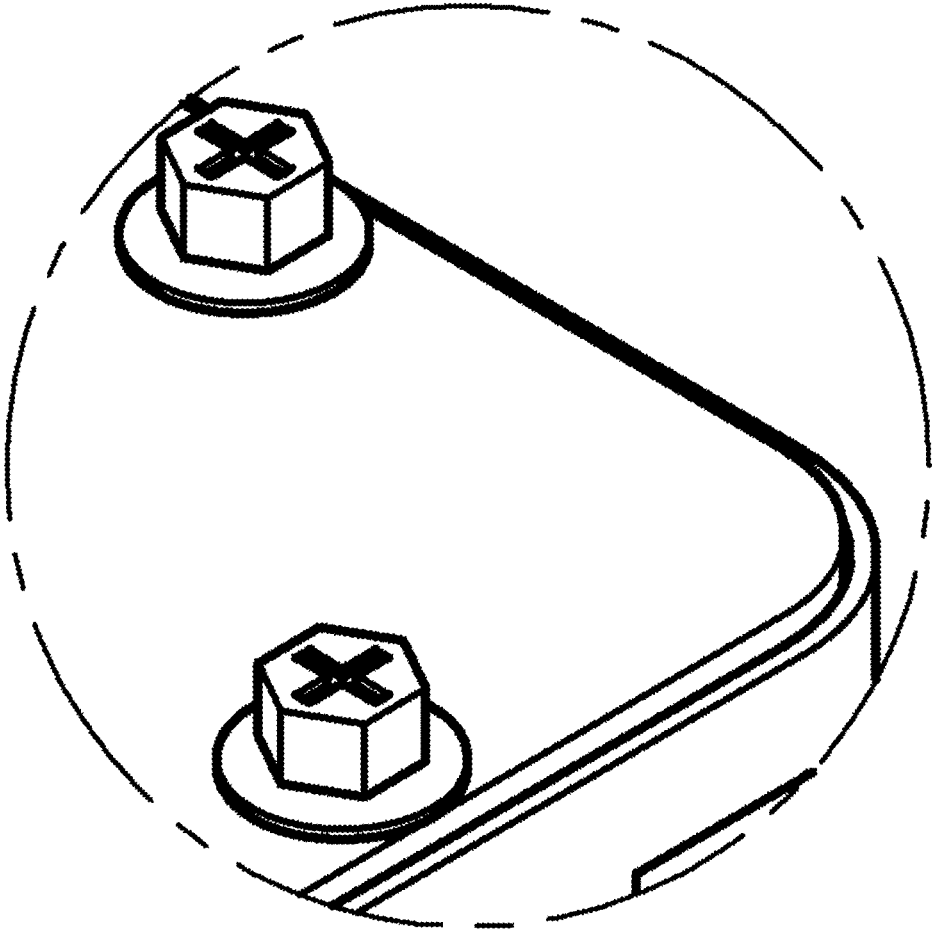


Figure 11

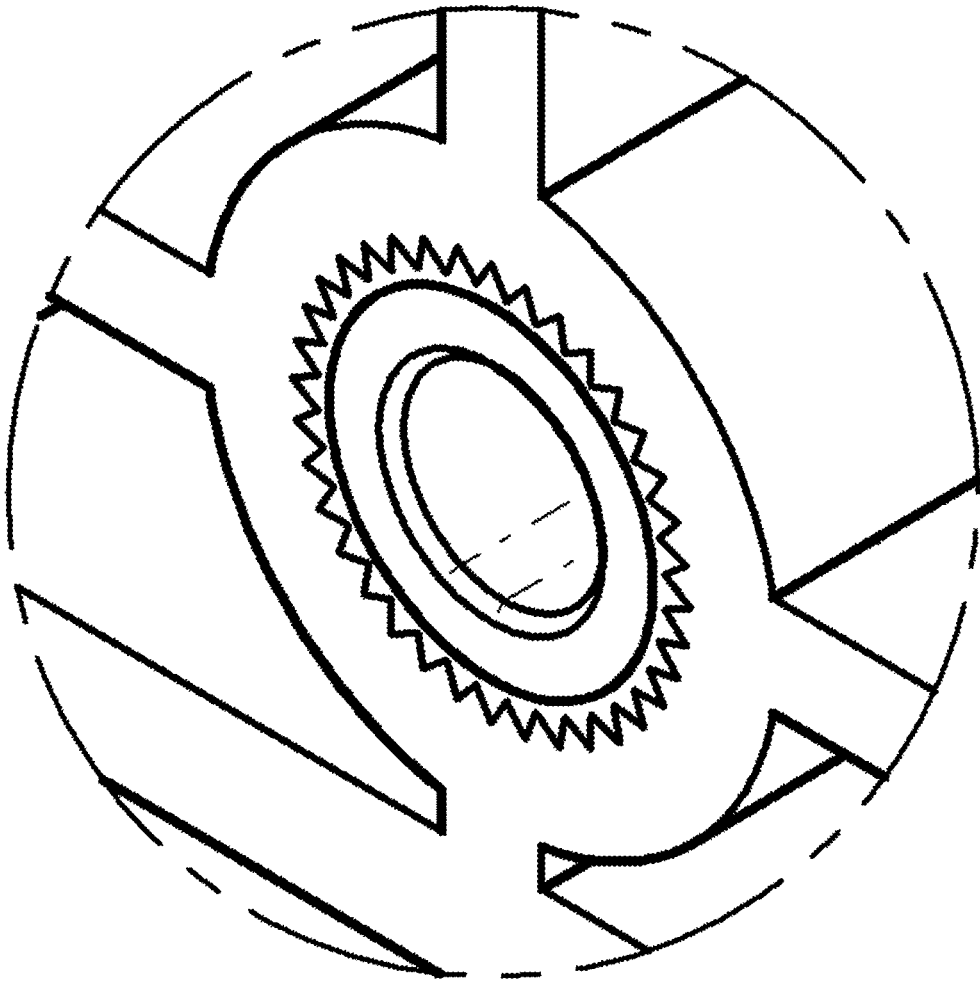


Figure 12

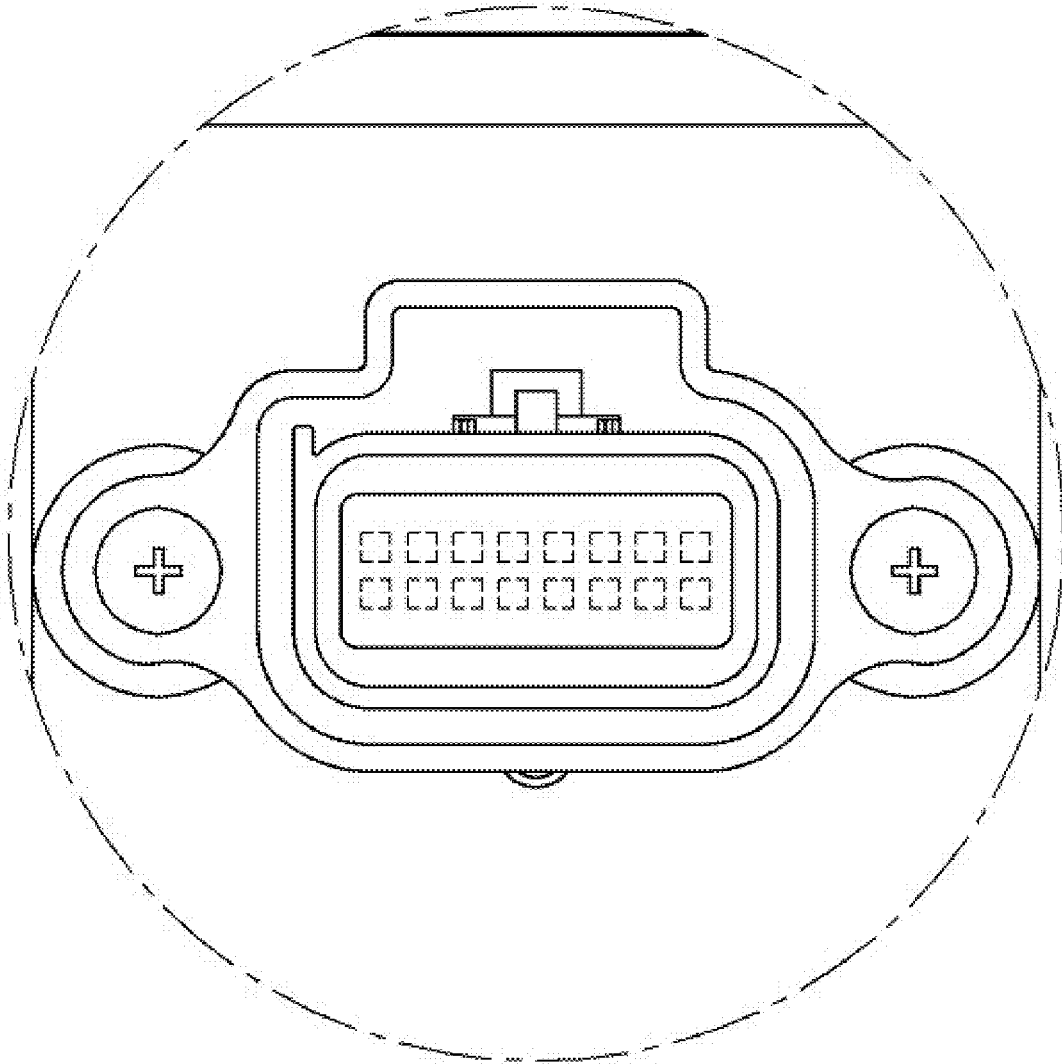


Figure 13

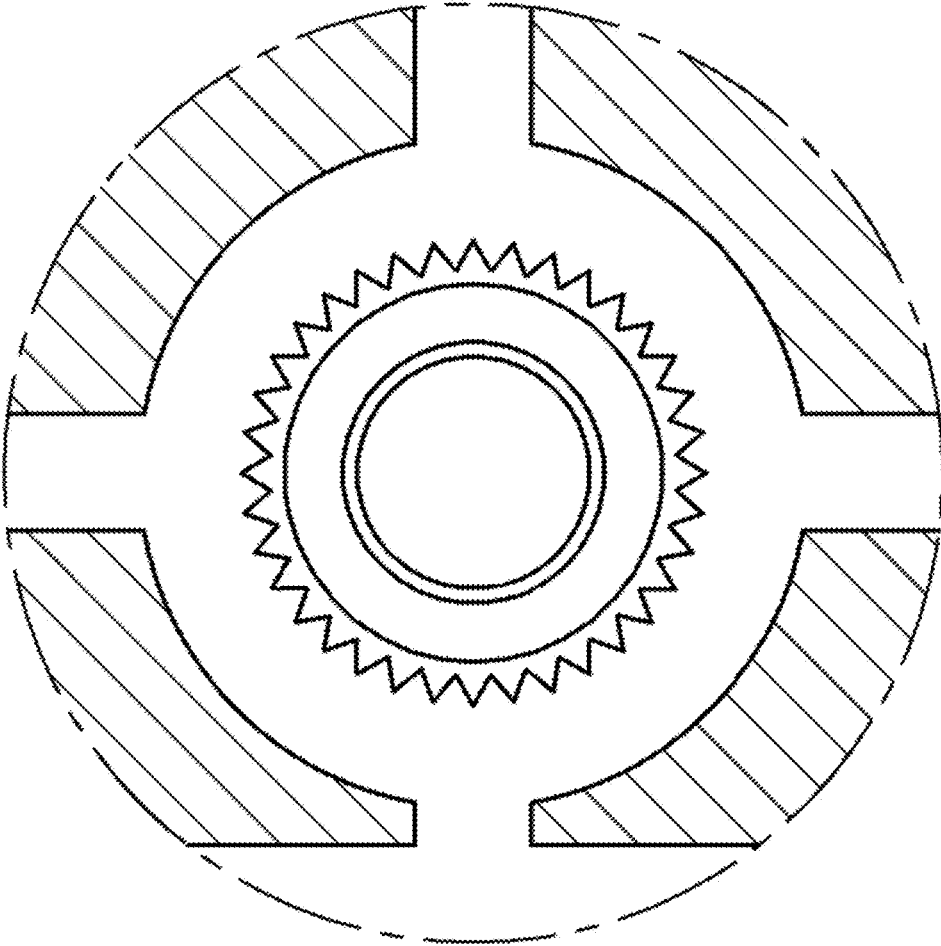


Figure 14

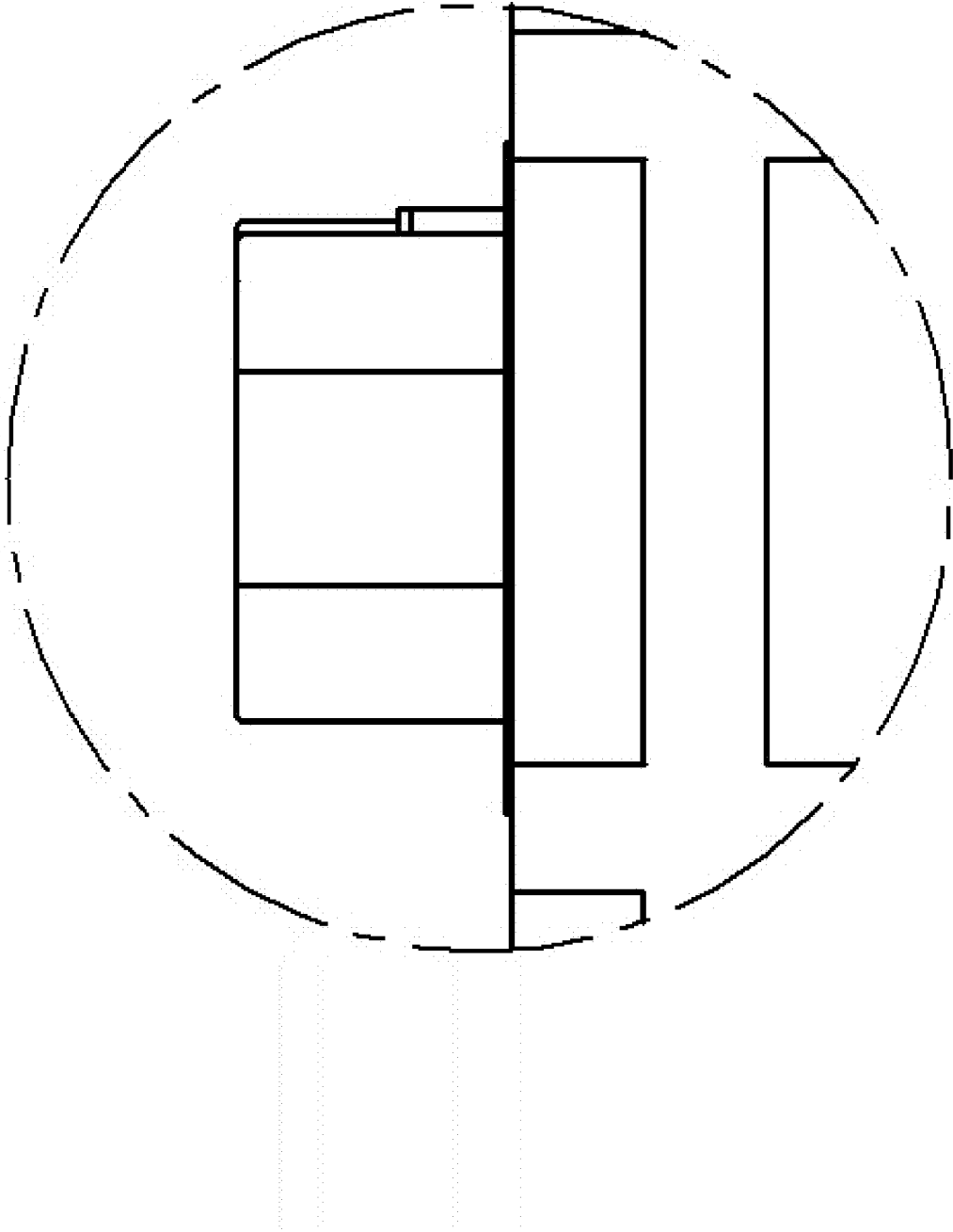


Figure 15

