

(19) World Intellectual Property Organization
International Bureau



(43) International Publication Date
10 January 2008 (10.01.2008)

PCT

(10) International Publication Number
WO 2008/005112 A3

- (51) International Patent Classification:
G05F 1/00 (2006.01) G01R 31/28 (2006.01)
- (21) International Application Number:
PCT/US2007/011880
- (22) International Filing Date: 18 May 2007 (18.05.2007)
- (25) Filing Language: English
- (26) Publication Language: English
- (30) Priority Data:

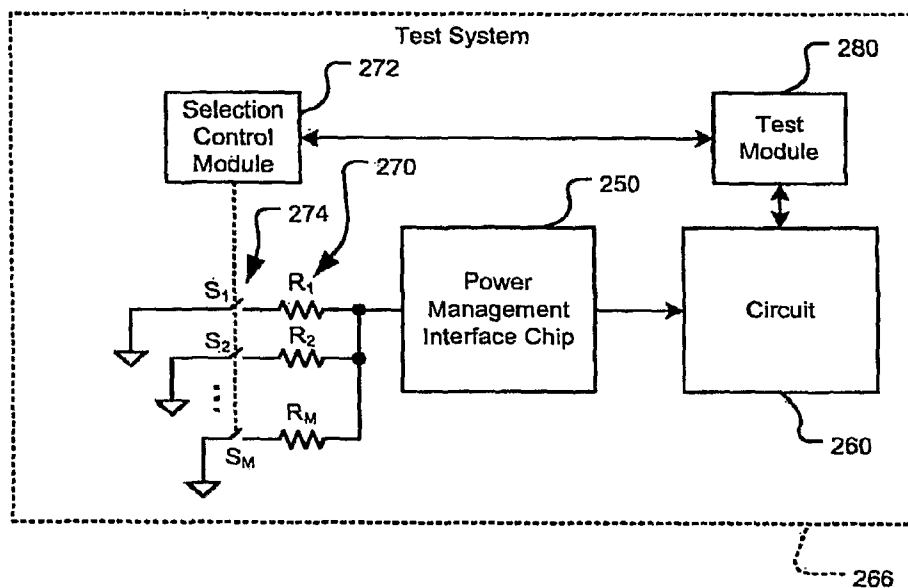
60/818,817	6 July 2006 (06.07.2006)	US
60/820,874	31 July 2006 (31.07.2006)	US
60/824,108	31 August 2006 (31.08.2006)	US
11/517,932	8 September 2006 (08.09.2006)	US
11/546,832	12 October 2006 (12.10.2006)	US
11/546,831	12 October 2006 (12.10.2006)	US
- (71) Applicant (for all designated States except US): MARVELL WORLD TRADE LTD. [BB/BB]; L Horizon Gun-site Road, Brittons Hill, St. Michael, BB 14027 (BB).
- (72) Inventor; and
- (75) Inventor/Applicant (for US only): SUTARDJA, Sehat [US/US]; 27330 Elena Road, Los Altos Hills, California 94022 (US).

- (74) Agents: WIGGINS, Michael D. et al.; Harness, Dickey & Pierce, P.l.c., P.O. Box 828, Bloomfield Hills, Michigan 48303 (US).
- (81) Designated States (unless otherwise indicated, for every kind of national protection available): AE, AG, AL, AM, AT, AU, AZ, BA, BB, BG, BH, BR, BW, BY, BZ, CA, CH, CN, CO, CR, CU, CZ, DE, DK, DM, DZ, EC, EE, EG, ES, FI, GB, GD, GE, GH, GM, GT, HN, HR, HU, ID, IL, IN, IS, JP, KE, KG, KM, KN, KP, KR, KZ, LA, LC, LK, LR, LS, LT, LU, LY, MA, MD, ME, MG, MK, MN, MW, MX, MY, MZ, NA, NG, NI, NO, NZ, OM, PG, PH, PL, PT, RO, RS, RU, SC, SD, SE, SG, SK, SL, SM, SV, SY, TJ, TM, TN, TR, TT, TZ, UA, UG, US, UZ, VC, VN, ZA, ZM, ZW.
- (84) Designated States (unless otherwise indicated, for every kind of regional protection available): ARIPO (BW, GH, GM, KE, LS, MW, MZ, NA, SD, SL, SZ, TZ, UG, ZM, ZW), Eurasian (AM, AZ, BY, KG, KZ, MD, RU, TJ, TM), European (AT, BE, BG, CH, CY, CZ, DE, DK, EE, ES, FI, FR, GB, GR, HU, IE, IS, IT, LT, LU, LV, MC, MT, NL, PL, PT, RO, SE, SI, SK, TR), OAPI (BF, BJ, CF, CG, CI, CM, GA, GN, GQ, GW, ML, MR, NE, SN, TD, TG).

Published:
— with international search report

[Continued on next page]

(54) Title: CONFIGURABLE VOLTAGE REGULATOR



(57) Abstract: A testing system comprises a configurable integrated circuit that selectively communicates with one or more of N external impedances, that has M predetermined configurations that are selected based on an electrical characteristic of the one or more of the N external impedances, where N and M are integers greater than one. The configurable integrated circuit generates a selected one of M discrete values of an output characteristic of the configurable integrated circuit based on the selected one of the M predetermined configurations. An integrated circuit is tested in accordance with an output of the configurable integrated circuit.

WO 2008/005112 A3



— *before the expiration of the time limit for amending the claims and to be republished in the event of receipt of amendments*

(88) Date of publication of the international search report:
20 March 2008

INTERNATIONAL SEARCH REPORT

International application No
PCT/US2007/011880

A. CLASSIFICATION OF SUBJECT MATTER
 INV. G05F1/00 G01R31/28

According to International Patent Classification (IPC) or to both national classification and IPC

B. FIELDS SEARCHED

Minimum documentation searched (classification system followed by classification symbols)
 G05F G01R

Documentation searched other than minimum documentation to the extent that such documents are included in the fields searched

Electronic data base consulted during the international search (name of data base and, where practical, search terms used)
 EPO-Internal, INSPEC, WPI Data

C. DOCUMENTS CONSIDERED TO BE RELEVANT

Category*	Citation of document, with indication, where appropriate, of the relevant passages	Relevant to claim No.
Y	US 2004/059528 A1 (SUTARDJA SEHAT [US]) 25 March 2004 (2004-03-25) the whole document -----	1-32
Y	WO 02/054094 A (ADVANCED MICRO DEVICES INC [US]) 11 July 2002 (2002-07-11) page 8, line 20 - page 8, line 37; figure 7 -----	1-32

Further documents are listed in the continuation of Box C. See patent family annex.

- * Special categories of cited documents :
- | | |
|--|--|
| <p>*A* document defining the general state of the art which is not considered to be of particular relevance</p> <p>*E* earlier document but published on or after the international filing date</p> <p>*L* document which may throw doubts on priority claim(s) or which is cited to establish the publication date of another citation or other special reason (as specified)</p> <p>*O* document referring to an oral disclosure, use, exhibition or other means</p> <p>*P* document published prior to the international filing date but later than the priority date claimed</p> | <p>*T* later document published after the international filing date or priority date and not in conflict with the application but cited to understand the principle or theory underlying the invention</p> <p>*X* document of particular relevance; the claimed invention cannot be considered novel or cannot be considered to involve an inventive step when the document is taken alone</p> <p>*Y* document of particular relevance; the claimed invention cannot be considered to involve an inventive step when the document is combined with one or more other such documents, such combination being obvious to a person skilled in the art.</p> <p>* & * document member of the same patent family</p> |
|--|--|

Date of the actual completion of the international search 11 January 2008	Date of mailing of the international search report 24/01/2008
--	--

Name and mailing address of the ISA/ European Patent Office, P.B. 5818 Patentlaan 2 NL - 2280 HV Rijswijk Tel. (+31-70) 340-2040, Tx. 31 651 epo nl, Fax: (+31-70) 340-3016	Authorized officer Meggyesi, Zoltán
---	--

INTERNATIONAL SEARCH REPORT

Information on patent family members

International application No

PCT/US2007/011880

Patent document cited in search report	Publication date	Patent family member(s)	Publication date
US 2004059528 A1	25-03-2004	US 2006009933 A1	12-01-2006
WO 02054094 A	11-07-2002	US 2002121913 A1	05-09-2002