

[54] **TAMPER RESISTANT CAP**

[75] **Inventor: Gerald Zinnbauer, Toledo, Ohio**

[73] **Assignee: Kardon Industries, Inc., Philadelphia, Pa.**

[**] **Term: 14 Years**

[21] **Appl. No.: 897,148**

[22] **Filed: Aug. 15, 1986**

[52] **U.S. Cl. D9/438; D9/453**

[58] **Field of Search D9/448, 447, 452, 453, D9/454; 215/252, 256, 253, 211**

[56] **References Cited**

U.S. PATENT DOCUMENTS

D. 051,893	3/1918	Temple et al.	D9/454
D. 116,857	9/1939	Mann	D9/454
D. 233,507	11/1974	Stevens, Jr.	D9/453
D. 280,492	9/1985	Greaves et al.	D9/453
3,957,169	5/1976	Coursaut	215/253
4,059,198	11/1977	Mumford	215/211
4,529,096	7/1985	Chortier et al.	215/252
4,591,062	5/1986	Sandhaus	215/230

OTHER PUBLICATIONS

Modern Packaging; 6/82; p. 35, Pepsi Bottle Cap.

Primary Examiner—B. J. Bullock

Assistant Examiner—Dominic Simone

Attorney, Agent, or Firm—Volpe and Koenig

[57] **CLAIM**

The ornamental design for a tamper resistant cap, as shown and described.

DESCRIPTION

FIG. 1 is top perspective view of a tamper resistant cap, showing my new design;

FIG. 2 is a front elevational view thereof;

FIG. 3 is a rear elevational view thereof;

FIG. 4 is a right side elevational view thereof, the left side being identical;

FIG. 5 is a top plan view thereof;

FIG. 6 is a bottom plan view thereof;

FIG. 7 is a top perspective view of a second embodiment of the tamper resistant cap shown in FIG. 1;

FIG. 8 is a front elevational view of FIG. 7;

FIG. 9 is a rear elevational view of FIG. 7;

FIG. 10 is a right side elevational view of FIG. 7, the left side being identical;

FIG. 11 is a top plan view of FIG. 7;

FIG. 12 is a bottom plan view of FIG. 7.

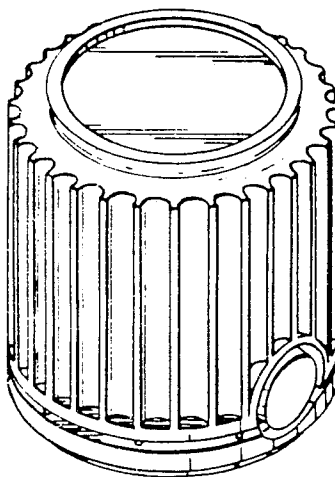


FIG. 1

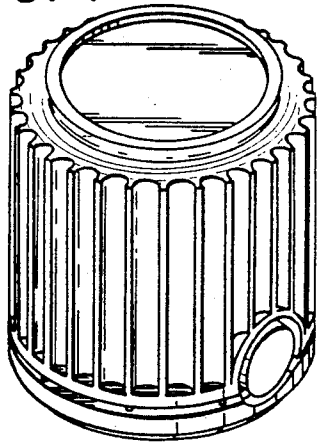


FIG. 2

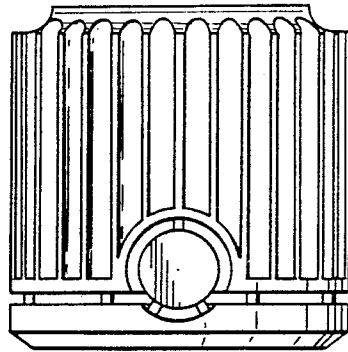


FIG. 3

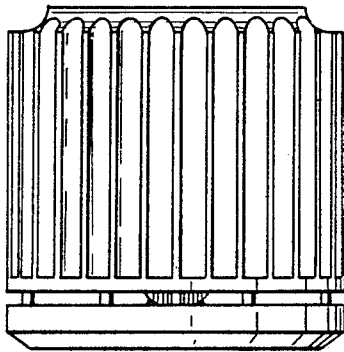


FIG. 4

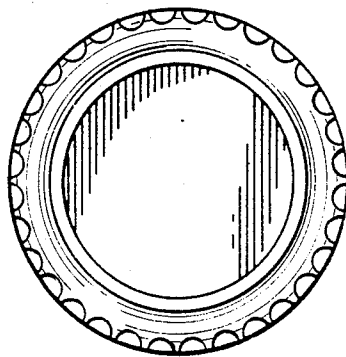
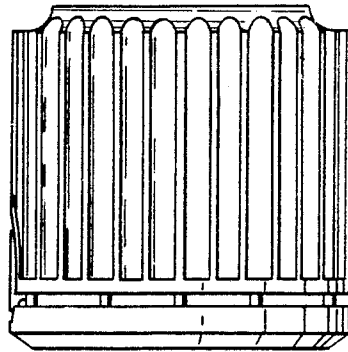


FIG. 5

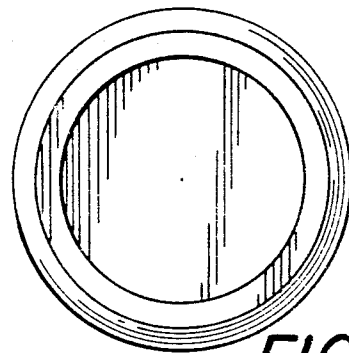


FIG. 6

FIG. 7

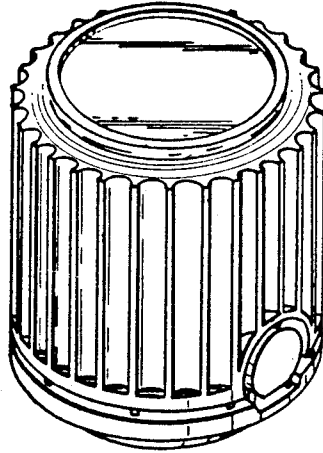


FIG. 8

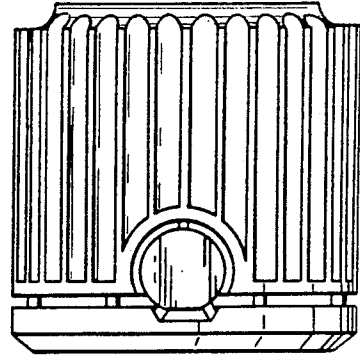


FIG. 9

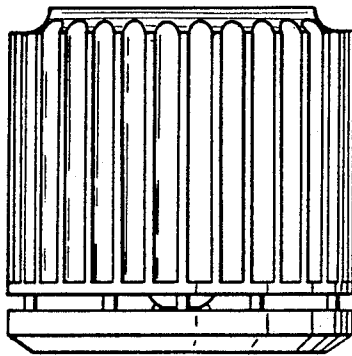


FIG. 10

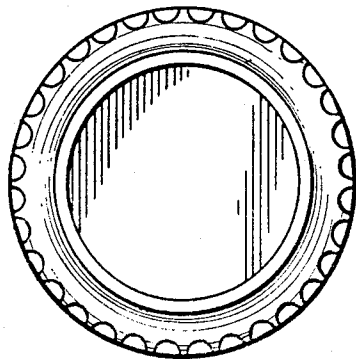
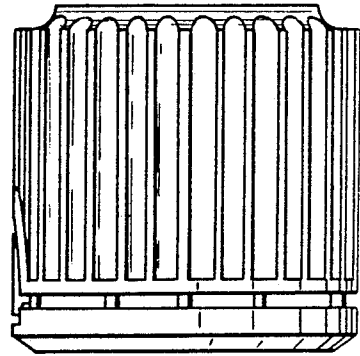


FIG. 11

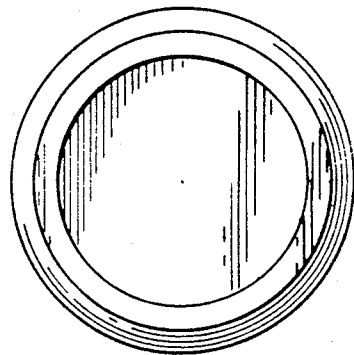


FIG. 12