



US0D1033520S

(12) **United States Design Patent**  
**Alberstein et al.**

(10) **Patent No.:** **US D1,033,520 S**

(45) **Date of Patent:** **\*\* Jul. 2, 2024**

(54) **CAMERA HOUSING**

FOREIGN PATENT DOCUMENTS

(71) Applicant: **GoPro, Inc.**, San Mateo, CA (US)  
(72) Inventors: **Scott Alberstein**, San Francisco, CA (US); **Daniel J. Coster**, Oakura (NZ)

CN 302944108 5/2014  
CN 303933789 6/2016  
GB 4034453 3/2014

(73) Assignee: **GoPro, Inc.**, San Mateo, CA (US)

(\*\*) Term: **15 Years**

(21) Appl. No.: **29/922,364**

(22) Filed: **Dec. 21, 2023**

OTHER PUBLICATIONS

Action Video Suction Cup. [online] Published date Oct. 23, 2014. Retrieved on Nov. 2, 2016 from <URL: <[https://www.amazon.com/Suction-Locking-JOBY-Easy-Anti-Vibration-Cameras/dp/B0008R7A72/ref=pd\\_sim\\_421\\_2?encoding=UTF8&pd\\_rd\\_i=B0008R7A72&pd\\_rd\\_r=AGCVZH2ZHQKHT5BBX2GZ&pdrd\\_w=7Jkpc&pdrd\\_wg=OMKYF&psc=1&refRID=AGCVZH2ZHQKHT5BBX2GZ](https://www.amazon.com/Suction-Locking-JOBY-Easy-Anti-Vibration-Cameras/dp/B0008R7A72/ref=pd_sim_421_2?encoding=UTF8&pd_rd_i=B0008R7A72&pd_rd_r=AGCVZH2ZHQKHT5BBX2GZ&pdrd_w=7Jkpc&pdrd_wg=OMKYF&psc=1&refRID=AGCVZH2ZHQKHT5BBX2GZ)>. (9 pages).

(Continued)

**Related U.S. Application Data**

(60) Continuation of application No. 29/771,324, filed on Feb. 22, 2021, now Pat. No. Des. 1,014,603, which is a division of application No. 29/705,673, filed on Sep. 13, 2019, now Pat. No. Des. 911,412.

*Primary Examiner* — Ramzi Almatrahi

(74) *Attorney, Agent, or Firm* — Young Basile Hanlon & MacFarlane, P.C.

(51) **LOC (14) Cl.** ..... **16-01**

(52) **U.S. Cl.** ..... **D16/200**  
USPC ..... **D16/200**

(57) **CLAIM**

The ornamental design for a camera housing, as shown and described.

(58) **Field of Classification Search**

USPC ..... D16/200, 202–208, 218, 219, 237  
CPC ..... G03B 17/02; G03B 19/04; G03B 17/56;  
G03B 17/04; G03B 15/03; H04N 7/181;  
H04N 7/183; H04N 7/18; H04N 23/50;  
H04N 23/51; H04N 23/54; H04N 23/55;  
H04N 23/62; H04N 23/63

**DESCRIPTION**

FIG. 1 is a top, front and right side perspective view of a camera housing showing our new design;  
FIG. 2 is a bottom, rear and left side perspective view thereof;  
FIG. 3 is a front elevation view thereof;  
FIG. 4 is a rear elevation view thereof;  
FIG. 5 is a left side elevation view thereof;  
FIG. 6 is a right side elevation view thereof;  
FIG. 7 is a top plan view thereof; and,  
FIG. 8 is a bottom plan view thereof.  
The broken lines depict portions of the camera housing in which the design is embodied that form no part of the claimed design.

See application file for complete search history.

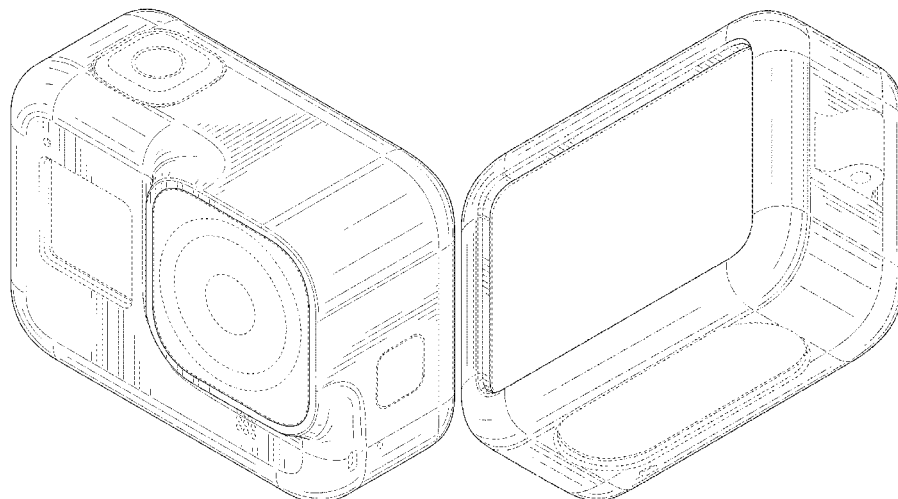
(56) **References Cited**

**U.S. PATENT DOCUMENTS**

679,881 A 8/1901 Bullard  
1,467,556 A 9/1923 Nagel  
1,612,277 A 12/1926 Leo  
2,336,104 A 12/1943 Laube  
4,341,452 A 7/1982 Korling  
D265,829 S 8/1982 Shimoda  
4,646,141 A 2/1987 Timmermans  
4,763,151 A 8/1988 Klinger

(Continued)

**1 Claim, 5 Drawing Sheets**



(56)

## References Cited

## U.S. PATENT DOCUMENTS

D298,760	S	11/1988	Yoshida	D759,145	S	6/2016	Lee
5,092,552	A	3/1992	Dayton	D760,309	S	6/2016	Parfitt
5,325,139	A	6/1994	Matsumoto	D760,312	S	6/2016	Lee
D349,126	S	7/1994	Lee	9,360,742	B1	6/2016	Harrison
5,353,079	A	10/1994	Sakai	D762,759	S	8/2016	Wu
5,576,781	A	11/1996	Deleeuw	D763,941	S	8/2016	Smith
5,738,321	A	4/1998	Moriyasu	D768,228	S	10/2016	Muhlenkamp, IV
D441,386	S	5/2001	Yamazaki	D768,752	S	10/2016	Silver
6,347,893	B1	2/2002	Shiono	D768,754	S	10/2016	Bennett
D469,338	S	1/2003	Chace	D769,346	S	10/2016	Nguyen
D491,968	S	6/2004	Isshiki	9,470,908	B1	10/2016	Frankel
D492,953	S	7/2004	Mitsuse	D773,546	S	12/2016	Nguyen
D499,131	S	11/2004	Tania	D776,738	S	1/2017	Clearman
D504,904	S	5/2005	Nagai	D776,741	S	1/2017	Parfitt
6,889,006	B2	5/2005	Kobayashi	D777,239	S	1/2017	Costa
D515,121	S	2/2006	Bleau	D778,335	S	2/2017	Gioscia
D550,741	S	9/2007	Vernon	D783,079	S	4/2017	Lee
D563,486	S	3/2008	Slater	D785,068	S	4/2017	Patsis
D582,955	S	12/2008	Sekine	9,635,226	B2	4/2017	Samuels
7,537,399	B2	5/2009	Mayumi	D785,696	S	5/2017	Parfitt
D594,050	S	6/2009	Grtnr	D785,697	S	5/2017	Costa
7,621,680	B2	11/2009	Frick	D788,208	S	5/2017	Muhlenkamp, IV
D616,480	S	5/2010	Ookawa	9,661,200	B2	5/2017	O'Neill
8,014,656	B2	9/2011	Woodman	D789,435	S	6/2017	Nguyen
D646,313	S	10/2011	Woodman	D789,999	S	6/2017	Yakabe
D647,554	S	10/2011	Yim	D790,000	S	6/2017	Wang
D647,935	S	11/2011	Raken	D790,002	S	6/2017	Nguyen
D653,687	S	2/2012	Yu	D800,815	S	10/2017	Clearman
D657,808	S	4/2012	Woodman	D800,819	S	10/2017	Parfitt
D674,428	S	1/2013	Woodman	9,816,666	B2	11/2017	Wang
D684,569	S	6/2013	Willenborg	D806,775	S	1/2018	Nguyen
8,467,675	B2	6/2013	Chen	D808,163	S	1/2018	Song
D692,507	S	10/2013	Meys	9,880,451	B2	1/2018	Clearman
8,544,643	B2	10/2013	Yim	9,894,278	B2	2/2018	Wei
8,596,890	B2	12/2013	Yim	9,894,279	B2	2/2018	Wei
D699,276	S	2/2014	Samuels	9,903,533	B2	2/2018	Wei
D699,277	S	2/2014	Samuels	D816,751	S	5/2018	Harrison
D702,747	S	4/2014	Woodman	D819,117	S	5/2018	Lee
8,687,299	B1	4/2014	Sanford	D821,476	S	6/2018	Martin
8,718,457	B2	5/2014	Clark	D821,481	S	6/2018	Gioscia
D706,603	S	6/2014	Kokawa	D827,696	S	9/2018	Crow
D710,921	S	8/2014	Gioscia	D827,697	S	9/2018	Crow
D710,922	S	8/2014	Gioscia	10,101,637	B2	10/2018	Peddecord
8,794,579	B2	8/2014	Sturman	D835,910	S	12/2018	Eliyahu
D722,097	S	2/2015	Kim	D837,861	S	1/2019	Luo
D724,637	S	3/2015	Samuels	D840,463	S	2/2019	Nguyen
D724,638	S	3/2015	Samuels	D846,620	S	4/2019	Katori
D725,169	S	3/2015	Gioscia	D848,500	S	5/2019	Miyashita
D727,387	S	4/2015	Hasegawa	D849,084	S	5/2019	Hu
9,004,783	B1	4/2015	Woodman	D850,520	S	6/2019	Voss
D730,423	S	5/2015	Vandenbussche	D854,597	S	7/2019	Gao
D732,593	S	6/2015	Woodman	D856,391	S	8/2019	Liu
D732,601	S	6/2015	Coyle	D861,761	S	10/2019	Bergman
D733,787	S	7/2015	Baker	10,447,905	B2	10/2019	Patrick
D733,788	S	7/2015	Baker	D867,420	S	11/2019	Zhang
D736,848	S	8/2015	Kim	D868,131	S	11/2019	Hu
D737,647	S	9/2015	Elder	D868,871	S	12/2019	Nguyen
D739,451	S	9/2015	Gioscia	D869,539	S	12/2019	Hu
D740,876	S	10/2015	Woodman	D871,480	S	12/2019	Hu
D741,394	S	10/2015	Gioscia	D872,156	S	1/2020	Zhao
9,195,023	B2	11/2015	Patrick	D880,567	S	4/2020	Zhang
D745,589	S	12/2015	Lee	D880,569	S	4/2020	Zhang
D749,164	S	2/2016	Raccah	D881,254	S	4/2020	Guo
D750,146	S	2/2016	Costa	D884,061	S	5/2020	Arens
D750,680	S	3/2016	Chen	D888,792	S	6/2020	Luo
D750,687	S	3/2016	Samuels	D890,835	S	7/2020	Nguyen
D752,671	S	3/2016	Harrison	10,827,809	B2	11/2020	Skahan
D752,672	S	3/2016	Clearman	D904,498	S	12/2020	Lim
9,282,226	B2	3/2016	Samuels	D907,680	S	1/2021	Nguyen
D754,230	S	4/2016	Mori	D908,778	S	1/2021	Xu
D754,240	S	4/2016	Samuels	D909,450	S	2/2021	Grant
D755,277	S	5/2016	Gerd	D911,411	S	2/2021	Coster
9,357,109	B2	5/2016	Hyers	D911,412	S	2/2021	Alberstein
D758,474	S	6/2016	Harrison	D912,120	S	3/2021	Druker
D759,141	S	6/2016	Bacon	D920,419	S	5/2021	Muhlenkamp, IV
				D921,084	S	6/2021	Muhlenkamp, IV
				D924,297	S	7/2021	Imai
				D925,643	S	7/2021	Hsu
				D926,853	S	8/2021	Wei

(56)

References Cited

U.S. PATENT DOCUMENTS

D929,489 S 8/2021 Coster  
 D933,115 S 10/2021 Druker  
 D934,945 S 11/2021 Wu  
 D935,506 S 11/2021 Tan  
 D939,608 S 12/2021 Han  
 D941,904 S 1/2022 Coster  
 D943,654 S 2/2022 Jiang  
 D946,071 S 3/2022 Muhlenkamp  
 D946,072 S 3/2022 Muhlenkamp  
 D946,074 S 3/2022 Muhlenkamp  
 D947,920 S 4/2022 Muhlenkamp  
 D949,222 S 4/2022 Bergman  
 D950,624 S 5/2022 Muhlenkamp  
 D951,321 S 5/2022 Muhlenkamp  
 D953,404 S 5/2022 Au  
 D953,406 S 5/2022 Druker  
 D954,132 S 6/2022 Todd  
 D954,776 S 6/2022 Muhlenkamp, IV  
 D963,016 S 9/2022 Todd  
 D963,017 S 9/2022 Muhlenkamp  
 D963,020 S \* 9/2022 Au ..... D16/218  
 D963,023 S 9/2022 Todd  
 D963,726 S 9/2022 Au  
 D963,729 S 9/2022 Uetsuji  
 D967,227 S 10/2022 Sun  
 D975,767 S 1/2023 Jiang  
 D977,546 S 2/2023 Muhlenkamp  
 D978,953 S 2/2023 Coster  
 D980,301 S 3/2023 Bergman  
 D988,390 S \* 6/2023 Muhlenkamp, IV ..... D16/218  
 D989,841 S \* 6/2023 Muhlenkamp, IV ..... D16/218  
 D991,318 S \* 7/2023 Muhlenkamp, IV ..... D16/218  
 D997,232 S \* 8/2023 Muhlenkamp, IV ..... D16/218  
 D998,017 S 9/2023 Nguyen  
 D1,004,676 S \* 11/2023 Muhlenkamp, IV ..... D16/218  
 D1,009,964 S 1/2024 Su  
 2002/0046218 A1 4/2002 Gilbert  
 2005/0031338 A1 2/2005 Koyama  
 2007/0071423 A1 3/2007 Fantone  
 2007/0122145 A1 5/2007 Chang  
 2007/0196090 A1 8/2007 Kubo  
 2008/0152337 A1 6/2008 Gartner  
 2009/0181729 A1 7/2009 Griffin, Jr.  
 2011/0317065 A1 12/2011 Lin  
 2012/0321294 A1 12/2012 Tages  
 2013/0222668 A1 8/2013 Anderson  
 2014/0185853 A1 7/2014 Aihara  
 2014/0198932 A1 7/2014 Parkins  
 2014/0226055 A1 8/2014 Schmidt  
 2014/0226062 A1 8/2014 Parrill  
 2015/0002950 A1 1/2015 O'Neill  
 2015/0168815 A1 6/2015 Chen  
 2015/0293430 A1 10/2015 O'Neill  
 2015/0316835 A1 11/2015 Scott  
 2015/0326748 A1 11/2015 Tisch  
 2016/0004142 A1 1/2016 Zhang  
 2016/0100083 A1 4/2016 Harrison  
 2016/0124290 A1 5/2016 Bergreen  
 2016/0229556 A1 8/2016 Zhou  
 2016/0246162 A1 8/2016 Niemeyer

2017/0026555 A1 1/2017 Hoyda  
 2017/0031235 A1 2/2017 Kubotera  
 2017/0059805 A1 3/2017 Ranetkins  
 2017/0059967 A1 3/2017 Harrison  
 2017/0192341 A1 7/2017 Casarez  
 2019/0079373 A1 3/2019 Wang  
 2019/0141221 A1 5/2019 Barros  
 2019/0161208 A1 5/2019 Sun  
 2019/0253589 A1 8/2019 Kraemer  
 2020/0319531 A1 10/2020 Brisco  
 2022/0038607 A1 2/2022 Todd

OTHER PUBLICATIONS

Google Express IGoPro Karma Harness for Hero4 Black/Silver Camera—AGFHA-001 , first reviewed on Mar. 17, 2017, © 2018 Google [online], [site visited Mar. 16, 2018]. Available from Internet, <URL: <https://goo.gl/hugSGv/>> 1 page.  
 GoPro i Shop i Mounts & Accessories, posted on Nov. 16, 2017, © 2018 GoPro, Inc. [online], [site visited Mar. 16, 2018]. Available from Internet, <URL: <https://shop.gopro.com/mounts-accessories/>> (13 Pgs).  
 GoPro The Frame for Hero5 Black. [online] Published date unknown. Retrieved on Oct. 26, 2016 from <URL: <https://www.bhphotovideo.com/c/product/1274422-REG/gopro.sub.--aafm.sub.--001.sub.--frame.sub.--for.sub.--hero5.html>>. 3 pages.  
 GoPro, “Karma Stabilizer,” Date Unknown, two pages. [Online] [Retrieved Nov. 2, 2016] Retrieved from the internet <<http://shop.gopro.com/accessories-2/karma-stabilizer/AGMBL-001.html>>. (2 pages).  
 Linxv i Action Camera Accessories i Action Camera Strap, posted on Jun. 4, 2016, © 2012 Avada [online], [site visited Mar. 16, 2018]. Available from Internet, <URL: <http://www.linxv.com/action-camera-accessories/action-camera-strap/>> (4 Pgs).  
 Silicon Sleeve Cases for the Frame of Your Gopro Hero 5 , retrieved from URL: <https://www.amazon.com/Silicone-Sleeve-Cases-Frame-Gopro/dp/B01NCQ3GOY>, retrieved Mar. 30, 2018 (6 pages).  
 Silicon Sleeve for GoPro Her04 Housing—Gocase, retrieved from URL: <https://www.gocase.com/products/silicon-sleeve-for-gopro-hero4-housing>, retrieved Mar. 30, 2018 (2 pages).  
 Silicone Sleeve Cases for The Frame of your Gopro Hero 5 (1x Frame / 1x Camera Case, Blue + Black), URL: [https://www.amazon.com/dp/B01MR00OPJ/ref=asc\\_df\\_B01MR00OPJ5357481/?tag=hyprod-20&creative=395033&creativeASIN=B01MR00OPJ&linkCode=df0&hvadid=167139098072&hvpos=1o1&hvnetw=g&hvrand=8248390090609077295&hvpone=&hvptwo=&hvqmt=&hvdev=c&hvdvcmdl=&hvlocint=&hvlocphy=1014237&hvtargid=pla-332273337114](https://www.amazon.com/dp/B01MR00OPJ/ref=asc_df_B01MR00OPJ5357481/?tag=hyprod-20&creative=395033&creativeASIN=B01MR00OPJ&linkCode=df0&hvadid=167139098072&hvpos=1o1&hvnetw=g&hvrand=8248390090609077295&hvpone=&hvptwo=&hvqmt=&hvdev=c&hvdvcmdl=&hvlocint=&hvlocphy=1014237&hvtargid=pla-332273337114), retrieved Mar. 30, 2018 (6 pages).  
 Suction Cup & Locking Arm. Online, published date unknown. Retrieved on Jan. 11, 2018 from URL: <https://joby.com/suction-cup-with-locking-arm> (1 page).  
 The Frame. [online] Published date unknown. Retrieved on Oct. 24, 2016 from <URL: <http://shop.gopro.com/accessories-2/the-frame/ANDFR-302.html>>. 3 pages.  
 United States Office Action, U.S. Appl. No. 29/548,666, filed Nov. 17, 2016, 8 pages.

\* cited by examiner

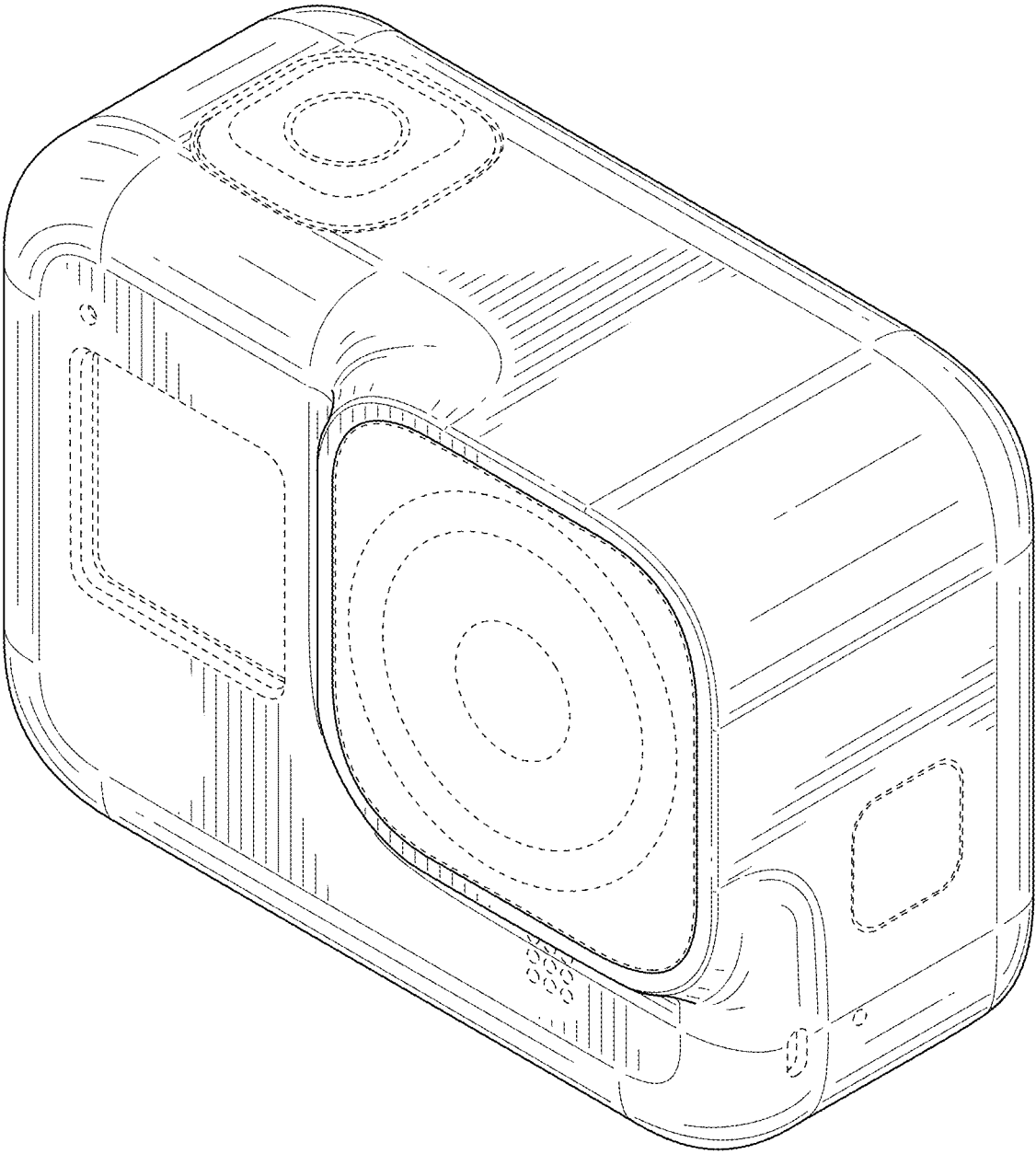


FIG. 1

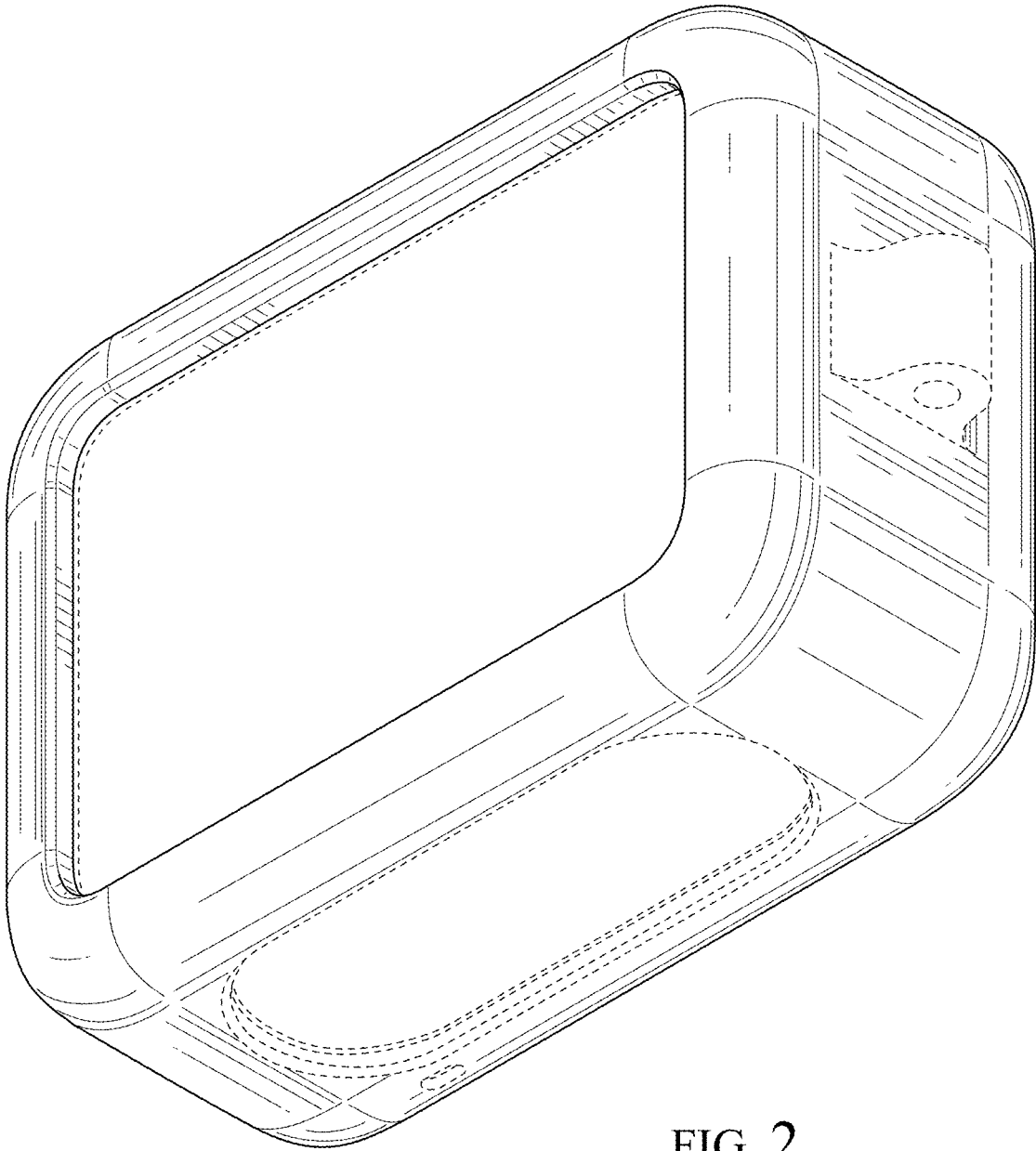


FIG. 2

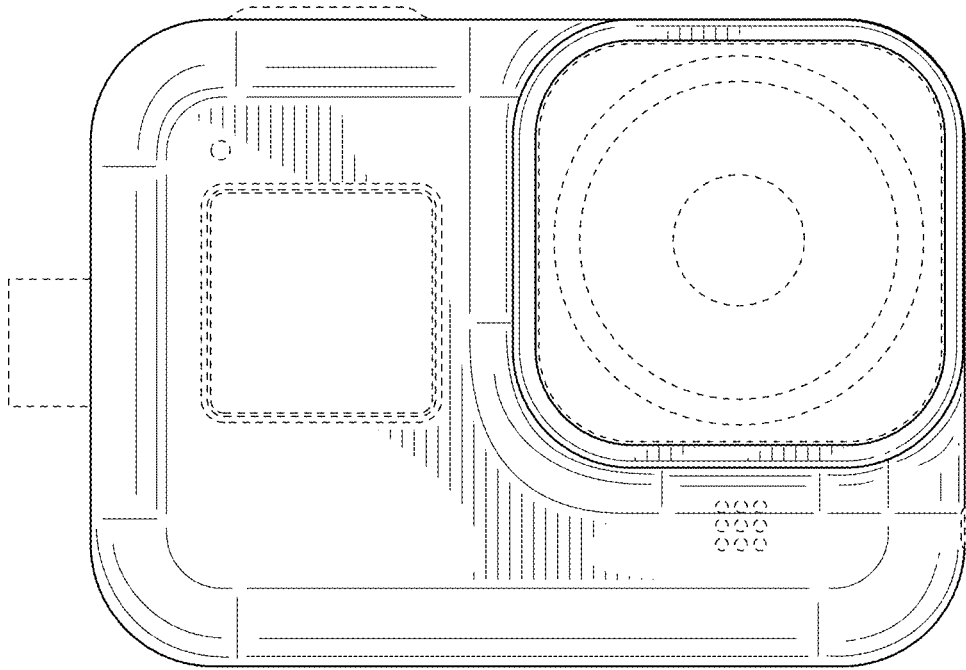


FIG. 3

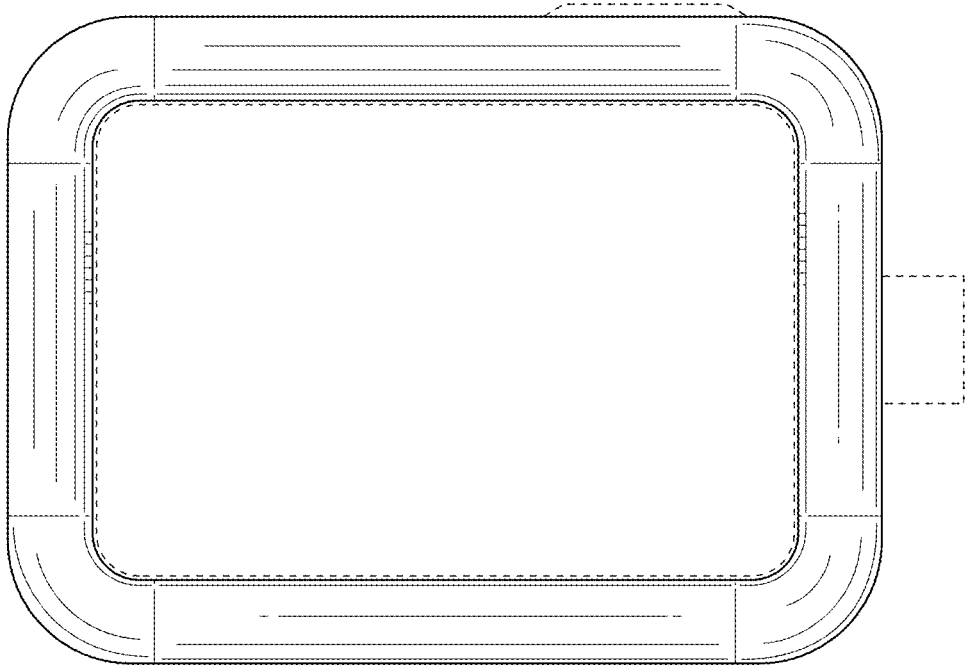


FIG. 4

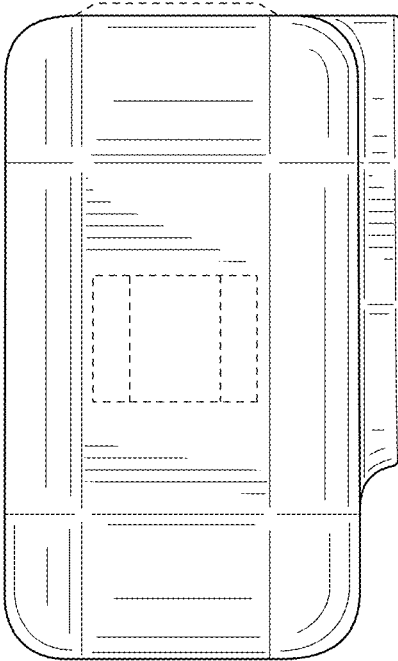


FIG. 5

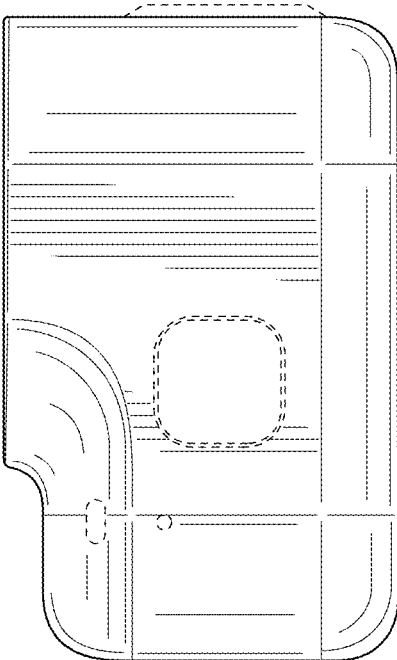


FIG. 6

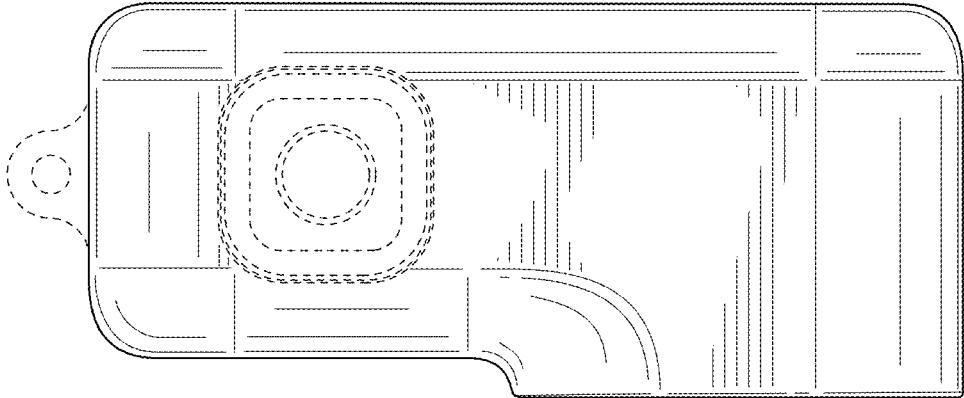


FIG. 7

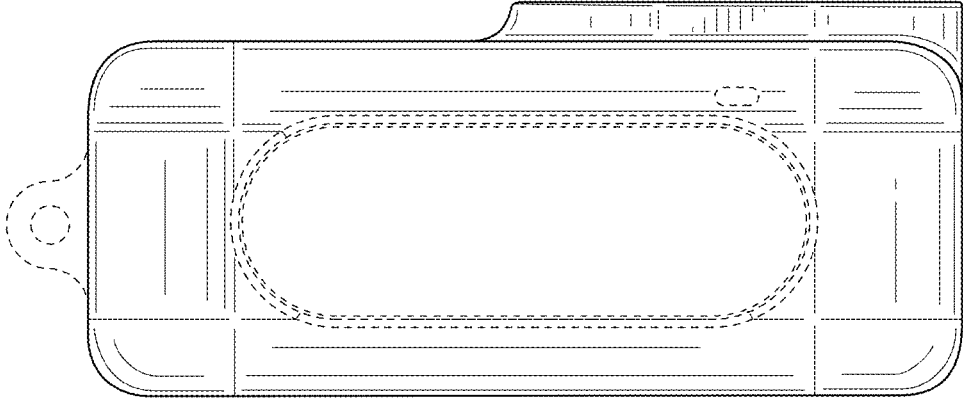


FIG. 8