

(12) **United States Design Patent** (10) **Patent No.:** **US D854,465 S**
Li et al. (45) **Date of Patent:** **** Jul. 23, 2019**

(54) **AUTOMOBILE BUMPER GUARD**
 (71) Applicant: **BYD COMPANY LIMITED**,
 Shenzhen, Guangdong (CN)
 (72) Inventors: **Leyang Li**, Shenzhen (CN); **Kai Guo**,
 Shenzhen (CN); **Wenquan Tang**,
 Shenzhen (CN); **Changshu Shangguan**,
 Shenzhen (CN)
 (73) Assignee: **BYD COMPANY LIMITED**,
 Shenzhen (CN)
 (**) Term: **15 Years**

D643,349 S * 8/2011 Schell D12/169
 D670,625 S * 11/2012 Frei D12/169
 D671,047 S * 11/2012 Davidson D12/169
 D671,050 S * 11/2012 Davidson D12/169
 D671,051 S * 11/2012 Davidson D12/169
 D695,164 S * 12/2013 Futschik D12/169
 D751,008 S * 3/2016 Behmer D12/169
 D751,009 S * 3/2016 Behmer D12/169
 D751,010 S * 3/2016 Behmer D12/169
 D758,259 S * 6/2016 Messale D12/169
 D774,428 S * 12/2016 Davidson D12/169
 D775,038 S * 12/2016 Frascella D12/169
 D776,021 S * 1/2017 Kapitonov D12/169
 D793,294 S * 8/2017 Lee D12/169
 D797,616 S * 9/2017 Lee D12/169
 D813,743 S * 3/2018 Lee D12/169
 D813,756 S * 3/2018 Loeb D12/169

(21) Appl. No.: **29/603,690**
 (22) Filed: **May 11, 2017**

(30) **Foreign Application Priority Data**
 Nov. 15, 2016 (CN) 2016 3 0553331
 (51) **LOC (11) Cl.** **12-16**
 (52) **U.S. Cl.**
 USPC **D12/169**
 (58) **Field of Classification Search**
 USPC D12/86, 90, 91, 92, 163, 164, 167, 169,
 D12/171, 196, 216
 CPC B60R 19/02; B60R 19/18; B60R 19/24;
 B60R 19/56; B60R 2019/007
 See application file for complete search history.

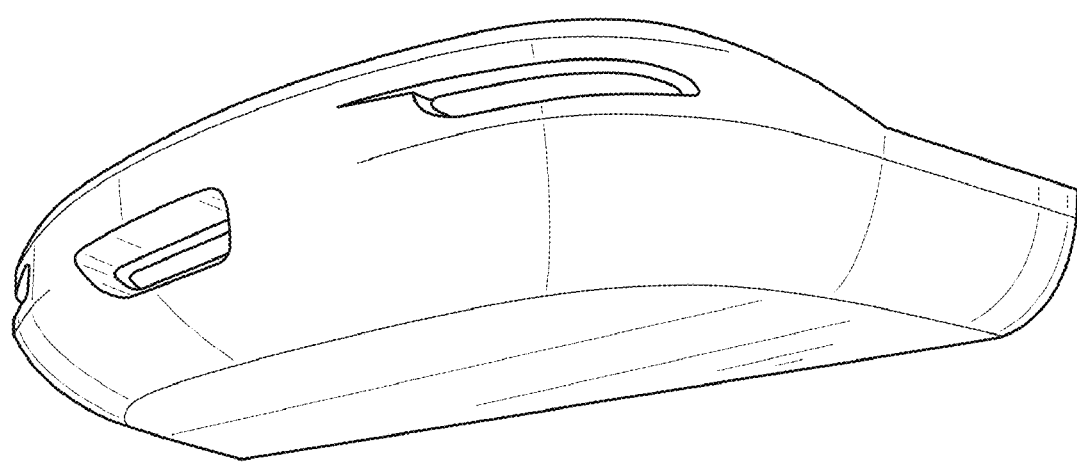
(56) **References Cited**
 U.S. PATENT DOCUMENTS
 D516,975 S * 3/2006 Baum D12/169
 D543,920 S * 6/2007 Lai D12/196
 D545,732 S * 7/2007 Truebsbach D12/169
 D623,993 S * 9/2010 Miyazawa D12/169
 D640,613 S * 6/2011 Bauer D12/169
 D640,617 S * 6/2011 Furst D12/169

(Continued)
Primary Examiner — Darlington Ly
 (74) *Attorney, Agent, or Firm* — Calfee, Halter &
 Griswold LLP; Joshua A. Friedman; Yizhou Liu

(57) **CLAIM**
 We claim the ornamental design for an automobile bumper guard, as shown and described.

DESCRIPTION
 FIG. 1 is a front elevation view of an automobile bumper guard showing our new design;
 FIG. 2 is a rear elevation view thereof;
 FIG. 3 is a left side elevation view thereof;
 FIG. 4 is a right side elevation view thereof;
 FIG. 5 is a top plan view thereof;
 FIG. 6 is a bottom plan view thereof;
 FIG. 7 is a top, front, and right side perspective view thereof;
 and,
 FIG. 8 is a top, rear, and right side perspective view thereof.
 The broken lines in the drawings illustrate portions of the automobile bumper guard that form no part of the claimed design.

1 Claim, 3 Drawing Sheets



(56)

References Cited

U.S. PATENT DOCUMENTS

D816,563 S * 5/2018 McMahan D12/169
D819,524 S * 6/2018 Behmer D12/169

* cited by examiner



FIG. 1

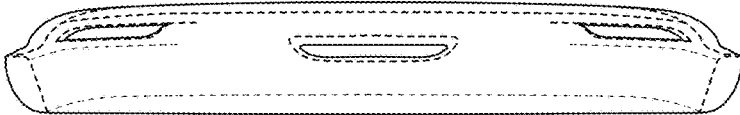


FIG. 2

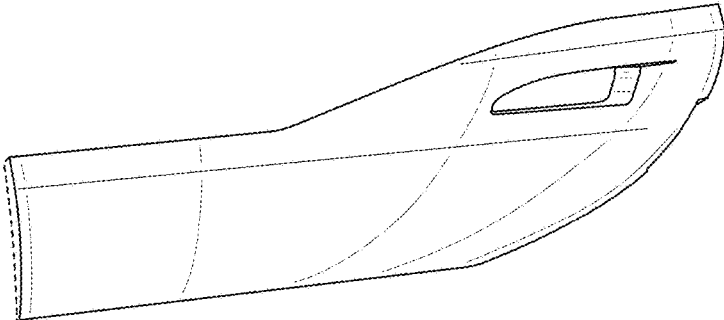


FIG. 3

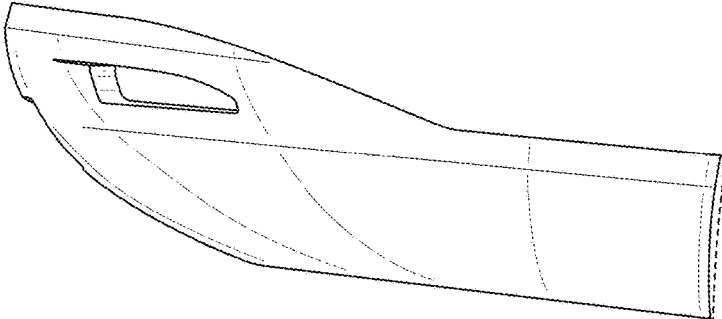


FIG. 4

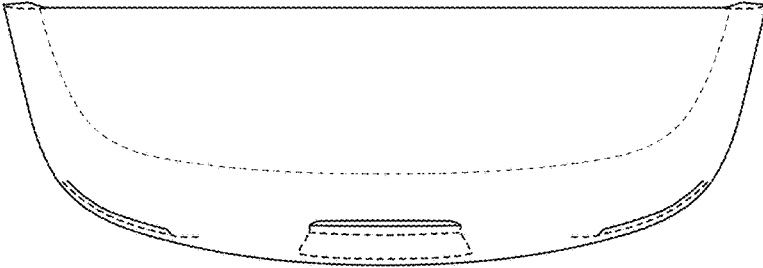


FIG. 5

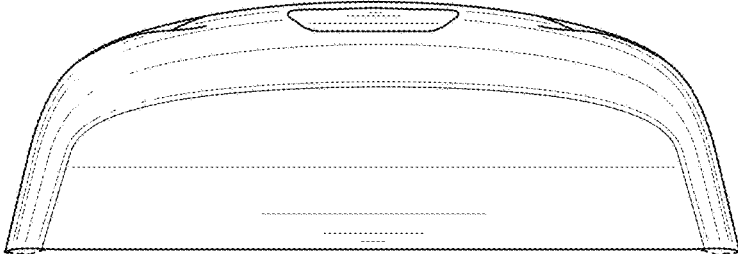


FIG. 6

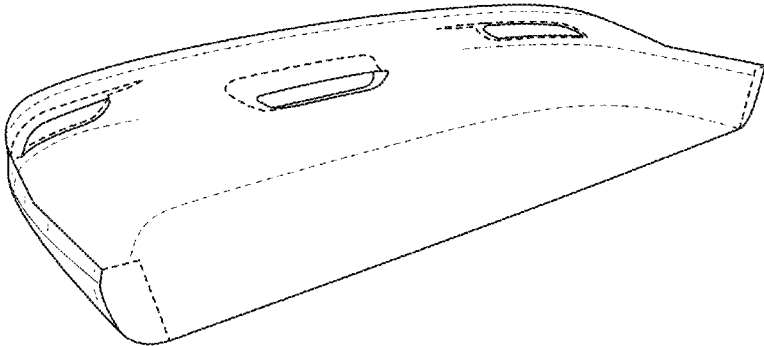


FIG. 7

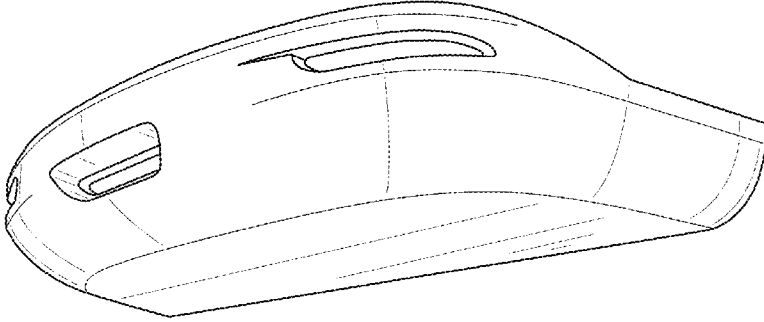


FIG. 8