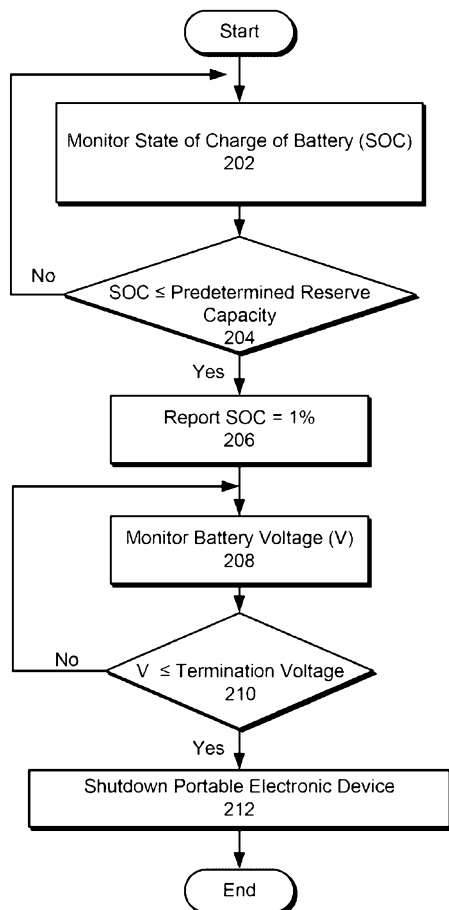




- (51) International Patent Classification:
H04W 52/02 (2009.01) *G06F 1/32* (2006.01)
G01R 31/36 (2006.01)
- (21) International Application Number: PCT/US2012/051290
- (22) International Filing Date: 17 August 2012 (17.08.2012)
- (25) Filing Language: English
- (26) Publication Language: English
- (30) Priority Data:
61/533,717 12 September 2011 (12.09.2011) US
13/363,213 31 January 2012 (31.01.2012) US
- (71) Applicant (for all designated States except US): **APPLE INC.** [US/US]; 1 Infinite Loop, Cupertino, CA 95014 (US).
- (72) Inventor; and
- (75) Inventor/Applicant (for US only): **VALENTINE, Val** [US/US]; c/o Apple Inc., 1 Infinite Loop, Cupertino, California 95014 (US).
- (74) Agent: **SAHASRABUDDHE, Laxman**; Park, Vaughan, Fleming & Dowler LLP, 2820 Fifth Street, Davis, California 95618 (US).
- (81) Designated States (unless otherwise indicated, for every kind of national protection available): AE, AG, AL, AM, AO, AT, AU, AZ, BA, BB, BG, BH, BN, BR, BW, BY, BZ, CA, CH, CL, CN, CO, CR, CU, CZ, DE, DK, DM, DO, DZ, EC, EE, EG, ES, FI, GB, GD, GE, GH, GM, GT, HN, HR, HU, ID, IL, IN, IS, JP, KE, KG, KM, KN, KP, KR, KZ, LA, LC, LK, LR, LS, LT, LU, LY, MA, MD, ME, MG, MK, MN, MW, MX, MY, MZ, NA, NG, NI, NO, NZ, OM, PE, PG, PH, PL, PT, QA, RO, RS, RU, RW, SC, SD, SE, SG, SK, SL, SM, ST, SV, SY, TH, TJ, TM,

[Continued on next page]

(54) Title: MONITORING A BATTERY IN A PORTABLE ELECTRONIC DEVICE



(57) Abstract: The disclosed embodiments provide a system that monitors a battery in a portable electronic device. During operation, the system monitors a state of charge of the battery while the battery is powering the portable electronic device. Next, when the state of charge of the battery reaches a predetermined reserve capacity, the system monitors a voltage of the battery. Then, when the monitored voltage of the battery reaches a predetermined termination voltage, the system puts the portable electronic device into a low power usage state.





TN, TR, TT, TZ, UA, UG, US, UZ, VC, VN, ZA, ZM, ZW.

EE, ES, FI, FR, GB, GR, HR, HU, IE, IS, IT, LT, LU, LV, MC, MK, MT, NL, NO, PL, PT, RO, RS, SE, SI, SK, SM, TR), OAPI (BF, BJ, CF, CG, CI, CM, GA, GN, GQ, GW, ML, MR, NE, SN, TD, TG).

(84) Designated States (unless otherwise indicated, for every kind of regional protection available): ARIPO (BW, GH, GM, KE, LR, LS, MW, MZ, NA, RW, SD, SL, SZ, TZ, UG, ZM, ZW), Eurasian (AM, AZ, BY, KG, KZ, RU, TJ, TM), European (AL, AT, BE, BG, CH, CY, CZ, DE, DK,

Published:

— with international search report (Art. 21(3))

MONITORING A BATTERY IN A PORTABLE ELECTRONIC DEVICE

Inventor: Val Valentine

5

BACKGROUND

Field

10 [0001] The present embodiments relate to techniques for monitoring a battery. More specifically, the present embodiments relate to techniques for monitoring a battery in a portable electronic device.

Related Art

15 [0002] Typically, the state of charge of a battery in a portable electronic device is monitored by a battery gas gauge. The state of charge is then often displayed to the user of the portable electronic device so that, among other things, the user can be made aware of the remaining battery life and can adjust their usage accordingly. The battery state of charge is also
20 used by the portable electronic device to ensure that the device can shut down in an orderly fashion before the battery is no longer capable of powering the device.

[0003] However, battery gas gauges typically have some level of inaccuracy when monitoring the state of charge of a battery. Therefore, portable electronic devices usually shut down when the battery gas gauge determines that the state of charge of the battery has reached a
25 predetermined reserve capacity. The predetermined reserve capacity is set to be larger than the expected inaccuracies in the battery gas gauge so that there is always enough remaining state of charge in the battery to shut down the device in an orderly fashion. However, as a result of this, there is often still some usable charge left in the battery after the device has shut down. This remaining state of charge is not available to the user of the device and hence, in effect, reduces
30 the total capacity of the battery which is available to the user.

[0004] Hence, use of battery-powered portable electronic devices may be facilitated by monitoring a battery in a portable electronic device to allow use of the reserve state of charge.

35

SUMMARY

[0005] The disclosed embodiments provide a system that monitors a battery in a portable electronic device. During operation, the system monitors a state of charge of the battery while the battery is powering the portable electronic device. Next, when the state of charge of the battery reaches a predetermined reserve capacity, the system monitors a voltage of the battery. Then, when the monitored voltage of the battery reaches a predetermined termination voltage, the system puts the portable electronic device into a low power usage state.

[0006] In some embodiments, monitoring the state of charge of the battery involves using a battery gas gauge to monitor the state of charge of the battery.

[0007] In some embodiments, when the state of charge of the battery reaches the predetermined reserve capacity, the method additionally comprises displaying a minimal state of charge value to a user of the portable electronic device.

[0008] In some embodiments, the minimal state of charge value is a 1% state of charge.

[0009] In some embodiments, when the monitored voltage of the battery has a predetermined number of transient dips equal to or below the predetermined termination voltage, the system reduces the power drawn by the portable electronic device from the battery.

[0010] In some embodiments, reducing the power drawn by the portable electronic device from the battery includes one or more of: reducing the screen brightness, reducing the speaker volume, and shutting down a radio transceiver.

[0011] In some embodiments, putting the portable electronic device into a low power usage state includes putting the portable electronic device into a shutdown state.

[0012] In some embodiments, the predetermined reserve capacity is between a 2% state of charge of the battery and a 4% state of charge of the battery.

[0013] In some embodiments, the portable computing device includes at least one of: a smartphone, a tablet computer, and a laptop computer.

BRIEF DESCRIPTION OF THE FIGURES

[0014] FIG. 1A shows a portable electronic device monitoring a battery in accordance with an embodiment.

[0015] FIG. 1B shows two exemplary battery state of charge graphs overlaid on top of each other to aid in explanation of the operation of an embodiment.

[0016] FIG. 2 shows a flowchart illustrating the process of monitoring a battery in a portable electronic device in accordance with an embodiment.

[0017] In the figures, like reference numerals refer to the same figure elements.

DETAILED DESCRIPTION

[0018] The following description is presented to enable any person skilled in the art to make and use the embodiments, and is provided in the context of a particular application and its requirements. Various modifications to the disclosed embodiments will be readily apparent to those skilled in the art, and the general principles defined herein may be applied to other 5 embodiments and applications without departing from the spirit and scope of the present disclosure. Thus, the present invention is not limited to the embodiments shown, but is to be accorded the widest scope consistent with the principles and features disclosed herein.

[0019] The data structures and code described in this detailed description are typically 10 stored on a computer-readable storage medium, which may be any device or medium that can store code and/or data for use by a computer system. The computer-readable storage medium includes, but is not limited to, volatile memory, non-volatile memory, magnetic and optical storage devices such as disk drives, magnetic tape, CDs (compact discs), DVDs (digital versatile discs or digital video discs), or other media capable of storing code and/or data now known or 15 later developed.

[0020] The methods and processes described in the detailed description section can be embodied as code and/or data, which can be stored in a computer-readable storage medium as described above. When a computer system reads and executes the code and/or data stored on the computer-readable storage medium, the computer system performs the methods and processes 20 embodied as data structures and code and stored within the computer-readable storage medium.

[0021] Furthermore, methods and processes described herein can be included in hardware modules or apparatus. These modules or apparatus may include, but are not limited to, an application-specific integrated circuit (ASIC) chip, a field-programmable gate array (FPGA), a dedicated or shared processor that executes a particular software module or a piece of code at a 25 particular time, and/or other programmable-logic devices now known or later developed. When the hardware modules or apparatus are activated, they perform the methods and processes included within them.

[0022] FIG. 1A shows a portable electronic device monitoring a battery in accordance with an embodiment. Portable electronic device 100 includes battery 102 which is coupled to 30 battery monitoring unit (BMU) 104 and through current sense resistor 108 to system 106. BMU 104 communicates with system 106 through communication link 110, and BMU 104 includes battery gas gauge 112.

[0023] Portable electronic device 100 may be any electronic device that is powered by a battery, including but not limited to a smartphone, a tablet computer, a laptop computer, or any 35 other computing device. Battery 102 can be any type of battery capable of powering a portable

electronic device, and can be implemented in any technology. In some embodiments, battery 102 includes more than one separate battery and/or battery cell.

[0024] BMU 104 monitors the voltage of battery 102 and the current flowing out of battery 102 through current sense resistor 108. BMU 104 can be implemented on a separate processor from system 106 or on the same processor without departing from the invention. Additionally, in some embodiments, BMU 104 and system 106 may share other resources of portable electronic device 100 such as volatile memory (not shown) or non-volatile memory (not shown). Note that system 106 may represent all of the other functional portions of portable electronic device 100 not otherwise depicted in FIG. 1A.

[0025] Battery gas gauge 112 monitors the state of charge of battery 102 and can be any process or mechanism implemented in hardware and/or software that can monitor a state of charge of battery 102. In some embodiments, battery gas gauge 112 uses information including but not limited to information about the voltage of battery 102, the current drawn from battery 102, the battery chemistry and cycling history of battery 102, and performance data based on batteries similar to battery 102. Additionally, battery gas gauge 112 stores a value representing a predetermined reserve capacity for battery 102. The predetermined reserve capacity can be a predetermined value entered by a user or manufacturer of portable electronic device 100, or any other value calculated, entered or otherwise predetermined and used by battery gas gauge 112 as a buffer to account for potential inaccuracies in the monitoring of the state of charge of battery 102 by battery gas gauge 112. In some embodiments, the predetermined reserve capacity is stored elsewhere in portable electronic device 100, such as in BMU 104 or in system 106.

[0026] During operation, portable electronic device 100 is powered by battery 102. As power is drawn out of battery 102, battery gas gauge 112 monitors the state of charge of battery 102. BMU 104 communicates to system 106 the state of charge monitored by battery gas gauge 112 minus the predetermined reserve capacity. System 106 displays the monitored state of charge of battery 102 minus the predetermined reserve capacity to a user. In some embodiments, this information is displayed as a percentage of the full state of charge of battery 102 or the full state of charge of battery 102 minus the predetermined reserve capacity, or any other suitable format that can communicate the relative state of charge of battery 102 to a user of portable electronic device 100.

[0027] As portable electronic device 100 continues drawing power from battery 102, eventually the state of charge of battery 102 monitored by battery gas gauge 112 will fall until it is equal to or less than the predetermined reserve capacity. When this level is reached, BMU 104 communicates to system 106 through communication link 110 that the state of charge of battery 102 is 1%. Note that BMU 104 could communicate to system 106 a value representing any

minimal state of charge of battery 102 without departing from the invention. For example, BMU 104 could communicate to system 106 that the state of charge of battery 102 is the lowest state of charge above 0% that can be displayed to a user of portable electronic device 100.

5 [0028] BMU 104 then monitors the voltage of battery 102 and continues communicating to system 106 through communication line 110 that the state of charge of battery 102 is 1% until the voltage measured from battery 102 by BMU 104 reaches a predetermined termination voltage. Note that BMU 104 may determine that the voltage measured from battery 102 has reached the predetermined termination voltage based on information including but not limited to one or more of the following: the number, duration, or frequency of transient voltage dips that
10 are equal or below the predetermined termination voltage, or a steady-state or persistence voltage measurement equal to or below the predetermined termination voltage.

[0029] Additionally, in some embodiments, before BMU 104 has determined that the voltage from battery 102 has reached the predetermined termination voltage, when BMU 104 measures one or more transient voltage dips equal to or below the predetermined termination
15 voltage or some other predetermined threshold voltage, BMU 104 signals system 106 through communication link 110 to reduce the power drawn by one or more resources of portable electronic device 100. For example, after BMU 104 has communicated to system 106 that a predetermined number of transient voltage dips of the voltage from battery 104 are equal to or below the predetermined termination voltage, system 106 may reduce the power drawn from
20 battery 102 through one or more of the following actions: reducing the brightness of a screen, reducing the volume of speakers, or shutting down a wireless communication device such as a radio transceiver.

[0030] Furthermore, as BMU 104 measures more transient voltage dips equal to below the predetermined termination voltage that exceed other predetermined thresholds in number,
25 frequency, or duration, BMU 104 may signal system 106 through communication link 110 to take additional actions such as further reducing the screen brightness, or speaker volume, or shutting down one or more other resources of portable electronic device 100. System 106 may also display a message to a user of portable electronic device 100 to indicate the actions that are being taken.

30 [0031] Once BMU 104 has determined that the voltage of battery 102 has reached the predetermined termination voltage, BMU 104 communicates a signal to system 106 through communication link 110 that causes portable electronic device 100 to go into a low power usage state. The low power usage state may include but is not limited to a hibernate state, a shutdown state, or any other state that minimizes or stops further power from being drawn from battery

102. In some embodiments, this signal may include but is not limited to setting a flag that indicates to system 106 that portable electronic device 100 should be shut down.

[0032] Note that the predetermined termination voltage can be selected by a manufacturer or user of portable electronic device 100, and may be selected so that the voltage from battery 5 102 is sufficient to allow portable electronic device 100 to enter a low power usage state that minimizes or stops further power from being drawn from battery 102 in an orderly fashion and without loss of data or other potentially undesirable effects on portable electronic device 100. For example, the termination voltage may be picked to be high enough above the brownout voltage for portable electronic device 100 so that even under high load operating conditions, 10 portable electronic device 100 can shut down in an orderly fashion before the voltage from battery 102 reaches the brownout voltage.

[0033] FIG. 1B shows two exemplary battery state of charge graphs overlaid on top of each other to aid in explanation of the operation of an embodiment. Note that in order to help highlight details of the graphs, the axes of FIG. 1B are not drawn to scale. One graph depicts 15 displayed state of charge vs. battery capacity curve 122 and uses the vertical axis displayed state of charge 126 on the left side of FIG. 1B, while the other graph depicts battery voltage vs. battery capacity curve 124 and uses the vertical axis battery voltage 128 on the right side of FIG. 1B.

[0034] As described above, during operation of portable electronic device 100, as power is drained from battery 102, the state of charge determined by battery gas gauge 112 minus the 20 predetermined reserve capacity is reported by BMU 104 to system 106 for display to a user. This is depicted by displayed state of charge vs. battery capacity curve 122. As portable electronic device 100 continues to draw power from battery 102, the state of charge of battery 102 monitored by battery gas gauge 112 will continue to fall until it is equal to the predetermined reserve capacity. Note that in the embodiments depicted in FIG. 1B, system 106 does not display 25 a state of charge of battery 102 to the user that is less than a minimal state of charge (e.g., 1% in this embodiment). In other embodiments, the minimal state of charge is displayed until the portable electronic device begins to enter a low power usage state.

[0035] When battery gas gauge 112 determines that the state of charge of battery 102 has decreased to a level that is equal to the predetermined reserve capacity, BMU 104 continues 30 reporting to system 106 that the state of charge of battery 102 is 1%. BMU 104 then monitors the voltage of battery 102 as depicted in battery voltage vs. battery capacity curve 124. As portable electronic device 100 continues to drain power from battery 102, the voltage of battery 102 drops until it reaches termination voltage 134. When this occurs, BMU 104 communicates to system 106 through communication link 110 a shutdown signal that causes portable electronic 35 device 100 to go into a state that stops further power from being drawn from battery 102. Note

that, for convenience, termination voltage 134 on the right axis battery voltage 128 is depicted as lining up with 0% on the displayed state of charge 126 axis.

5 [0036] In this embodiment, the state of charge of battery 102 between when the voltage of battery 102 reaches the termination voltage and when battery gas gauge 112 determines the state of charge of battery 102 to be equal to the predetermined reserve capacity (e.g., 0% on the axis displayed state of charge 126) is represented by reserve state of charge 132 and is available for use by portable electronic device 100.

10 [0037] FIG. 2 shows a flowchart illustrating the process of monitoring a battery in a portable electronic device in accordance with an embodiment. First, the state of charge (SOC) of a battery in a portable electronic device is monitored (step 202). Then, if the SOC is not less than or equal to the predetermined reserve capacity (step 204), the process returns to step 202. If the SOC is less than or equal to the predetermined reserve capacity (step 204), then the process reports that the SOC equals 1% (step 206). The battery voltage is monitored (step 208), and if it is not less than or equal to the termination voltage (step 210), then the process returns to step 15 208. If the monitored voltage of the battery is less than or equal to the termination voltage (step 210), then the portable electronic device is shut down (step 212).

20 [0038] The foregoing descriptions of various embodiments have been presented only for purposes of illustration and description. They are not intended to be exhaustive or to limit the present invention to the forms disclosed. Accordingly, many modifications and variations will be apparent to practitioners skilled in the art. Additionally, the above disclosure is not intended to limit the present invention.

What Is Claimed Is:

1. A method for monitoring a battery in a portable electronic device, comprising:
5 monitoring a state of charge of the battery while the battery is powering the portable electronic device;
when the state of charge reaches a predetermined reserve capacity, monitoring a voltage of the battery; and
when the monitored voltage of the battery reaches a predetermined termination voltage, putting the portable electronic device into a low power usage state.
- 10 2. The method of claim 1, wherein monitoring the state of charge of the battery involves using a battery gas gauge to monitor the state of charge of the battery.
3. The method of claim 1, wherein when the state of charge of the battery reaches the predetermined reserve capacity, the method additionally comprises displaying a minimal state of charge value to a user of the portable electronic device.
- 15 4. The method of claim 3, wherein the minimal state of charge value is a 1% state of charge.
5. The method of claim 1, further involving:
when the monitored voltage of the battery has a predetermined number of transient dips equal to or below the predetermined termination voltage, reducing a power drawn by the portable
20 electronic device from the battery.
6. The method of claim 5, wherein reducing the power drawn by the portable electronic device from the battery includes one or more of: reducing a screen brightness, reducing a speaker volume, and shutting down a radio transceiver.
7. The method of claim 1, wherein putting the portable electronic device into a low
25 power usage state includes putting the portable electronic device into a shutdown state.
8. The method of claim 1, wherein the predetermined reserve capacity is between a 2% state of charge of the battery and a 4% state of charge of the battery.

9. The method of claim 1, wherein the portable computing device includes at least one of: a smartphone, a tablet computer, and a laptop computer.

10. A system for monitoring a battery in a portable electronic device, comprising:
a state of charge monitoring mechanism coupled to the battery and configured to monitor
5 a state of charge of the battery;

a voltage monitoring mechanism coupled to the battery and the state of charge monitoring mechanism, and configured to monitor a voltage of the battery when the state of charge of the battery monitored by the state of charge monitoring mechanism reaches a predetermined reserve capacity; and

10 a battery usage control mechanism coupled to the battery and the voltage monitoring mechanism, and configured to put the portable electronic device into a low power usage state when the voltage monitored by the voltage monitoring mechanism reaches a predetermined termination voltage.

11. The system of claim 10, wherein the state of charge monitoring mechanism
15 includes a battery gas gauge configured to monitor the state of charge of the battery.

12. The system of claim 11, further including a minimal state of charge display coupled to the state of charge monitoring mechanism and configured to display a minimal state of charge value to a user of the portable electronic device when the state of charge monitored by the state of charge monitoring mechanism reaches the predetermined reserve capacity.

20 13. The system of claim 12, wherein the minimal state of charge value is a 1% state of charge.

14. The system of claim 10, further including a power usage reduction mechanism configured to reduce a power drawn by the portable electronic device from the battery when the monitored voltage of the battery has a predetermined number of transient dips equal to or below
25 the predetermined termination voltage.

15. The system of claim 14, wherein the power usage reduction mechanism reduces the power drawn by the portable electronic device from the battery by one or more of: reducing a screen brightness, reducing a speaker volume, and shutting down a radio transceiver.

16. The system of claim 10, wherein putting the portable electronic device into a low power usage state includes putting the portable electronic device into a shutdown state.

17. The system of claim 10, wherein the predetermined reserve capacity is between a 2% state of charge of the battery and a 4% state of charge of the battery.

5 18. The system of claim 10, wherein the portable computing device includes at least one of: a smartphone, a tablet computer, and a laptop computer.

19. A computer-readable storage medium storing instructions that when executed by a computer cause the computer to perform a method for monitoring a battery in a portable electronic device, comprising:

10 monitoring a state of charge of the battery while the battery is powering the portable electronic device;

when the state of charge reaches a predetermined reserve capacity, monitoring a voltage of the battery; and

15 when the monitored voltage of the battery reaches a predetermined termination voltage, putting the portable electronic device into a low power usage state.

20. The computer-readable storage medium of claim 19, wherein monitoring the state of charge of the battery involves using a battery gas gauge to monitor the state of charge of the battery.

20 21. The computer-readable storage medium of claim 19, wherein when the state of charge of the battery reaches the predetermined reserve capacity, the method additionally comprises displaying a minimal state of charge value to a user of the portable electronic device.

22. The computer-readable storage medium of claim 21, wherein the minimal state of charge value is a 1% state of charge.

25 23. The computer-readable storage medium of claim 19, further involving:
when the monitored voltage of the battery has a predetermined number of transient dips equal to or below the predetermined termination voltage, reducing a power drawn by the portable electronic device from the battery.

24. The computer-readable storage medium of claim 23, wherein reducing the power drawn by the portable electronic device from the battery includes one or more of: reducing a screen brightness, reducing a speaker volume, and shutting down a radio transceiver.

25. The computer-readable storage medium of claim 19, wherein putting the portable
5 electronic device into a low power usage state includes putting the portable electronic device into a shutdown state.

26. The computer-readable storage medium of claim 19, wherein the predetermined reserve capacity is between a 2% state of charge of the battery and a 4% state of charge of the battery.

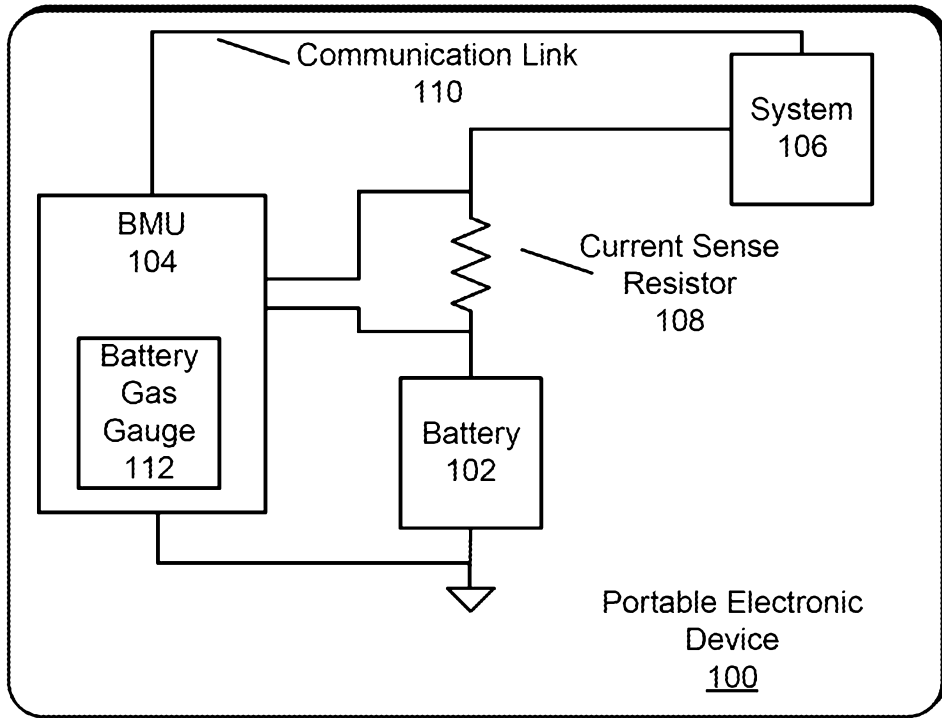


FIG. 1A

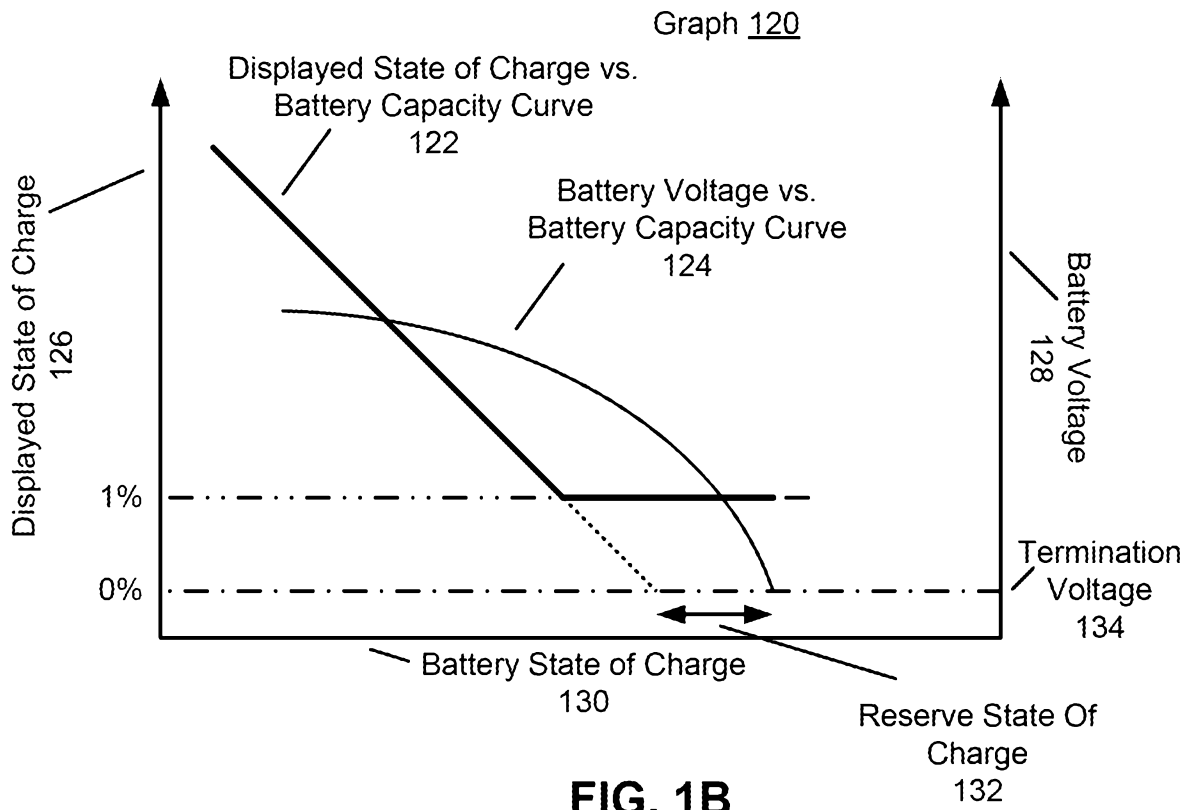


FIG. 1B

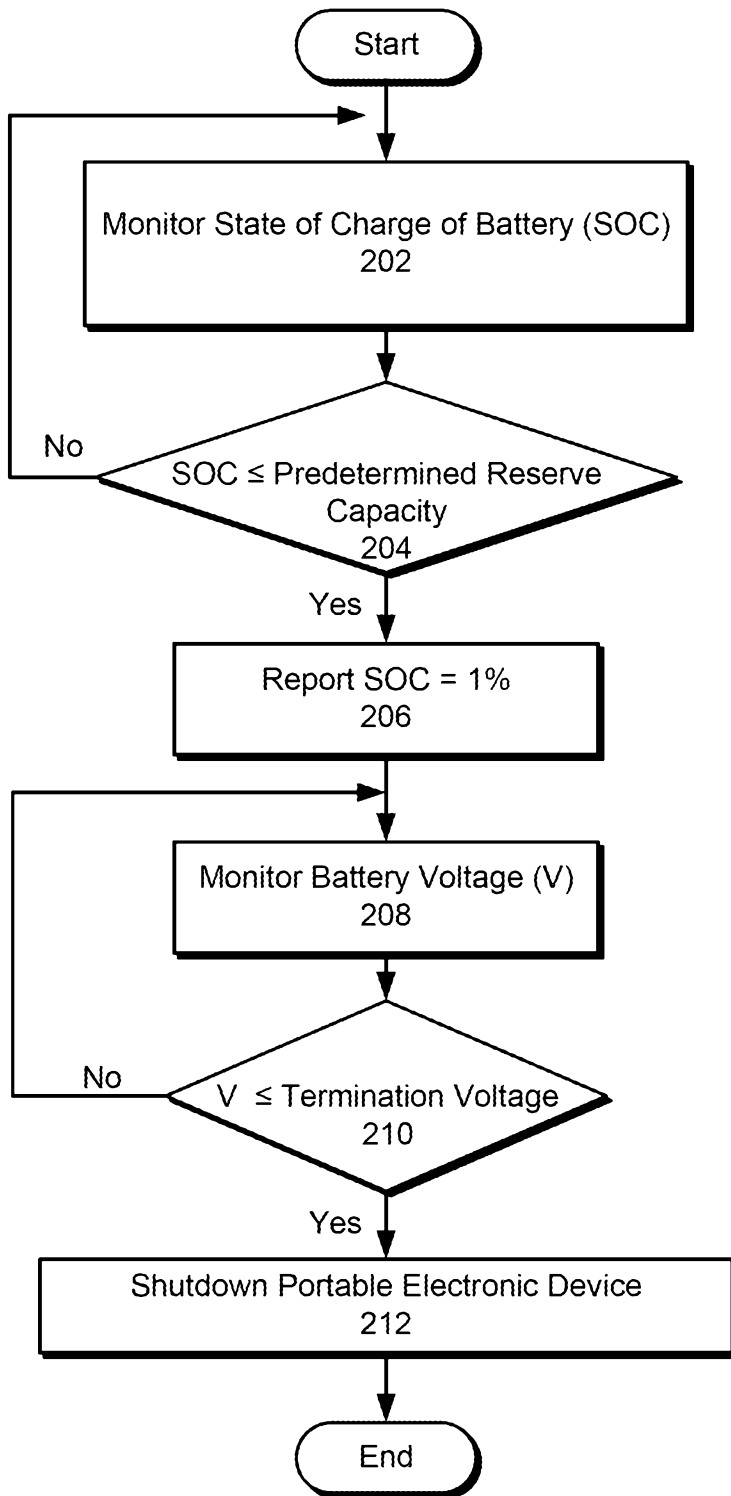


FIG. 2