

(19) World Intellectual Property Organization
International Bureau



(43) International Publication Date
8 May 2008 (08.05.2008)

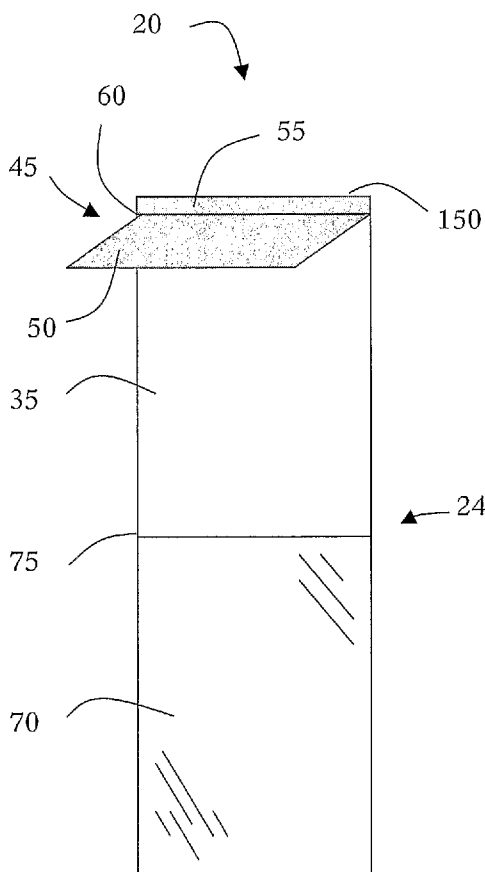
PCT

(10) International Publication Number
WO 2008/053162 A1

- (51) International Patent Classification: A45D 19/00 (2006.01)
- (21) International Application Number: PCT/GB2007/004049
- (22) International Filing Date: 24 October 2007 (24.10.2007)
- (25) Filing Language: English
- (26) Publication Language: English
- (30) Priority Data:
0621861.4 2 November 2006 (02.11.2006) GB
11/711,994 28 February 2007 (28.02.2007) US
- (71) Applicant (for all designated States except US): KIRNAN HOLDINGS LIMITED [GB/GB]; Peterbridge House, The Lakes, Northampton, Northamptonshire NN4 7HB (GB).
- (72) Inventor; and
- (75) Inventor/Applicant (for US only): WILKINS, Nicholas
- [GB/GB]; Old Brooklands, Moreton Pinkey, Daventry NN11 3SL (GB).
- (74) Agent: PEEL, James, Peter; BARKER BRETTELL, 10-12 Priests Bridge, London SW15 5JE (GB).
- (81) Designated States (unless otherwise indicated, for every kind of national protection available): AE, AG, AL, AM, AT, AU, AZ, BA, BB, BG, BH, BR, BW, BY, BZ, CA, CH, CN, CO, CR, CU, CZ, DE, DK, DM, DO, DZ, EC, EE, EG, ES, FI, GB, GD, GE, GH, GM, GT, HN, HR, HU, ID, IL, IN, IS, JP, KE, KG, KM, KN, KP, KR, KZ, LA, LC, LK, LR, LS, LT, LU, LY, MA, MD, ME, MG, MK, MN, MW, MX, MY, MZ, NA, NG, NI, NO, NZ, OM, PG, PH, PL, PT, RO, RS, RU, SC, SD, SE, SG, SK, SL, SM, SV, SY, TJ, TM, TN, TR, TT, TZ, UA, UG, US, UZ, VC, VN, ZA, ZM, ZW.
- (84) Designated States (unless otherwise indicated, for every kind of regional protection available): ARIPO (BW, GH, GM, KE, LS, MW, MZ, NA, SD, SL, SZ, TZ, UG, ZM, ZW), Eurasian (AM, AZ, BY, KG, KZ, MD, RU, TJ, TM), European (AT, BE, BG, CH, CY, CZ, DE, DK, EE, ES, FI,

[Continued on next page]

(54) Title: IMPROVED MASKING SHEET



(57) Abstract: The invention provides hairdresser's masking sheet (20) of flexible material for masking selected strands of a head of hair from other strands of the hair while the selected strands are treated wherein the sheet comprises a substrate (24) of flexible material and an adhesive portion (30) whereby application of the adhesive portion to a portion of the head of hair selectively and removably unites the sheet with the strands of the portion of hair thereby brought into contact therewith characterised in that the sheet comprises a manipulation means (45) having a flap for engagement with a tool such that the sheet may be manipulated by the tool; and a kit comprising a pack of masking sheets and a tool.

WO 2008/053162 A1



FR, GB, GR, HU, IE, IS, IT, LT, LU, LV, MC, MT, NL, PL,
PT, RO, SE, SI, SK, TR), OAPI (BF, BJ, CF, CG, CI, CM,
GA, GN, GQ, GW, ML, MR, NE, SN, TD, TG).

Published:
— *with international search report*

IMPROVED MASKING SHEET

[001] This invention relates to a hairdresser's masking sheet and a kit containing the sheet. In particular, this invention relates to a hairdresser's masking sheet having means for assisting a hairdresser position the sheet adjacent to strands of hair to be treated.

[002] A common technique used by a hairdresser for selectively treating strands of hair involves using lengths of aluminum foil to encase the hair and a treatment agent (eg, a colouring agent). To position the foil adjacent the strands of hair to be treated, the hairdresser folds over an edge of the foil to make a hollow tube through which a comb tail is threaded. The foil is then carried by the comb tail and positioned on the scalp adjacent the hair as required. The need to repeatedly cut and prepare suitable lengths of foil for different selected strands of hair is cumbersome and time-consuming for the hairdresser.

[003] As an alternative to using aluminum foil, masking sheets are generally known in the hairdressing art. For example, GB 2140682 discloses a masking sheet. The prior art masking sheet is illustrated in Figures 1 to 3 of the accompanying drawings.

[004] Here there is shown a rectangular elongate sheet 1 comprising a rectangular panel 2 of white substantially opaque plastics material and a rectangular panel 3 of substantially transparent plastics material. The panels 2 and 3 are of substantially equal area and are welded one to another along a common edge, or co-extruded, to form a transversely extending hinge 4. An upper transverse marginal edge portion 5 of the panel 2 is joined to an adhesive tape 6 having pressure sensitive contact adhesive applied to a surface thereof, which tape has a margin 7 free of adhesive.

[005] In use, strands of a head of hair are selected by a technique known as "weaving" and the panel 2 is placed under selected strands of hair, as shown at 8 in Figure 3, of a head of hair 9 such that the margin 7 is located adjacent the scalp of the head 9. The adhesive tape 6 adheres to the selected strands of hair 8 adjacent the scalp such that the sheet 1 is located under and relative to the selected strands of hair 8.

[006] The selected strands of hair 8 subsequently are coated with a liquid colouring substance (not shown) and the panel 3 is folded about the hinge 4 and is superimposed on the panel 2 with the selected strands of hair 8 located there between, a transverse marginal edge portion of the panel 3 adhering to the marginal edge portion 5 of the panel 2 by means of the adhesive tape 6 such that a margin 10 of the panel 3 is located adjacent the margin 7.

[007] In this manner, the selected strands of hair 8 are located within an envelope defined by the panels 2 and 3, the hinge 4 and the adhesive tape 6, as shown at 11 in Figure 3, and are thus isolated from adjacent strands of hair while colouration of the selected strands of hair is completed.

[008] This method involves the step of placing panel 2 under selected strands of hair 8. A hairdresser will do this by lifting the selected strands of hair 8 with one hand, whilst using the other hand to place panel 2.

[009] In most circumstances, the hairdresser will want to position the margin 7 as closely as possible to the roots 12 of the selected strands of hair 8. It is also desirable that the sheet 1 be firmly resting against the scalp of the head 9 before the selected strands of hair 8 are placed on panel 2. This helps to ensure that a greater portion of the selected strands of hair 8 can be encased and coated with the liquid colouring substance. It is not straightforward to do this with existing masking sheets.

[010] A way to ameliorate these problems has been sought.

[011] According to the invention there is provided a hairdresser's masking sheet of flexible material for masking selected strands of a head of hair from other strands of the hair while the selected strands are treated wherein the sheet comprises a substrate of flexible material and an adhesive portion whereby application of the adhesive portion to a portion of the head of hair selectively and removably unites the sheet with the strands of the portion of hair thereby brought into contact therewith characterised in that the sheet comprises a manipulation means having a flap for engagement with a tool such that the sheet may be manipulated by the tool.

[012] It has been found that the inclusion of a manipulation means on the masking sheet aids in overcoming the problems the hairdresser encounters when trying to position a masking sheet adjacent to the strands of hair selected for treatment and particularly to the roots of the strands of hair.

[013] In the prior art masking sheet, to position the masking sheet the hairdresser uses the fingers and thumb of their free hand to hold the sheet in a position so that margin 7 firmly rests adjacent the hair roots along the width of margin 7. In contrast, in the present invention the manipulation means enables the hairdresser to keep their free hand for holding the sheet in a position remote from the sheet so that their hand does not obstruct application of the strands of hair to the sheet. Also, because the free hand is remotely situated from the masking sheet, it is prevented from contacting and adhering to the adhesive portion of the sheet. Furthermore, the manipulation means may be used to position the sheet close to or at the roots of the selected strands of hair.

[014] According to the invention, there is also provided a hairdresser's masking sheet of flexible material for masking selected strands of a head of hair from other strands of the hair while the selected strands are treated wherein the sheet comprises a substrate of flexible material and an

adhesive portion whereby application of the adhesive portion to a portion of the head of hair selectively and removably unites the sheet with the strands of the portion of hair thereby brought into contact therewith characterised in that the sheet comprises a manipulation means having a flap for engagement with a tool such that the sheet may be manipulated by the tool and the sheet comprises a stiffening panel to support the manipulation means wherein the adhesive portion is provided on the stiffening panel.

[015] It has been found that the inclusion of a stiffening panel to support the manipulation means when the adhesive portion is provided on the stiffening panel particularly enhances the longitudinal stiffness of the masking sheet making the sheet easier for the hairdresser to manipulate.

[016] According to the invention, there is even further provided a hairdresser's masking kit comprising:

15 a masking sheet according to the invention; and

a tool comprising an elongate portion suitable for use with the manipulation means.

[017] In some aspects, the tool may be a rigid wire. The tool may also have a handle. The rigid wire may be curved such that, in use, the tool fits against the curve of a person's head. The tool may also be a styling comb used by a hairdresser with an elongate tail. In this way, when using the masking sheet the hairdresser can readily alternate between collecting the strands of hair to be treated using the toothed portion of a comb followed by using the tail of the comb to support the masking sheet.

25 There is also the further advantage that the hairdresser familiar with the prior art technique using aluminum foil can easily adapt to the similar technique involved in positioning the masking sheet of the invention.

[018] According to some aspects of the invention, the flap may be replaced by other manipulation means in the form of one or more tubes and/or a plurality of hooks. Where the masking sheet of the invention is used with a tool, the elongate portion of the tool may be inserted
5 underneath the flap or hooks or through the tube(s) so that the masking sheet can be positioned adjacent the roots of selected strands of hair to be treated.

[019] The masking sheet generally has a front side on which the selected strands of hair are placed and a rear side which faces the head of hair.
10 According to some aspects of the invention, the manipulation means is attached to the rear side of the sheet.

[020] According to some aspects of the invention, the manipulation means is formed from a material of greater stiffness than the substrate of flexible material. Particularly where the flexible material is a plastics
15 (e.g., polyethylene) film, the greater stiffness of the manipulation means helps to ensure that the manipulation means functions during use without collapsing under the weight of the masking sheet. The manipulation means may be formed from a waterproof and chemical-resistant wax- or plastics-coated paper. This provides a material with sufficient stiffness
20 which remains unaffected by exposure to the colouring and/or bleaching agents commonly used by a hairdresser.

[021] According to some aspects of the invention, the flap has a hinged portion adjacent a marginal edge of the sheet which is to be positioned adjacent selected strands of hair to be treated. The hinged portion
25 provides a stiffened edge to the sheet providing support and helping to prevent the sheet from crumpling in use.

[022] According to some aspects of the invention, the substrate of flexible material comprises a back panel joined to a front panel. This permits easy folding of the front panel to overlap with the back panel so

as to envelope the strands of hair being treated. The front panel may be made from a substantially transparent material which in use enables the hairdresser to view the strands of hair being treated.

[023] According to some aspects of the invention, the adhesive used for the adhesive portion is water soluble or water dispersible. This can enable the hairdresser to easily release the treated strands of hair from the masking sheet when treatment is complete.

[024] According to some aspects of the invention, the masking sheet includes a stiffening panel at its proximal end to support the manipulation means. The stiffening panel prevents the sheet from crumpling laterally or longitudinally when manipulated by a tool. The adhesive portion may be provided on a front side of the stiffening panel and the manipulation means may be provided on a rear side of the stiffening panel. The stiffening panel may overlap with the flexible substrate such that the sheet is not hinged where the stiffening panel and flexible substrate are joined.

[025] The invention will now be illustrated by way of example without limiting the scope of the invention claimed with reference to the following Figures of the accompanying drawings in which:

Figure 1 shows a plan view of a prior art sheet;

Figure 2 shows a cross-section of the sheet shown in Figure 1 when in use;

Figure 3 shows a diagrammatic representation of the sheet shown in Figure 1 when in use;

Figure 4 shows a schematic perspective view of the front of a first embodiment of a sheet according to the invention;

Figure 5 shows a schematic perspective view of the rear of the first embodiment;

Figure 6A shows a partial view of the rear of a first embodiment with alternative manipulation means in the form of tubes; and

5 **Figure 6B** shows a partial view of the rear of a first embodiment with an alternative manipulation means in the form of hooks;

Figure 7 shows a side-on cross-sectional view of a sheet according to a second embodiment of the invention; and

10 **Figure 8** shows a schematic view of a kit according to the present invention.

[026] Figure 4 shows a first embodiment of a masking sheet 20 according to the invention which comprises a manipulation means 45 for allowing the masking sheet 20 to be positioned by a tool (not shown) and an elongate substrate 24 which, in use, is used to envelope selected strands
15 of hair (not shown) wherein the elongate substrate 24 has a proximal end 150 which, in use, is placed on a head of hair (not shown) at which end 150 the manipulation means 45 is provided.

[027] Elongate substrate 24 is formed from a flexible material. It has, starting from its proximal end 150, an adhesive portion 30 which is
20 provided on a front side of the elongate substrate 24, an opaque supporting panel 35, and a substantially transparent enveloping panel 70 wherein supporting panel 35 is joined to enveloping panel 70 at join 75. In use, the enveloping panel 70 may be folded at join 75 over supporting
25 panel 35 and adhered to adhesive portion 30 so as to envelope selected strands of hair (not shown).

[028] The adhesive portion 30 extends up to proximal end 150 such that there is no margin between the adhesive portion 30 and proximal end 150

which is free from adhesive. This is useful because it enables the product to be attached to the roots of the hair. The adhesive used is water dispersible so that the masking sheet is removed when the head of hair is washed.

- 5 [029] Join 75 acts as a hinge to aid the folding of enveloping panel 70 over supporting panel 35. Join 75 is formed by enveloping panel 70 being welded to supporting panel 35. Alternatively, join 75 is formed by welding supporting panel 35 to enveloping panel 70 or by co-extruding supporting panel 35 and enveloping panel 70.
- 10 [030] In Figure 5, manipulation means 45 is shown in the form of a flap provided on a rear side of elongate substrate 24 at proximal end 150. Manipulation means 45 is formed from a sheet of glassine paper. Starting from proximal end 150 of elongate substrate 24, manipulation means 45 has a transverse strip 55 by which the manipulation means 45 is mounted
15 on the rear side of elongate substrate 24 and a flap 50 for engaging with a tool. Where flap 50 meets the transverse strip 55, the manipulation means 45 is folded to form hinge 60 such that a tool (not shown) can be inserted under flap 50. As an alternative to the embodiment shown in Figures 4 and 5, manipulation means 45 may be mounted on the rear of
20 elongate substrate 24 such that it is spaced from proximal end 150. As a further alternative, the manipulation means is formed from an alternative waterproof and chemical-resistant wax- or plastics-coated paper such as a silicone-coated paper.

- [031] In Figures 6A and 6B of the drawings, there are shown partial rear
25 views of sheet 20 with alternative manipulation means 145, 245. Like features to the first embodiment shown in Figures 4 and 5 are denoted by like reference numerals. In Figure 6A, manipulation means 145 has a pair of cylindrical tubes 100 shaped to received an elongate tool (not shown) provided on each side of proximal end 150 of elongate substrate

24. Alternatively, the pair of cylindrical tubes 100 may be provided on a rear side of elongate substrate 24 at proximal end 150. In Figure 6B, manipulation means 245 has a pair of hooks 205 each provided close to a lateral edge of the rear side of elongate substrate 24 at proximal end 150.

5 [032] Figure 7 shows a sheet 120 according to a second embodiment of the invention which comprises a stiffening panel 125 on which is provided a manipulation means 45 for allowing the masking sheet 120 to be manipulated by a tool (not shown) and an elongate substrate 124 which, in use, is used to envelope selected strands of hair (not shown) wherein the
10 stiffening panel 125 overlaps elongate substrate 124 where they are joined. Like features of the second embodiment to the first are denoted by like reference numerals.

[033] Stiffening panel 125 has an adhesive portion 130 provided on its front side. Stiffening panel 125 is provided at a proximal end of sheet
15 120 such that, in use, it is placed on a head of hair (not shown). Manipulation means 45 is provided on a rear side of the stiffening panel 125 at its proximal end. The distal end of stiffening panel 125 overlaps with elongate substrate 124.

[034] Elongate substrate 124 is formed from a flexible material. It has
20 an opaque supporting panel 35, and a substantially transparent enveloping panel 70 wherein supporting panel 35 is joined to enveloping panel 70 at join 75. In use, the enveloping panel 70 may be folded at join 75 over supporting panel 35 and adhered to adhesive portion 130 so as to envelope selected strands of hair (not shown). Thus enveloping panel 70 has a
25 greater length than supporting panel 35.

[035] Figure 8 shows a kit 200 according to the invention which comprises a pack 220 of 10 sheets (not shown) according to the invention and a tool 221. Tool 221 has a rod 222 joined to a tool handle 223 for a hairdresser to hold so as to control tool 221 in order to support a sheet

20,120 in use. Rod 222 is curved such that, in use, tool 221 fits against the curve of a person's head (not shown). As an alternative to the kit 200 shown in Figure 8, the number of sheets according to the invention included in the kit may be changed to any number of sheets from 1 to 5 1000, for example. As a further alternative, the kit 200 may include a plurality of tools 221, for example from 2 to 5.

CLAIMS

1. A hairdresser's masking sheet of flexible material for masking selected strands of a head of hair from other strands of the hair while the selected strands are treated wherein the sheet comprises a substrate of flexible material and an adhesive portion whereby application of the adhesive portion to a portion of the head of hair selectively and removably unites the sheet with the strands of the portion of hair thereby brought into contact therewith characterised in that the sheet comprises a manipulation means having a flap for engagement with a tool such that the sheet may be manipulated by the tool.
2. The sheet as defined in claim 1, wherein the manipulation means is adapted for receiving a tool comprising an elongate portion.
3. The sheet as defined in claim 2, wherein the elongate portion comprises the tail of a styling comb.
4. The sheet as defined in any one of the preceding claims which comprises a stiffening panel to support the manipulation means.
5. The sheet as defined in claim 4 wherein the adhesive portion is provided on the stiffening panel.
6. The sheet as defined in claim 4 or claim 5 wherein the stiffening panel overlaps the flexible substrate.
7. The sheet as defined in claim 5, wherein the stiffening panel overlaps the flexible substrate.
8. The sheet as defined in any one of the preceding claims, wherein the manipulation means is formed from a material of greater stiffness than the substrate of flexible material.

9. The sheet as defined in any one of the preceding claims, wherein the manipulation means is formed from a wax- or plastics-coated paper, preferably glassine paper.
10. The sheet as defined in any one of the preceding claims, wherein
5 the manipulation means comprises a hinged portion which is attached adjacent to an edge of the sheet.
11. A hairdresser's masking kit comprising:
- a masking sheet as defined in any one of the preceding claims; and
- a tool comprising an elongate portion suitable for use with the
10 manipulation means when treating selected strands of a head of hair.

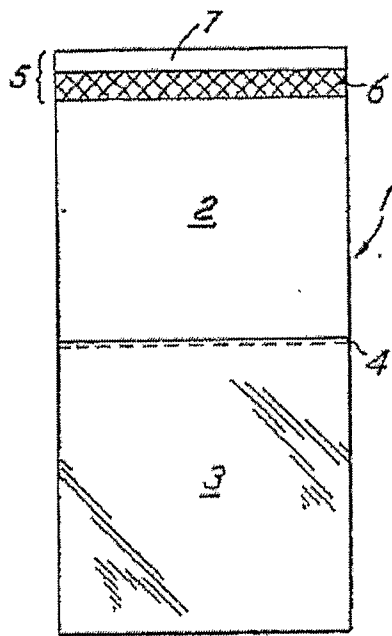


FIG. 1

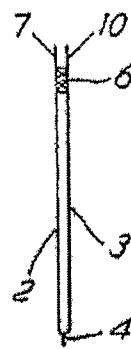


FIG. 2

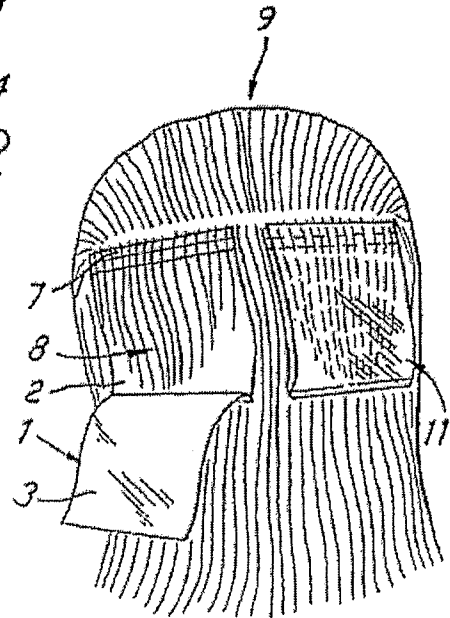


FIG. 3

2/6

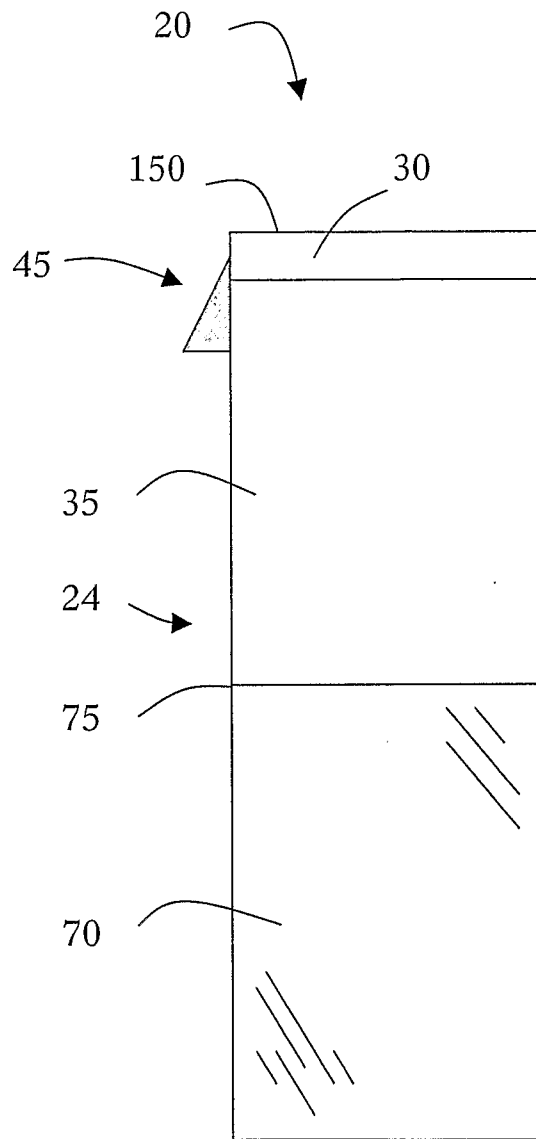


Figure 4

3/6

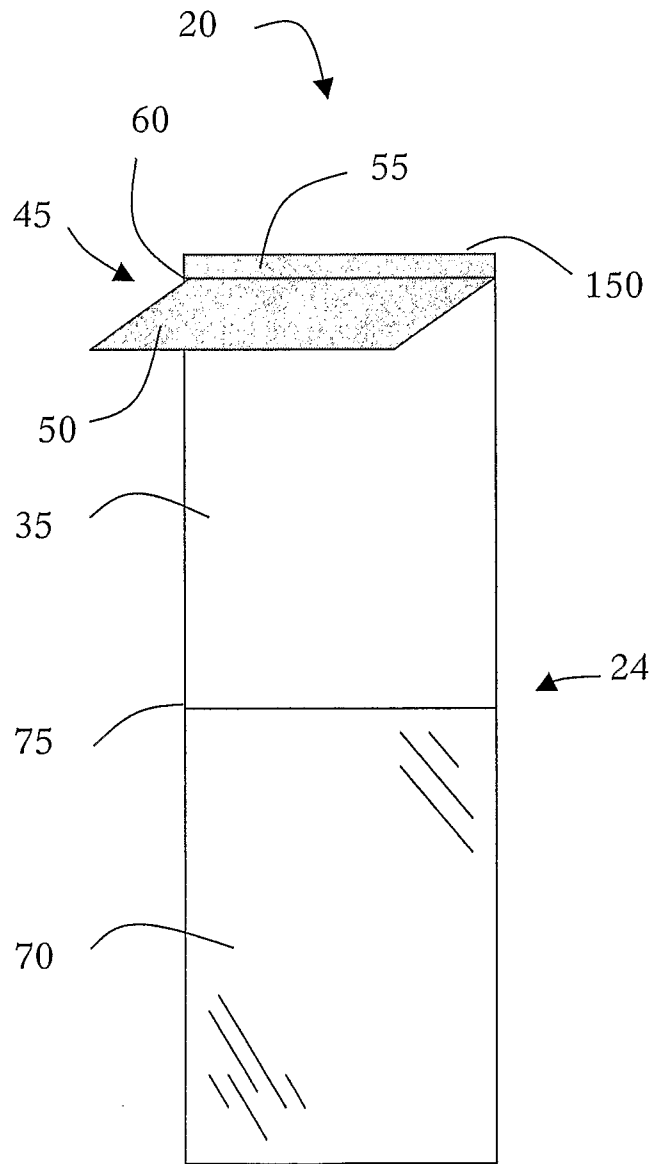


Figure 5

4/6

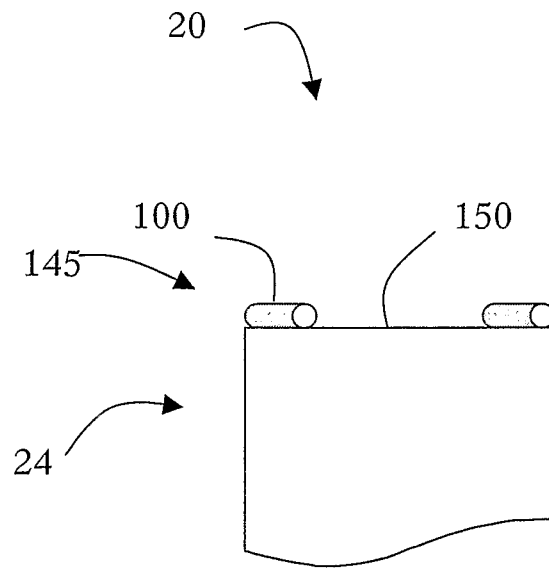


Figure 6A

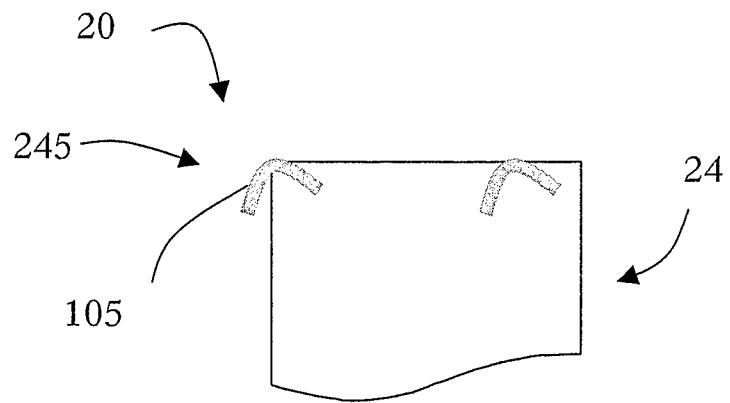


Figure 6B

5/6

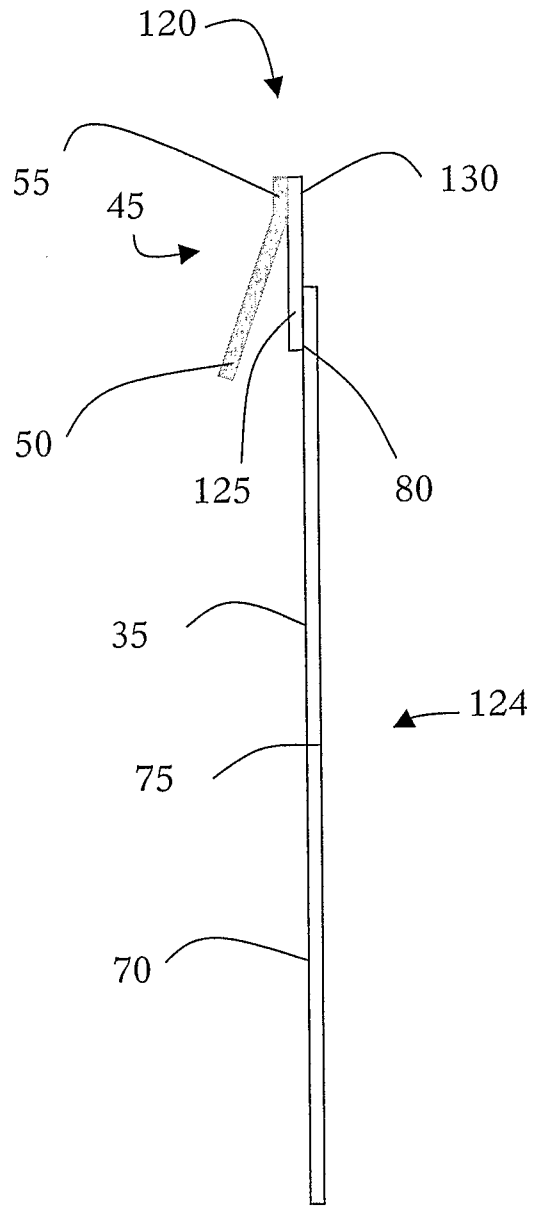


Figure 7

6/6

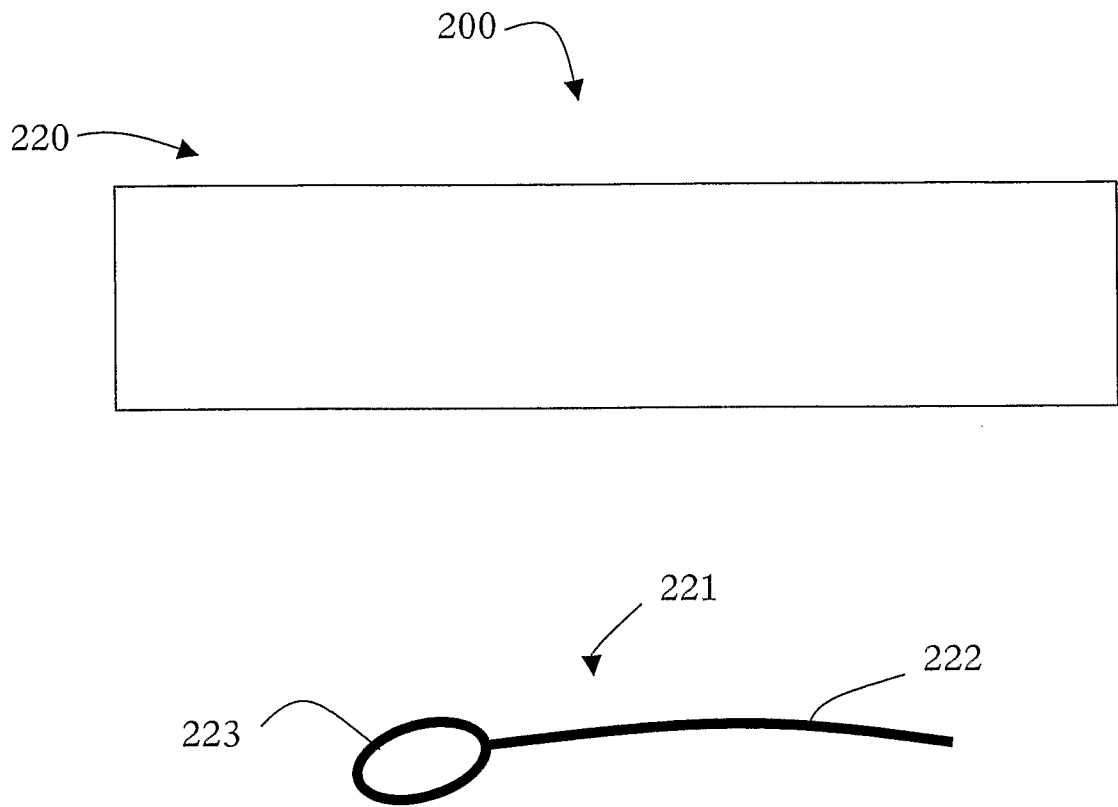


Figure 8

INTERNATIONAL SEARCH REPORT

International application No
PCT/GB2007/004049

A. CLASSIFICATION OF SUBJECT MATTER
INV. A45D19/00

According to International Patent Classification (IPC) or to both national classification and IPC

B. FIELDS SEARCHED

Minimum documentation searched (classification system followed by classification symbols)
A45D

Documentation searched other than minimum documentation to the extent that such documents are included in the fields searched

Electronic data base consulted during the international search (name of data base and, where practical, search terms used)

EPO-Internal, WPI Data

C. DOCUMENTS CONSIDERED TO BE RELEVANT

Category*	Citation of document, with indication, where appropriate, of the relevant passages	Relevant to claim No.
X	DE 20 2005 012323 U1 (STOLL MELANIE [DE]) 20 October 2005 (2005-10-20)	1-9
Y	the whole document	11
X	US 6 237 608 B1 (KARI OLLIE [US]) 29 May 2001 (2001-05-29)	1-3
A	column 1, lines 10-13 column 2, lines 27,28 column 4, lines 24-40; figures 9,10	9
X	US 5 535 764 A (ABRAMSON KEVIN G [US]) 16 July 1996 (1996-07-16)	1-3,11
Y		11
A	column 3, lines 63-67 column 4, lines 1-25 column 5, lines 32-35; figures 1,6	9,10
	----- -/--	

Further documents are listed in the continuation of Box C.

See patent family annex.

* Special categories of cited documents :

- *A* document defining the general state of the art which is not considered to be of particular relevance
- *E* earlier document but published on or after the international filing date
- *L* document which may throw doubts on priority claim(s) or which is cited to establish the publication date of another citation or other special reason (as specified)
- *O* document referring to an oral disclosure, use, exhibition or other means
- *P* document published prior to the international filing date but later than the priority date claimed

- *T* later document published after the international filing date or priority date and not in conflict with the application but cited to understand the principle or theory underlying the invention
- *X* document of particular relevance; the claimed invention cannot be considered novel or cannot be considered to involve an inventive step when the document is taken alone
- *Y* document of particular relevance; the claimed invention cannot be considered to involve an inventive step when the document is combined with one or more other such documents, such combination being obvious to a person skilled in the art.
- *Z* document member of the same patent family

Date of the actual completion of the international search

24 January 2008

Date of mailing of the international search report

11/02/2008

Name and mailing address of the ISA/

European Patent Office, P.B. 5818 Patentlaan 2
NL - 2280 HV Rijswijk
Tel. (+31-70) 340-2040, Tx. 31 651 epo nl,
Fax: (+31-70) 340-3016

Authorized officer

Escudero, Raquel

INTERNATIONAL SEARCH REPORT

International application No
PCT/GB2007/004049

C(Continuation). DOCUMENTS CONSIDERED TO BE RELEVANT

Category*	Citation of document, with indication, where appropriate, of the relevant passages	Relevant to claim No.
X	GB 2 140 682 A (SANDERS BERNARD) 5 December 1984 (1984-12-05) cited in the application	1-3, 10
Y	page 2, lines 5-13, 60-93	11
A	page 3, lines 12-19, 31-33 figures 1-3 -----	5-7
X	US 5 287 864 A (GALLO MICHAEL [US]) 22 February 1994 (1994-02-22) column 4, line 25 - column 5, line 12; figures 1, 3-5 -----	1-4, 6
P, X	GB 2 432 117 A (CHEUNG YUEN PONG [GB]) 16 May 2007 (2007-05-16) page 5, line 6 - page 6, line 13; figures 1-7 -----	1-3

INTERNATIONAL SEARCH REPORT

Information on patent family members

International application No

PCT/GB2007/004049

Patent document cited in search report	Publication date	Patent family member(s)	Publication date
DE 202005012323 U1	20-10-2005	NONE	
US 6237608	B1	29-05-2001	NONE
US 5535764	A	16-07-1996	NONE
GB 2140682	A	05-12-1984	
		AU 573580 B2	16-06-1988
		AU 2646184 A	18-10-1984
		CA 1252014 A1	04-04-1989
		DE 3474902 D1	08-12-1988
		EP 0122145 A2	17-10-1984
		ES 278748 U	16-10-1984
		HK 46989 A	16-06-1989
		JP 2516440 Y2	06-11-1996
		JP 8000982 U	21-06-1996
		JP 60034404 A	22-02-1985
		PT 78397 A	01-05-1984
		SG 7689 G	09-06-1989
		US 4637411 A	20-01-1987
		ZA 8402633 A	27-02-1985
US 5287864	A	22-02-1994	NONE
GB 2432117	A	16-05-2007	
		WO 2007054744 A1	18-05-2007