



US00D673126S

(12) **United States Design Patent**
Donofrio et al.

(10) **Patent No.:** **US D673,126 S**

(45) **Date of Patent:** **** Dec. 25, 2012**

(54) **LED CHIP**

(75) Inventors: **Matthew Donofrio**, Raleigh, NC (US);
James Ibbetson, Santa Barbara, CA
(US)

(73) Assignee: **Cree, Inc.**, Durham, NC (US)

(**) Term: **14 Years**

(21) Appl. No.: **29/396,911**

(22) Filed: **Jul. 8, 2011**

(51) **LOC (9) Cl.** **13-03**

(52) **U.S. Cl.** **D13/180**

(58) **Field of Classification Search** D13/180;
D26/1, 2; 257/79, 80, 81, 88, 89, 95, 98,
257/99, 100, E33.058; 313/483, 498, 500;
362/555, 800

See application file for complete search history.

(56) **References Cited**

U.S. PATENT DOCUMENTS

D598,871	S	*	8/2009	Eberle et al.	D13/180
D615,504	S	*	5/2010	Keller et al.	D13/180
7,772,604	B2	*	8/2010	Duong et al.	257/95
7,855,395	B2	*	12/2010	Lee et al.	257/99
D631,020	S	*	1/2011	Chuang et al.	D13/180
7,906,788	B2	*	3/2011	Nagai	257/88
D637,565	S	*	5/2011	Wu et al.	D13/180
D640,643	S	*	6/2011	Hsieh	D13/180
D642,143	S	*	7/2011	Kuwaharada et al.	D13/180
D650,343	S	*	12/2011	Andrews et al.	D13/180

D651,989	S	*	1/2012	Lin	D13/180
8,119,534	B2		2/2012	Tanaka et al.	
2009/0039381	A1	*	2/2009	Kim et al.	257/99
2009/0108281	A1	*	4/2009	Keller et al.	257/98
2011/0062482	A1	*	3/2011	Solomensky et al.	257/99
2011/0248289	A1	*	10/2011	Hsieh et al.	257/88
2011/0260192	A1	*	10/2011	Kwak et al.	257/98
2011/0278627	A1	*	11/2011	Kim et al.	257/98
2011/0291154	A1	*	12/2011	Noichi et al.	257/99

* cited by examiner

Primary Examiner — Selina Sikder

(74) *Attorney, Agent, or Firm* — Myers Bigel Sibley & Sajovec

(57) **CLAIM**

The ornamental design for LED chip, as shown and described.

DESCRIPTION

FIG. 1 is a top perspective view of the LED chip showing our design;

FIG. 2 is a bottom perspective view thereof;

FIG. 3 is a top view thereof;

FIG. 4 is a front view thereof;

FIG. 5 is a bottom view thereof;

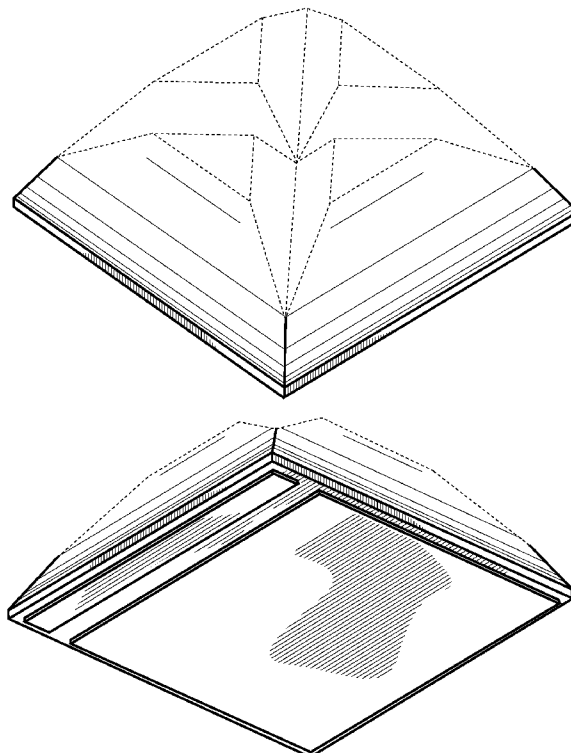
FIG. 6 is a back view thereof;

FIG. 7 is a side view thereof; and,

FIG. 8 is an opposing side view thereof.

The broken lines shown herein are for illustrative purposes only and form no part of the claimed design.

1 Claim, 3 Drawing Sheets



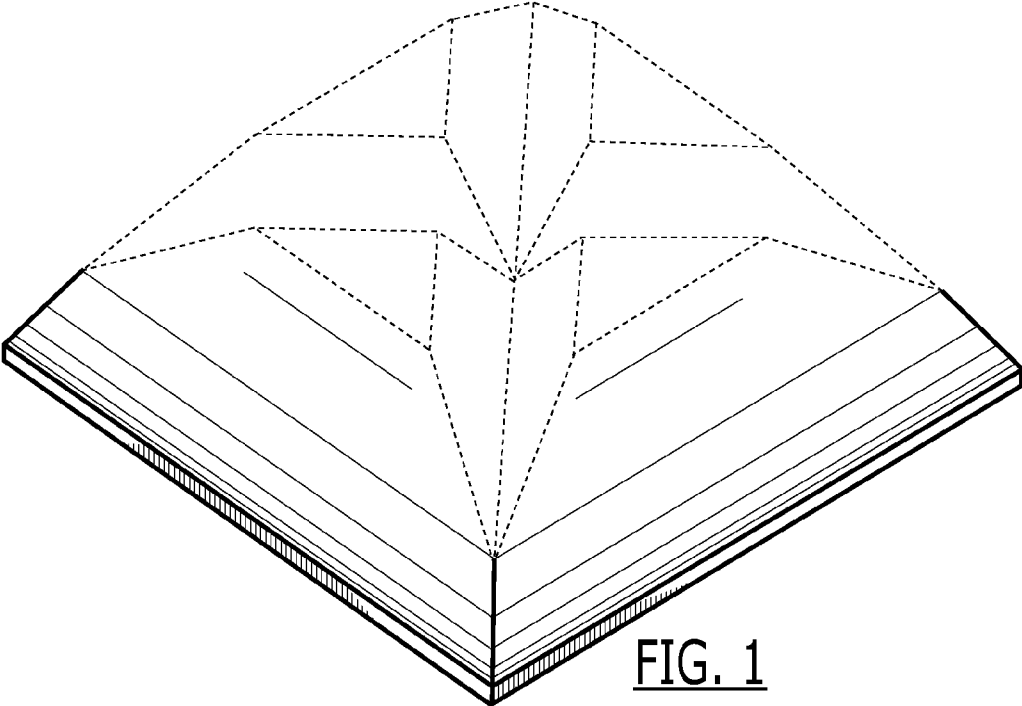


FIG. 1

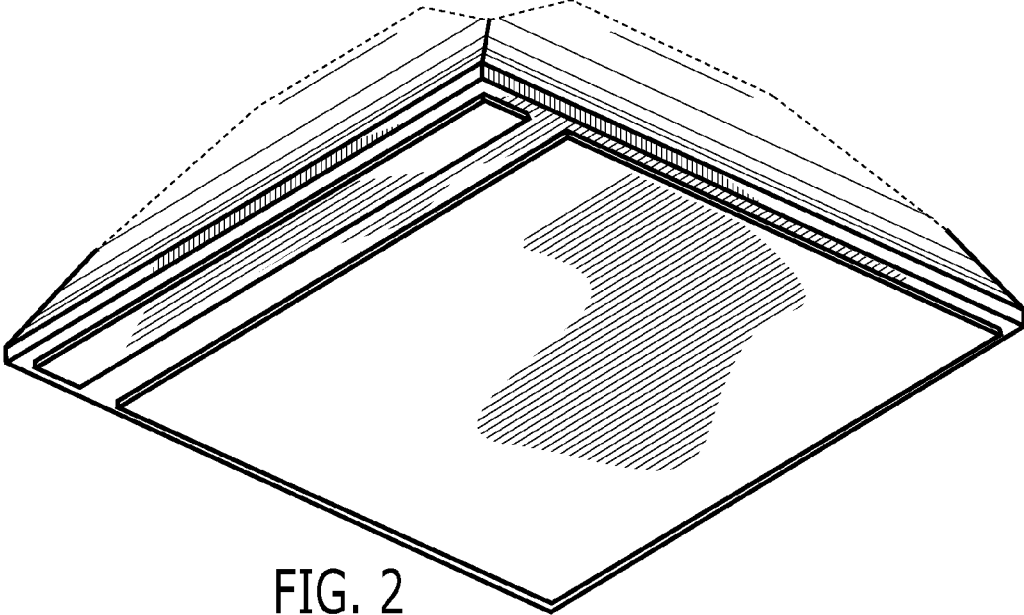


FIG. 2

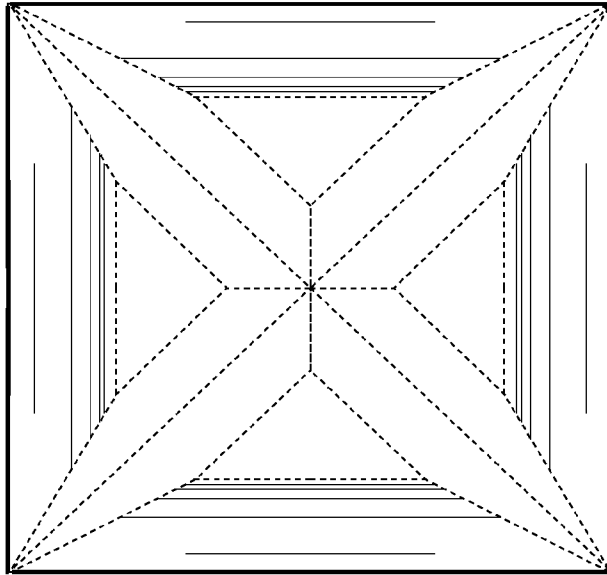


FIG. 3

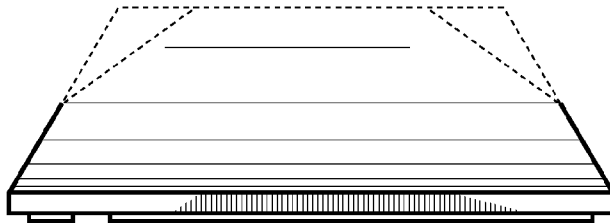


FIG. 4

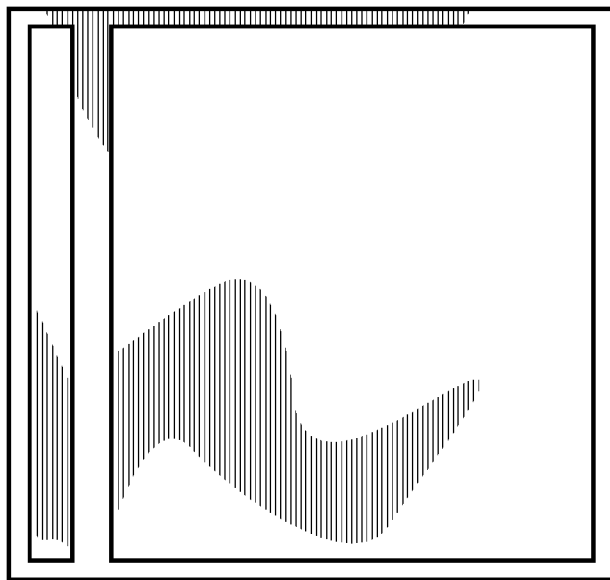


FIG. 5

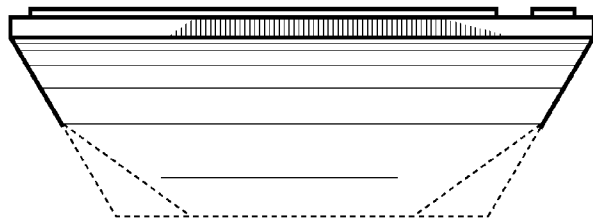


FIG. 6

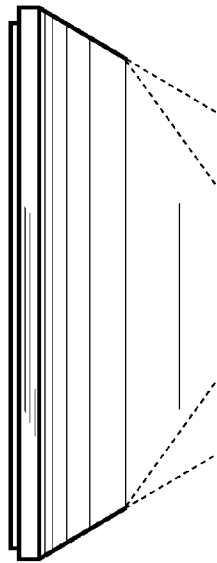


FIG. 7

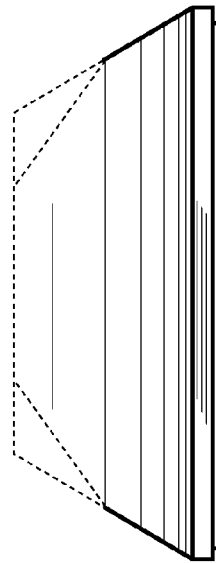


FIG. 8