



US0D1048521S

(12) **United States Design Patent**  
**Xin**

(10) **Patent No.:** **US D1,048,521 S**

(45) **Date of Patent:** **\*\* \*Oct. 22, 2024**

- (54) **PROJECTION LAMP**
- (71) Applicant: **Yuanting Xin**, Shenzhen (CN)
- (72) Inventor: **Yuanting Xin**, Shenzhen (CN)
- (\* ) Notice: This patent is subject to a terminal disclaimer.
- (\*\*) Term: **15 Years**

D964,636 S *	9/2022	Zheng	.....	D26/110
D969,394 S *	11/2022	Zheng	.....	D26/104
D981,637 S *	3/2023	Peng	.....	D26/104
11,662,071 B1 *	5/2023	Wang	.....	F21V 5/04
				362/268
11,698,187 B1 *	7/2023	Zheng	.....	G03B 31/00
				362/86
2021/0364142 A1 *	11/2021	Zheng	.....	F21V 3/049
2023/0230508 A1 *	7/2023	Liu	.....	G09B 27/04
				353/20

- (21) Appl. No.: **29/834,575**
- (22) Filed: **Apr. 13, 2022**

- (30) **Foreign Application Priority Data**
- Mar. 25, 2022 (CN) ..... 202230160786.9
- (51) **LOC (14) Cl.** ..... **26-05**
- (52) **U.S. Cl.**
- USPC ..... **D26/104**; D26/106; D26/110
- (58) **Field of Classification Search**
- USPC ..... D16/101, 134, 135, 137, 221, 222, 305, D16/317; D26/24, 93, 104, 106, 108, D26/110-112, 113, 118, 120, 122-124
- CPC .... F21S 6/00; F21S 6/002; F21S 6/003; F21S 10/007; F21S 10/02; F21S 10/06; F21S 10/063; F21V 5/046; F21V 7/045; F21W 2121/008
- See application file for complete search history.

- (56) **References Cited**
- U.S. PATENT DOCUMENTS**
- D689,221 S \* 9/2013 Isaac ..... D26/24
- D927,751 S \* 8/2021 Zheng ..... D26/94
- D930,222 S \* 9/2021 Song ..... D26/106
- 11,281,083 B1 \* 3/2022 Xin ..... G03B 21/145
- D953,590 S \* 5/2022 Zheng ..... D26/104
- D953,609 S \* 5/2022 Zheng ..... D26/104
- D956,322 S \* 6/2022 Li ..... D26/106
- D959,728 S \* 8/2022 Li ..... D26/104

**OTHER PUBLICATIONS**

Ibell LED Starry Sky Projector, first available Jan. 19, 2022, retrieved Apr. 5, 2024 from URL: <https://www.amazon.de/Sternenhimmel-Beleuchtung-Effekten-Fernbedienung-Nachtlicht-Erwachsene/dp/B09QPR6PTS/> (Year: 2022).\*

\* cited by examiner

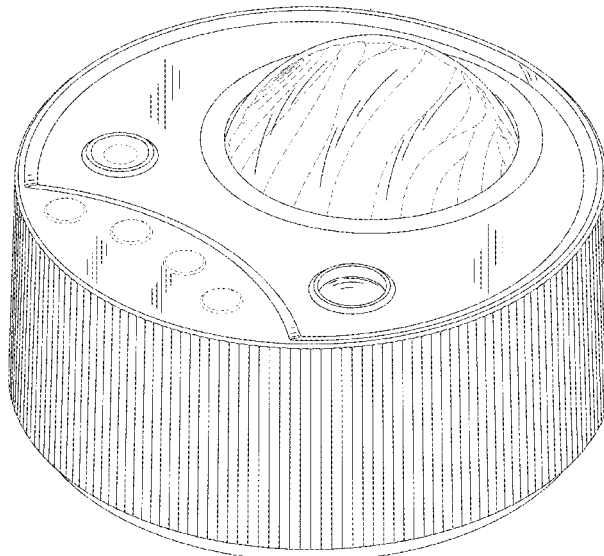
*Primary Examiner* — Jennifer Rivard  
*Assistant Examiner* — Christina M. Dodson  
(74) *Attorney, Agent, or Firm* — Jose Cherson Weissbrot

- (57) **CLAIM**
- The ornamental design for a projection lamp, as shown and described.

**DESCRIPTION**

FIG. 1 is a first perspective view of a projection lamp showing my new design;  
FIG. 2 is a second perspective view thereof;  
FIG. 3 is a front view thereof;  
FIG. 4 is a back view thereof;  
FIG. 5 is a left side view thereof;  
FIG. 6 is a right side view thereof;  
FIG. 7 is a top view thereof; and,  
FIG. 8 is a bottom view thereof.  
The broken lines shown in the drawings depict portions of the projection lamp that form no part of the claimed design.

**1 Claim, 8 Drawing Sheets**



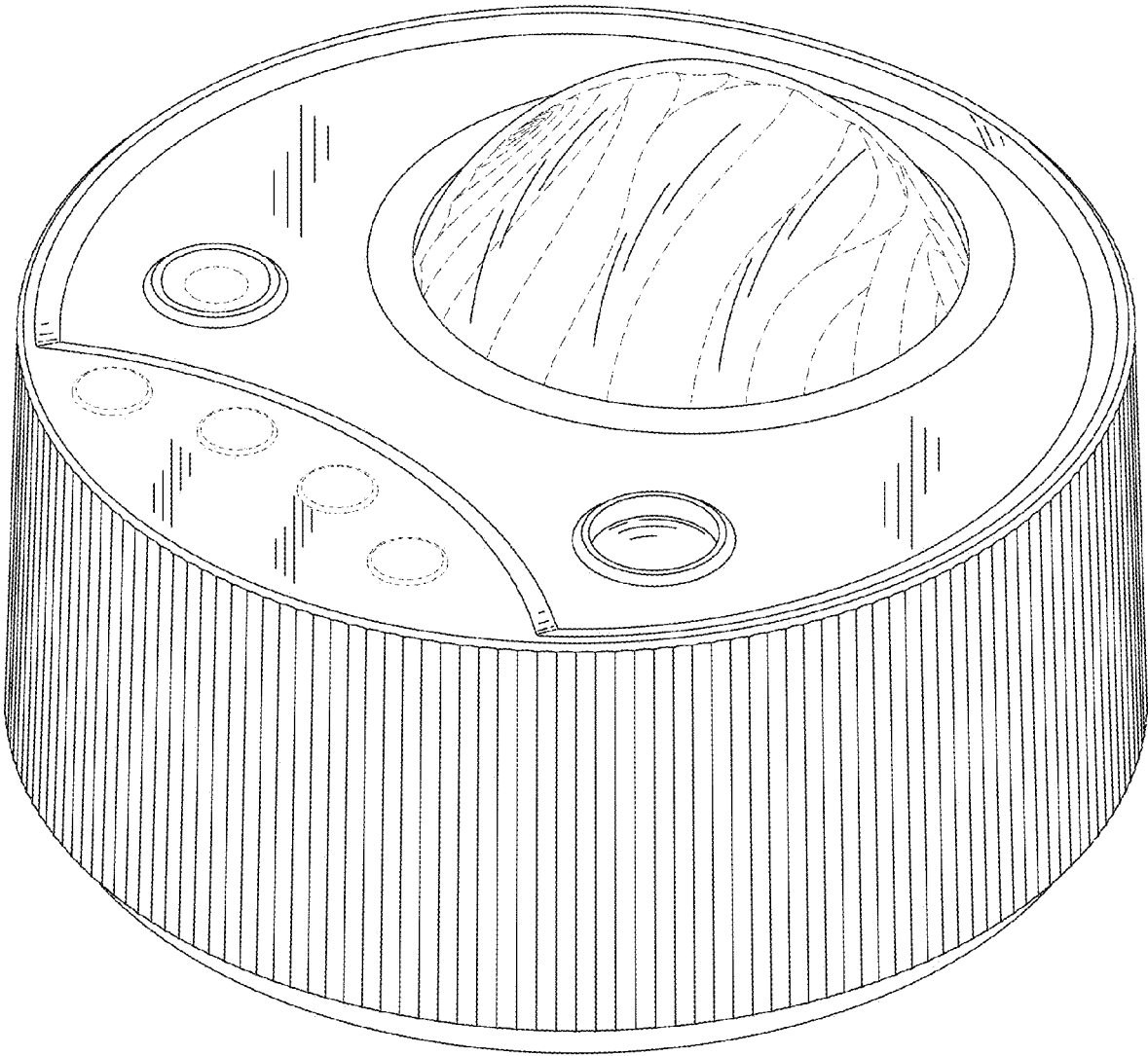


FIG. 1

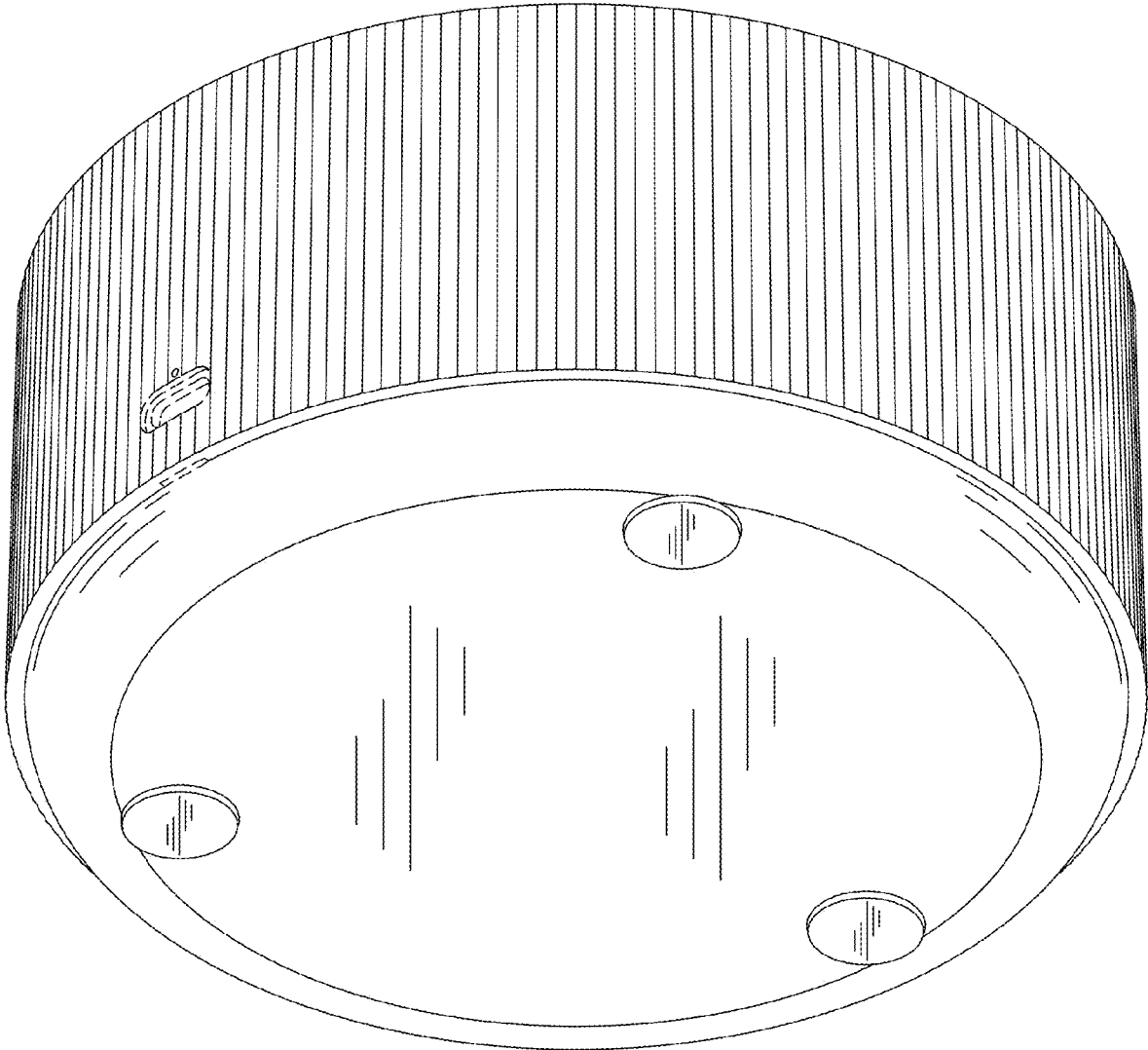


FIG. 2

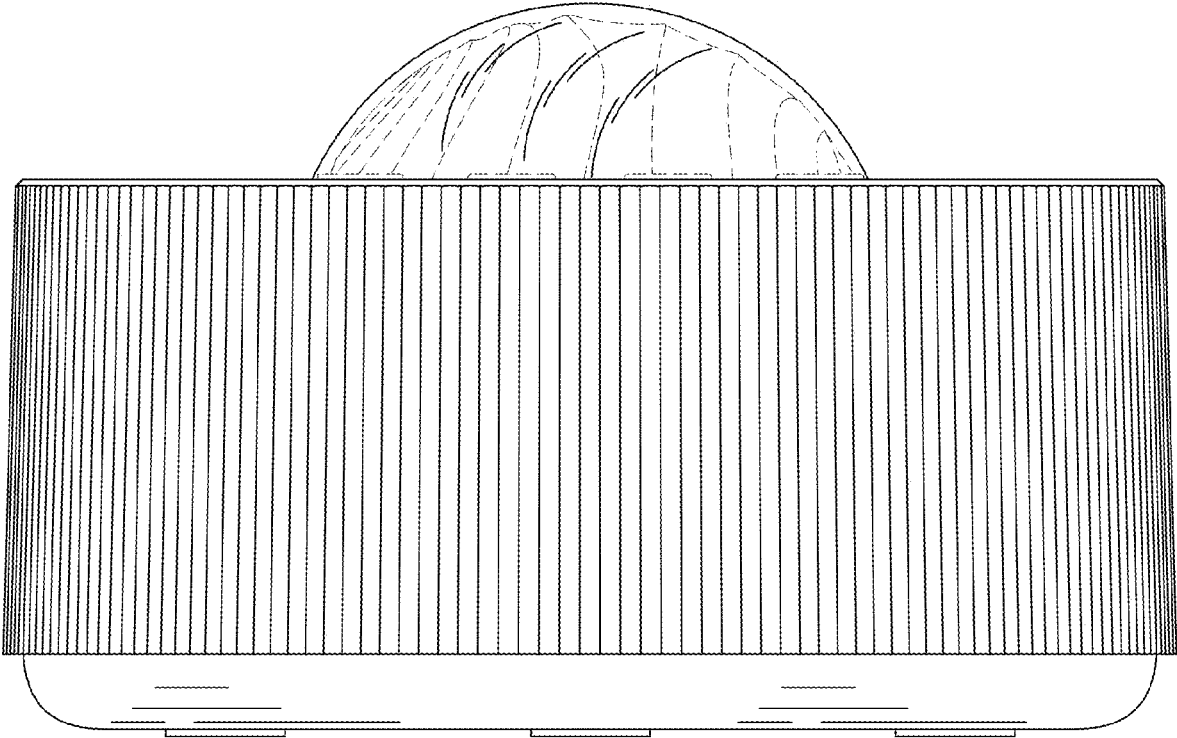


FIG. 3

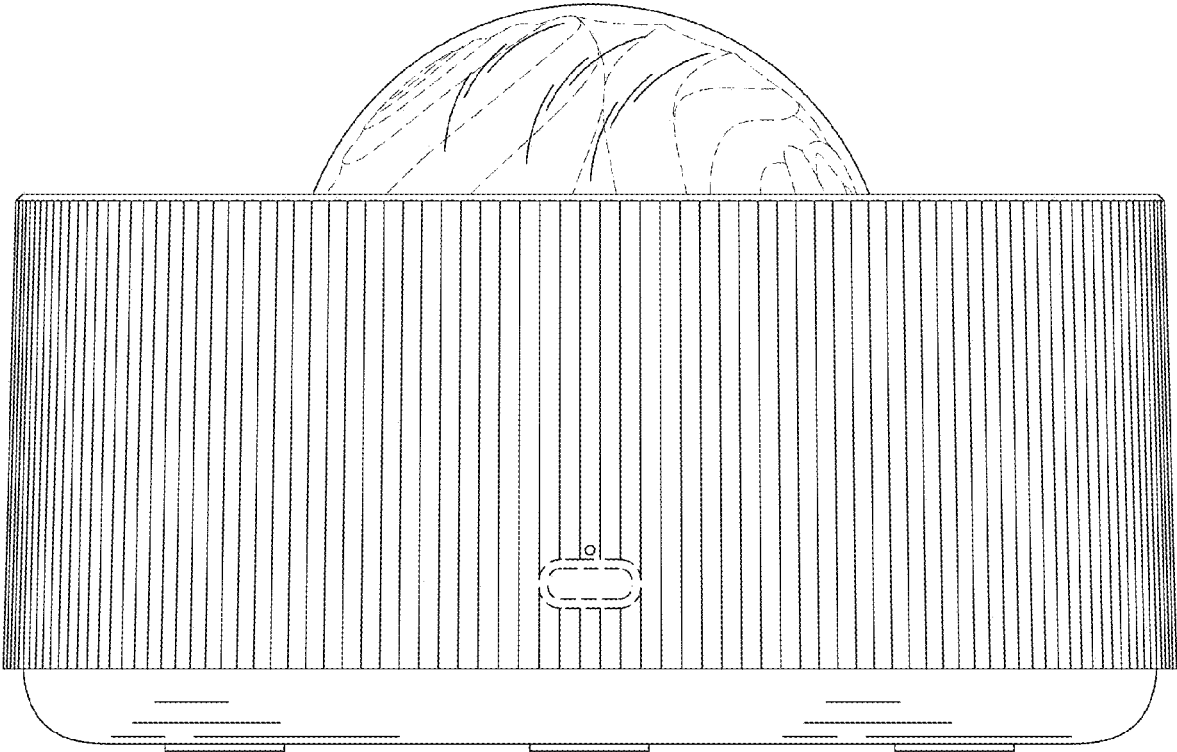


FIG. 4

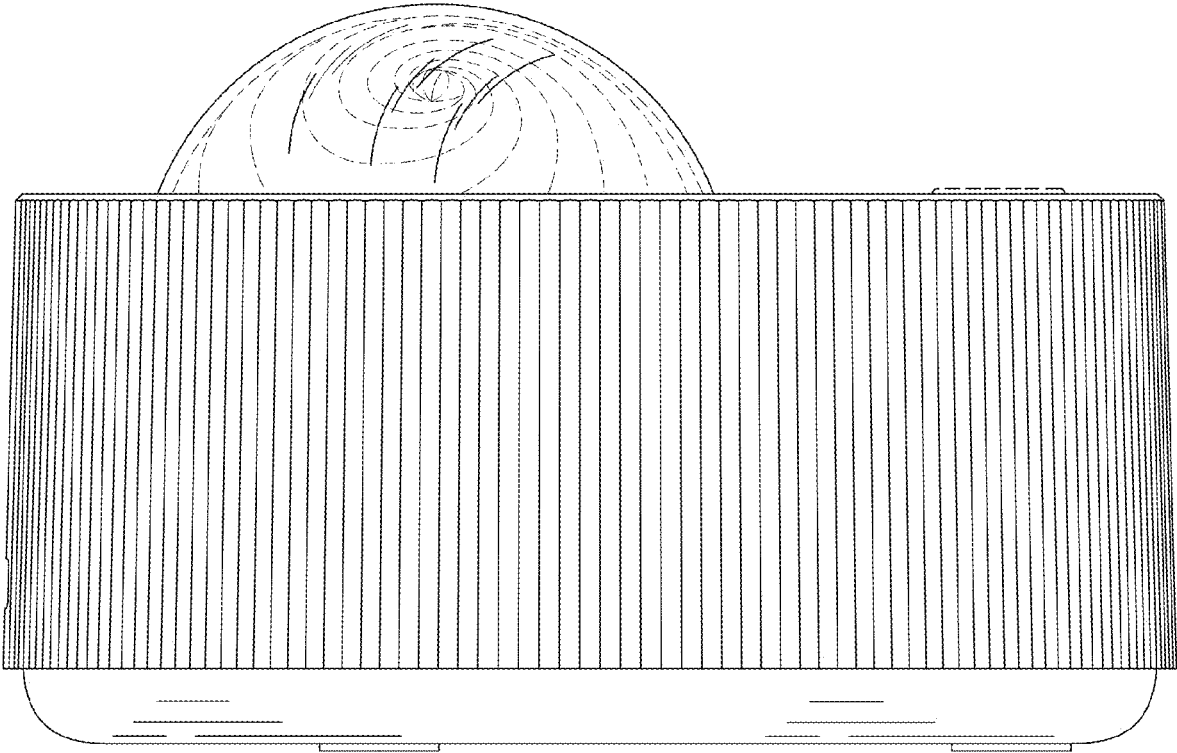


FIG. 5

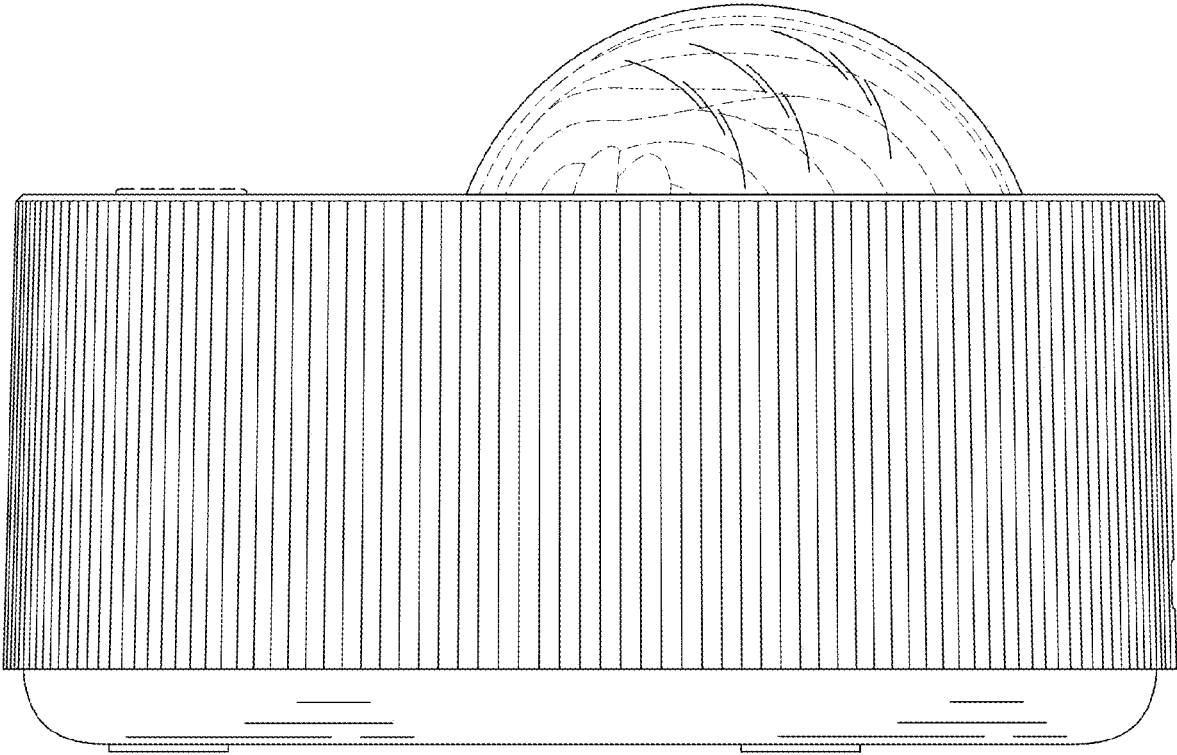


FIG. 6

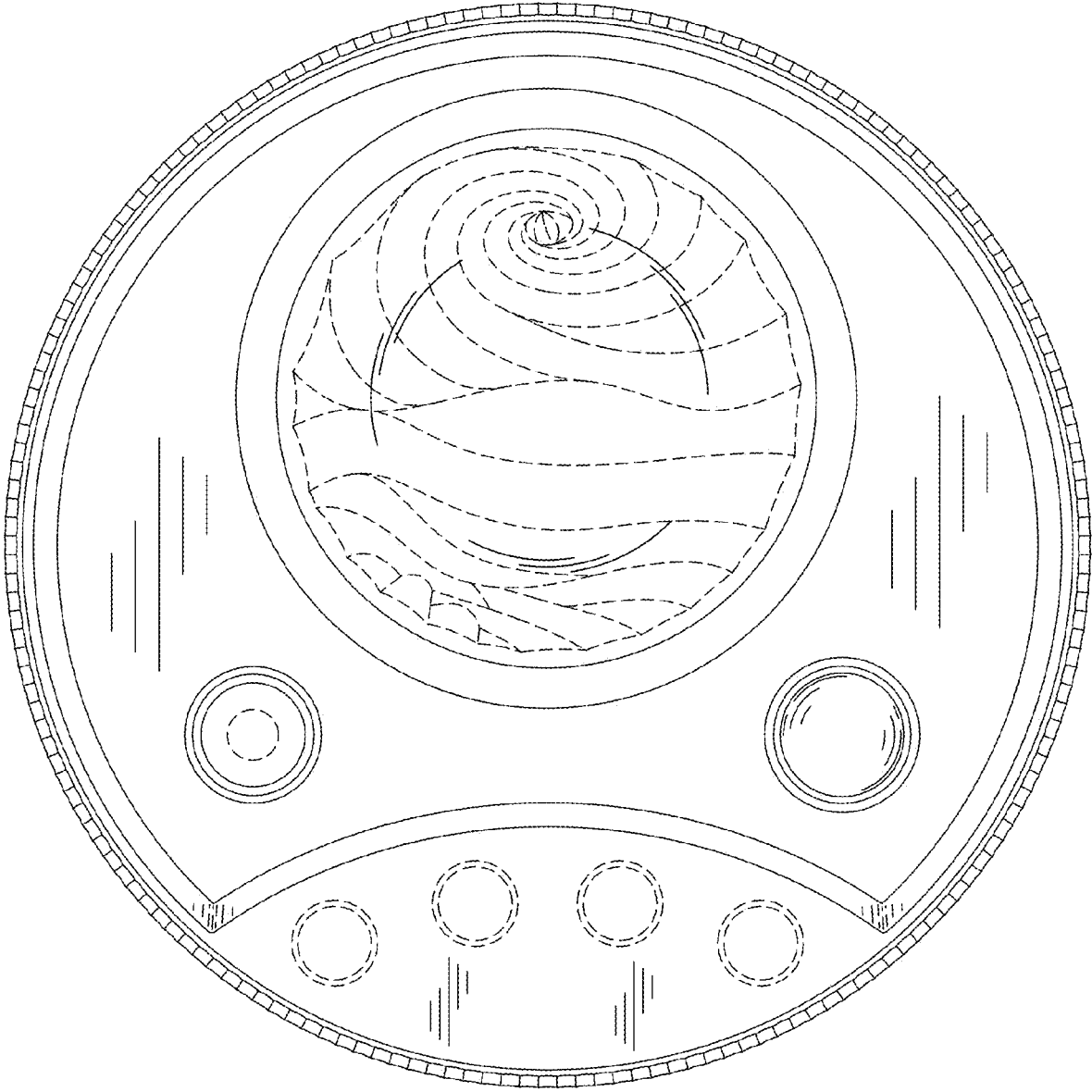


FIG. 7



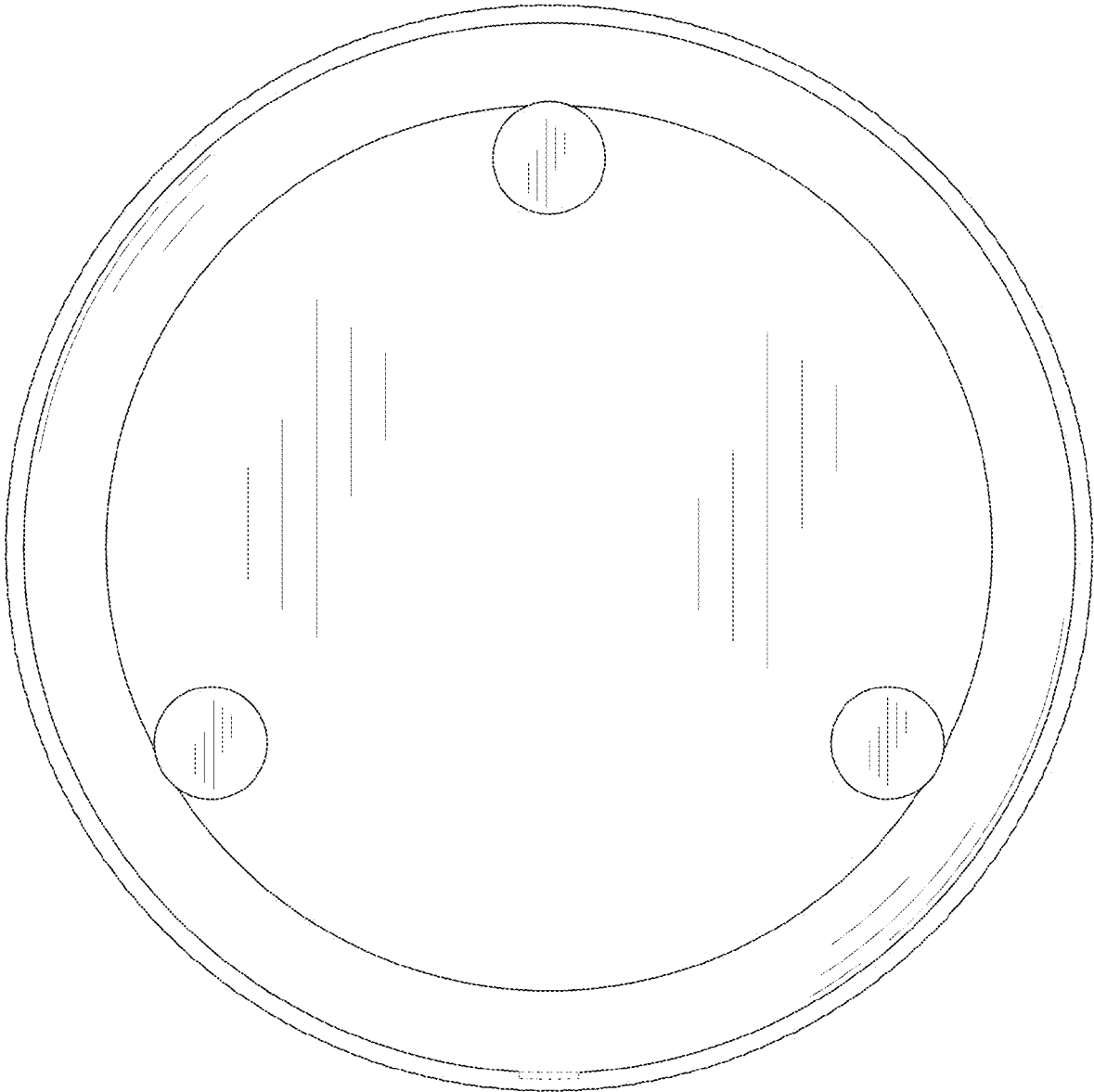


FIG. 8