



US00D977074S

(12) **United States Design Patent**
Chang

(10) **Patent No.:** **US D977,074 S**

(45) **Date of Patent:** **** Jan. 31, 2023**

- (54) **FAUCET**
- (71) Applicant: **Juanhong Chang**, Suzhou (CN)
- (72) Inventor: **Juanhong Chang**, Suzhou (CN)
- (**) Term: **15 Years**
- (21) Appl. No.: **29/865,480**
- (22) Filed: **Jul. 27, 2022**
- (51) **LOC (14) Cl.** **23-01**
- (52) **U.S. Cl.**
USPC **D23/242**
- (58) **Field of Classification Search**
USPC D23/213, 214, 215, 223, 224, 226, 229,
D23/230, 238, 242
CPC A61H 9/0021; A61H 33/00; B05B 1/00;
B05B 1/14; B05B 1/185; B05B 1/08;
B05B 1/02; B05B 1/26; B05B 12/002;
B05B 1/18; B05B 9/01
See application file for complete search history.

D904,569 S *	12/2020	Pan	D23/242
D906,481 S *	12/2020	Zhao	D23/242
D926,939 S *	8/2021	Mamaril	D23/242
D946,122 S *	3/2022	Park	D23/242
D961,051 S *	8/2022	Zeng	D23/241

OTHER PUBLICATIONS

Roffenny Brushed Nickel Bathroom Faucet, Jul. 26, 2021, amazon.ca, Oct. 4, 2022, URL: <https://www.amazon.ca/ROFFENNY-Brushed-Bathroom-Widespread-Faucets/dp/B09B79RKTC/> (Year: 2021).*

Delta Faucet Trinsic Chrome Bathroom Faucet, Jun. 29, 2021, amazon.ca, Oct. 4, 2022, URL: <https://www.amazon.ca/Delta-Faucet-2559-MPU-DST-Trinsic-Centerset/dp/B097YV6H5F/> (Year: 2021).*

* cited by examiner

Primary Examiner — Keith J Wilson

(57) **CLAIM**

The ornamental design for a faucet, as shown and described.

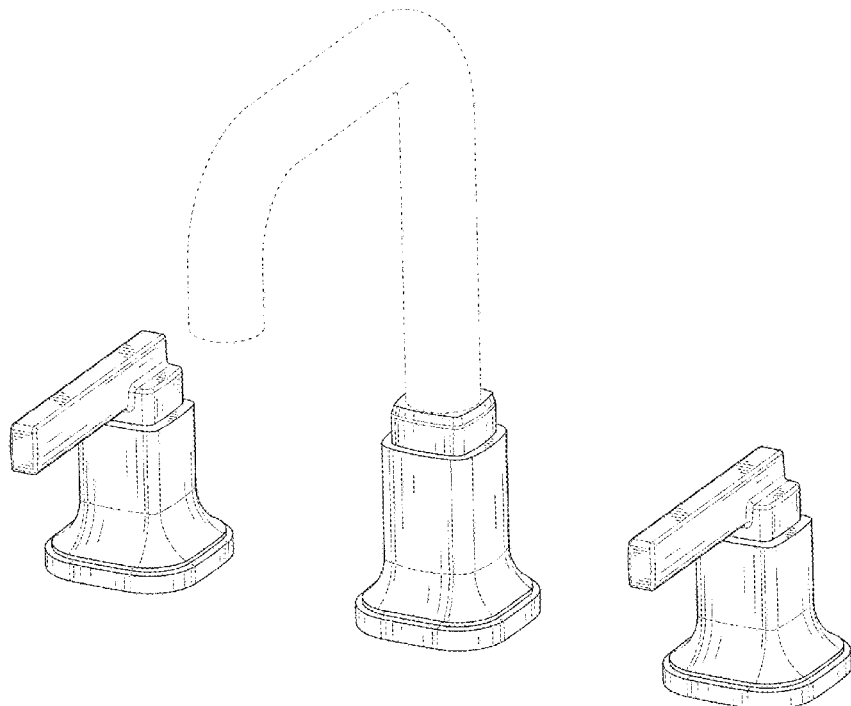
DESCRIPTION

FIG. 1 is a perspective view of a faucet showing my new design;
 FIG. 2 is another perspective view thereof;
 FIG. 3 is a front elevational view thereof;
 FIG. 4 is a rear elevational view thereof;
 FIG. 5 is a left side elevational view thereof;
 FIG. 6 is a right side elevational view thereof;
 FIG. 7 is a top plan view thereof; and,
 FIG. 8 is a bottom plan view thereof.
 The broken lines in the drawings depict portions of the faucet that form no part of the claimed design.

1 Claim, 8 Drawing Sheets

(56) **References Cited**
U.S. PATENT DOCUMENTS

D510,612 S *	10/2005	Lammel	D23/242
D520,116 S *	5/2006	Koury	D23/242
D566,815 S *	4/2008	Wang	D23/242
D570,450 S *	6/2008	Dolan	D23/241
D579,082 S *	10/2008	Yuan	D23/250
D608,859 S *	1/2010	Schoenherr	D23/242
D631,529 S *	1/2011	Ko	D23/242
D773,615 S *	12/2016	Potter	D23/242
D811,527 S	2/2018	Fritz	
D855,159 S *	7/2019	Eads	D23/242
D873,961 S	1/2020	Garland	



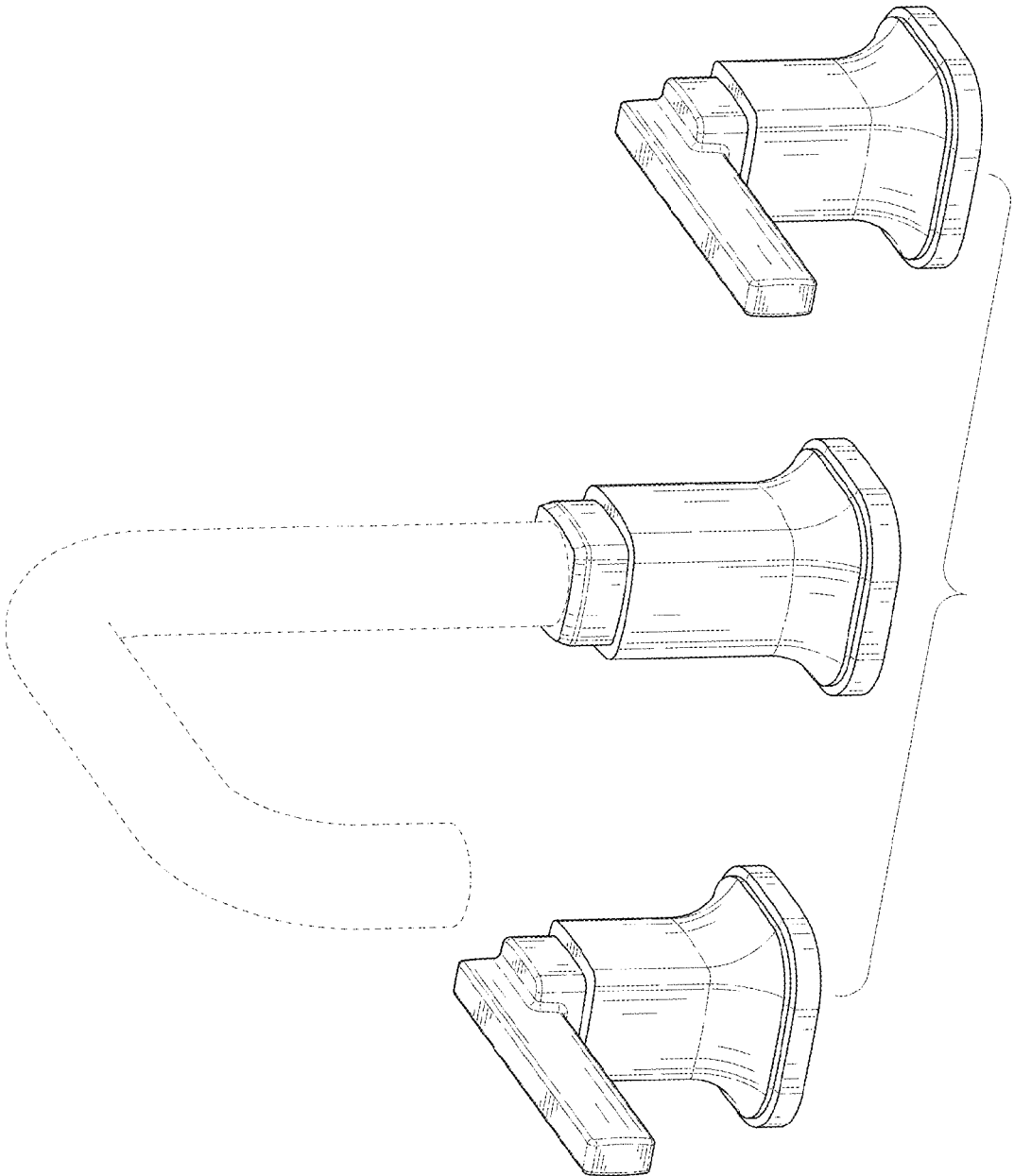


FIG. 1

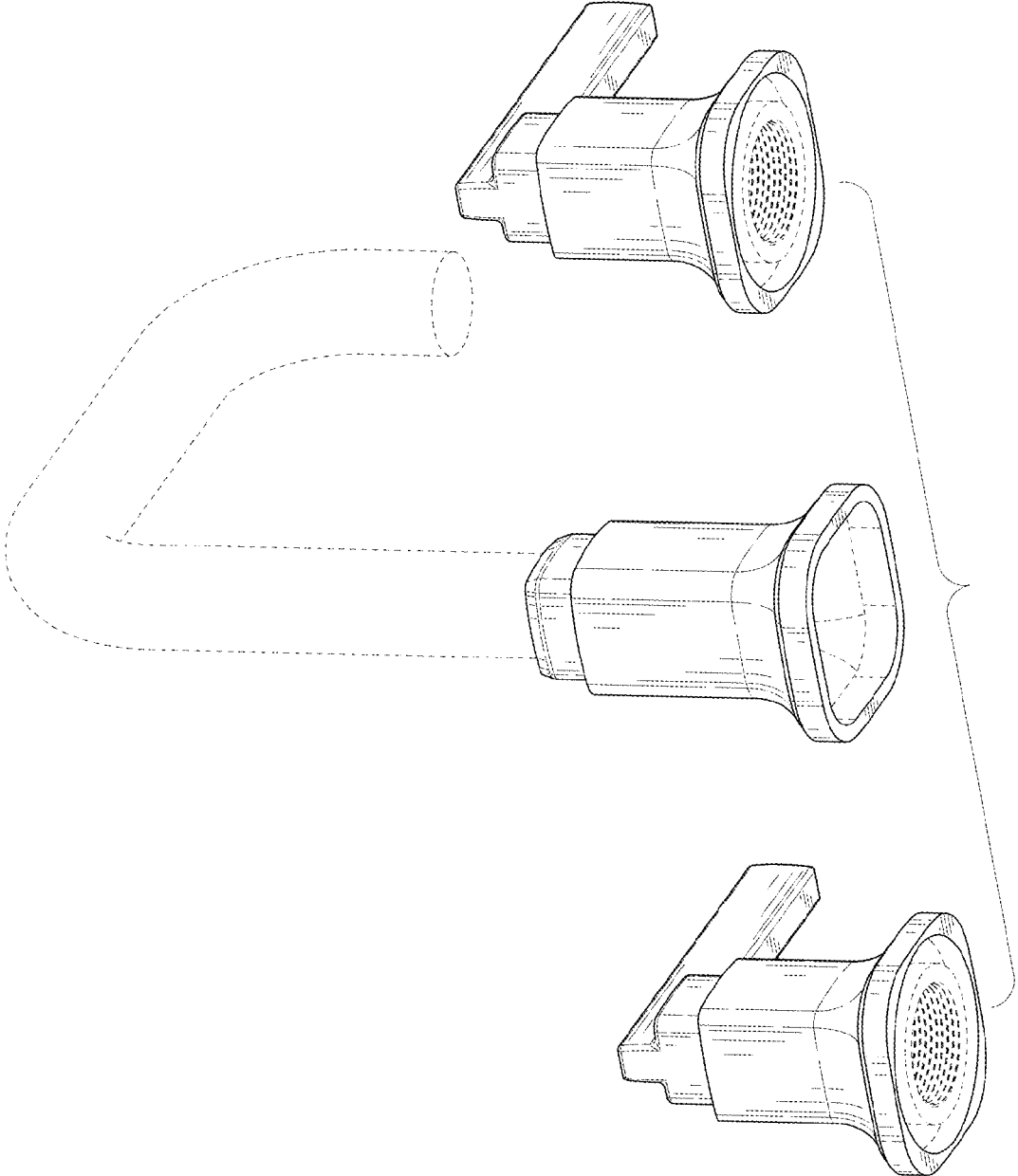


FIG. 2

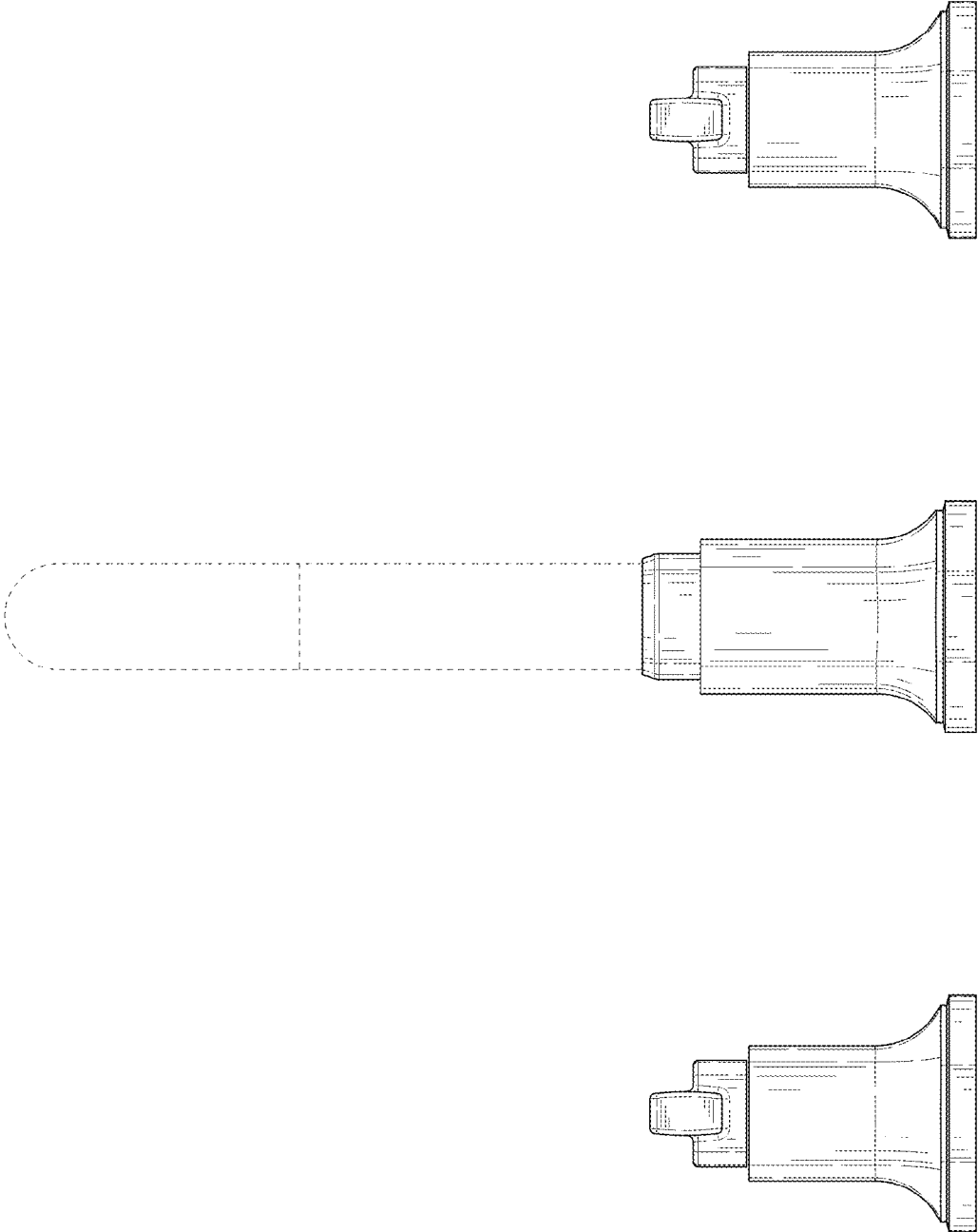


FIG. 3

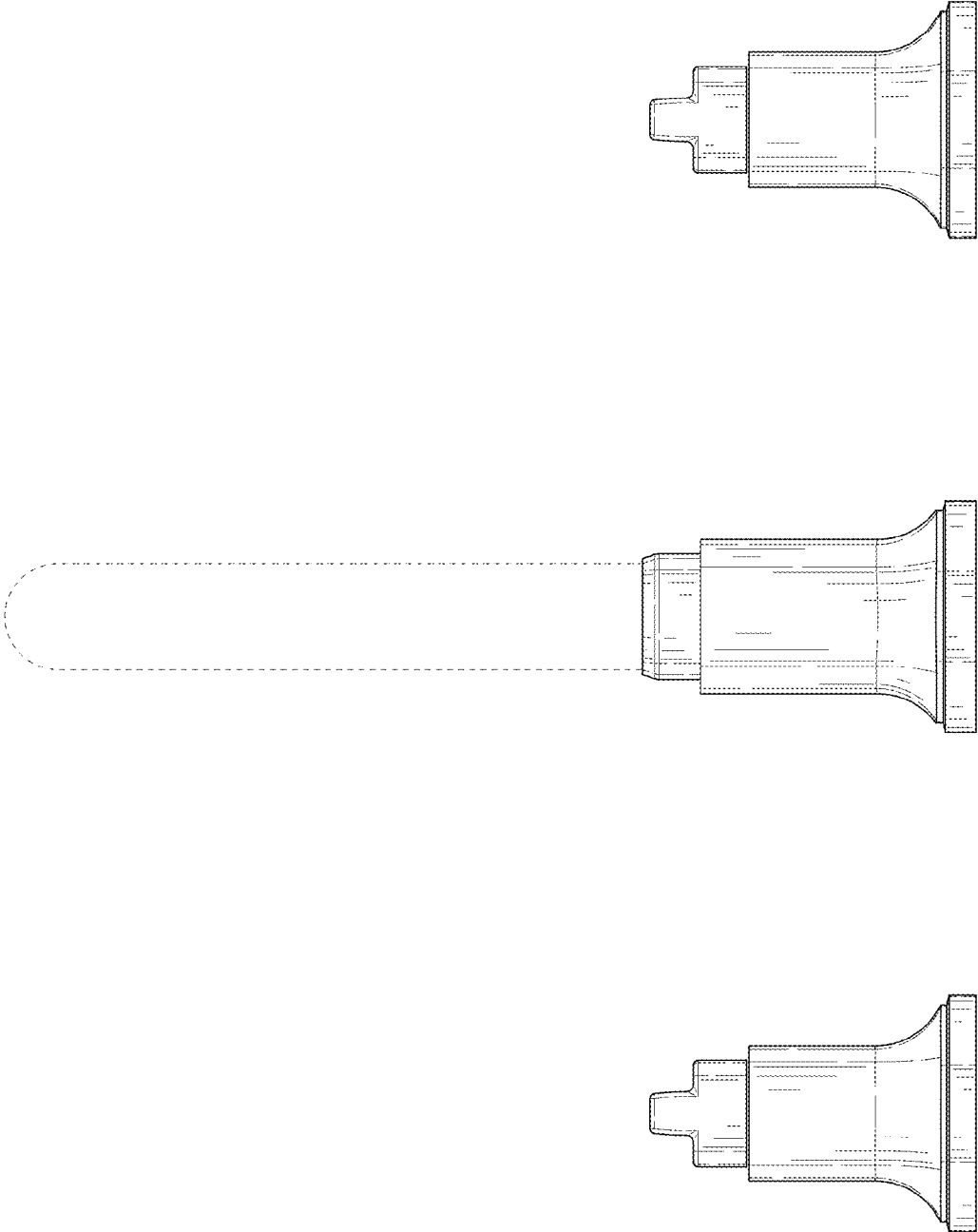


FIG. 4

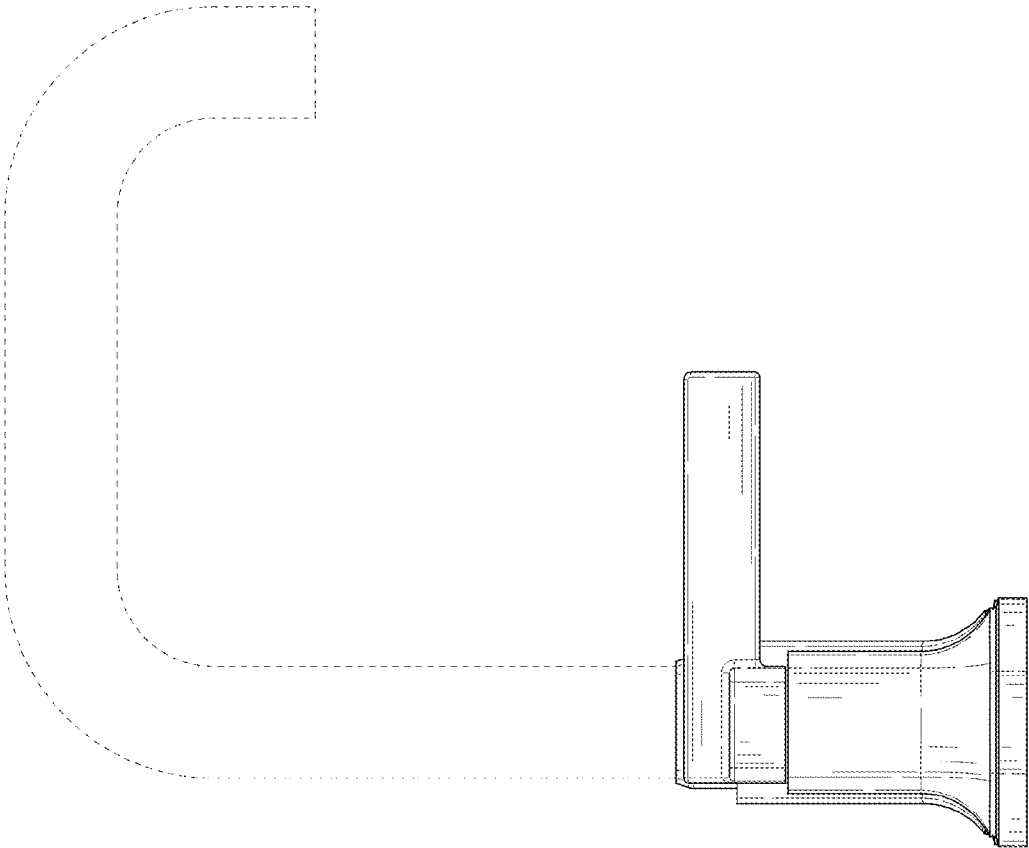


FIG. 5

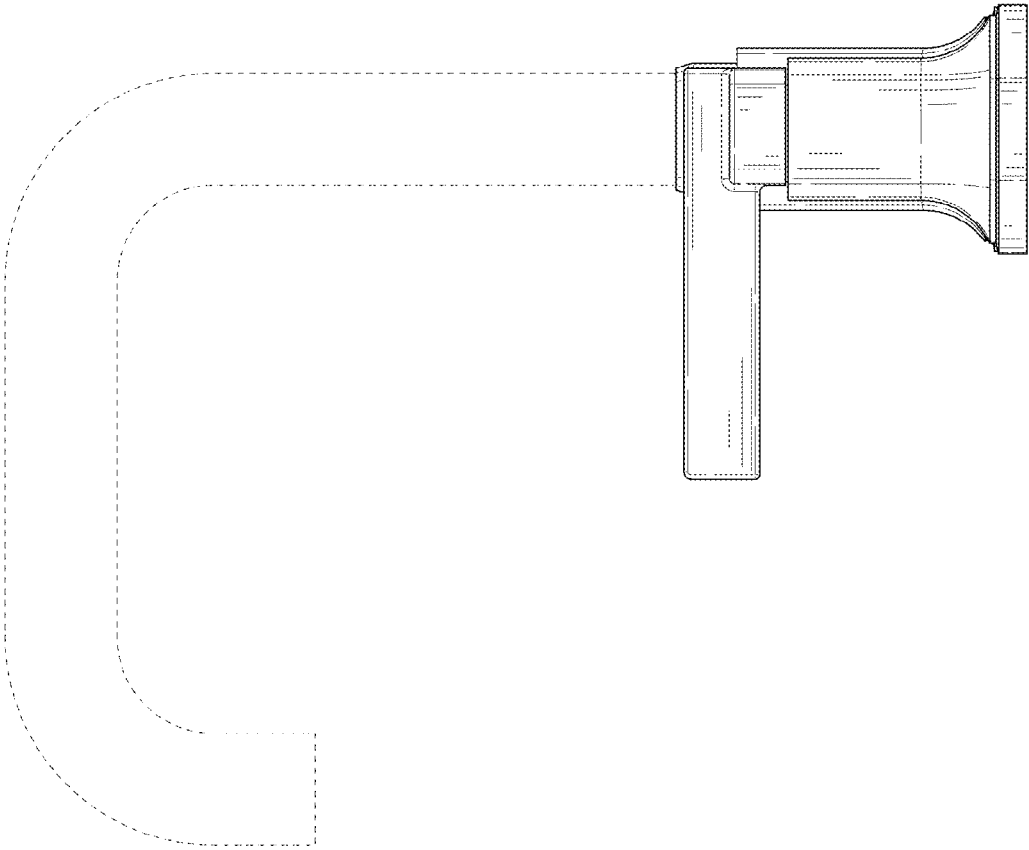


FIG. 6

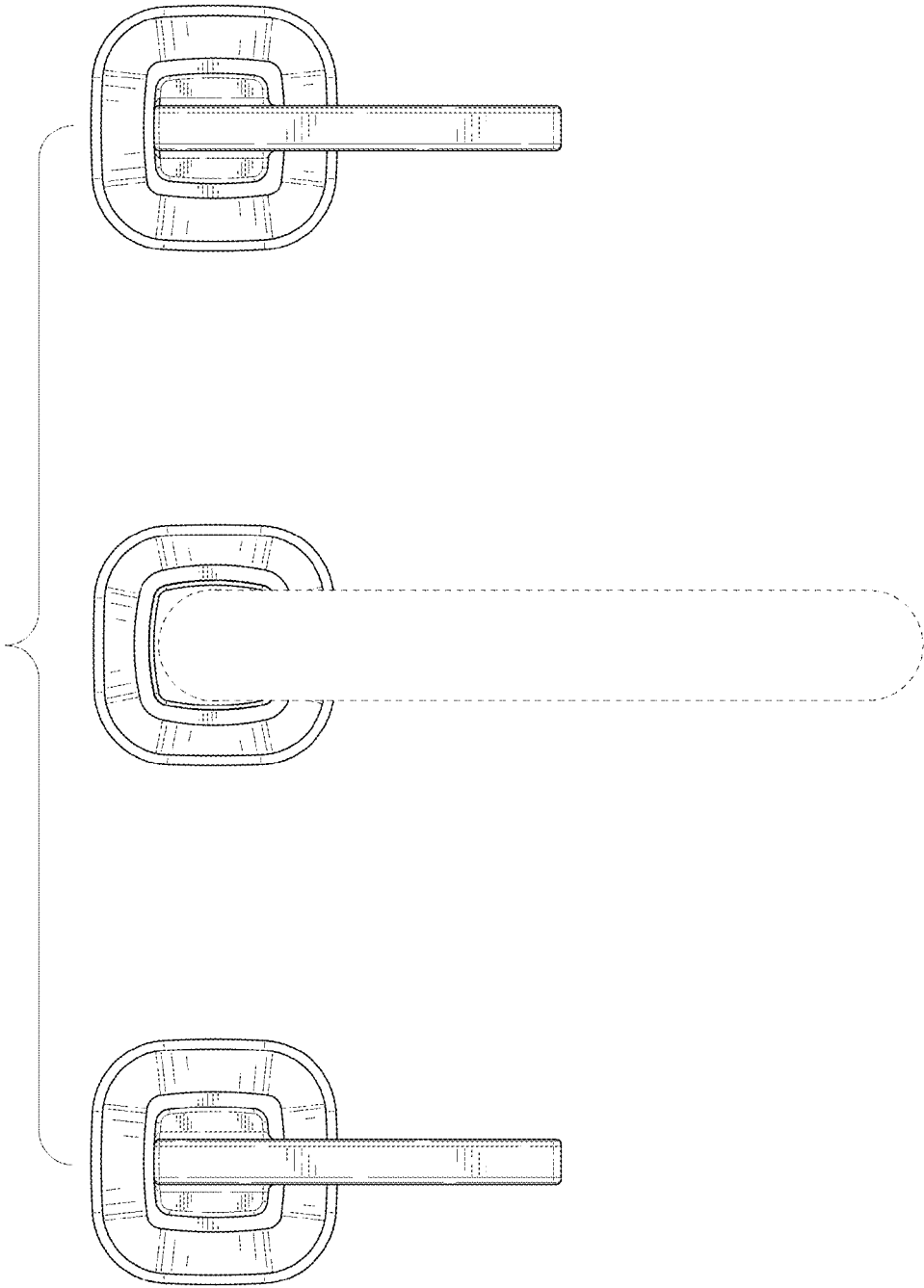


FIG. 7

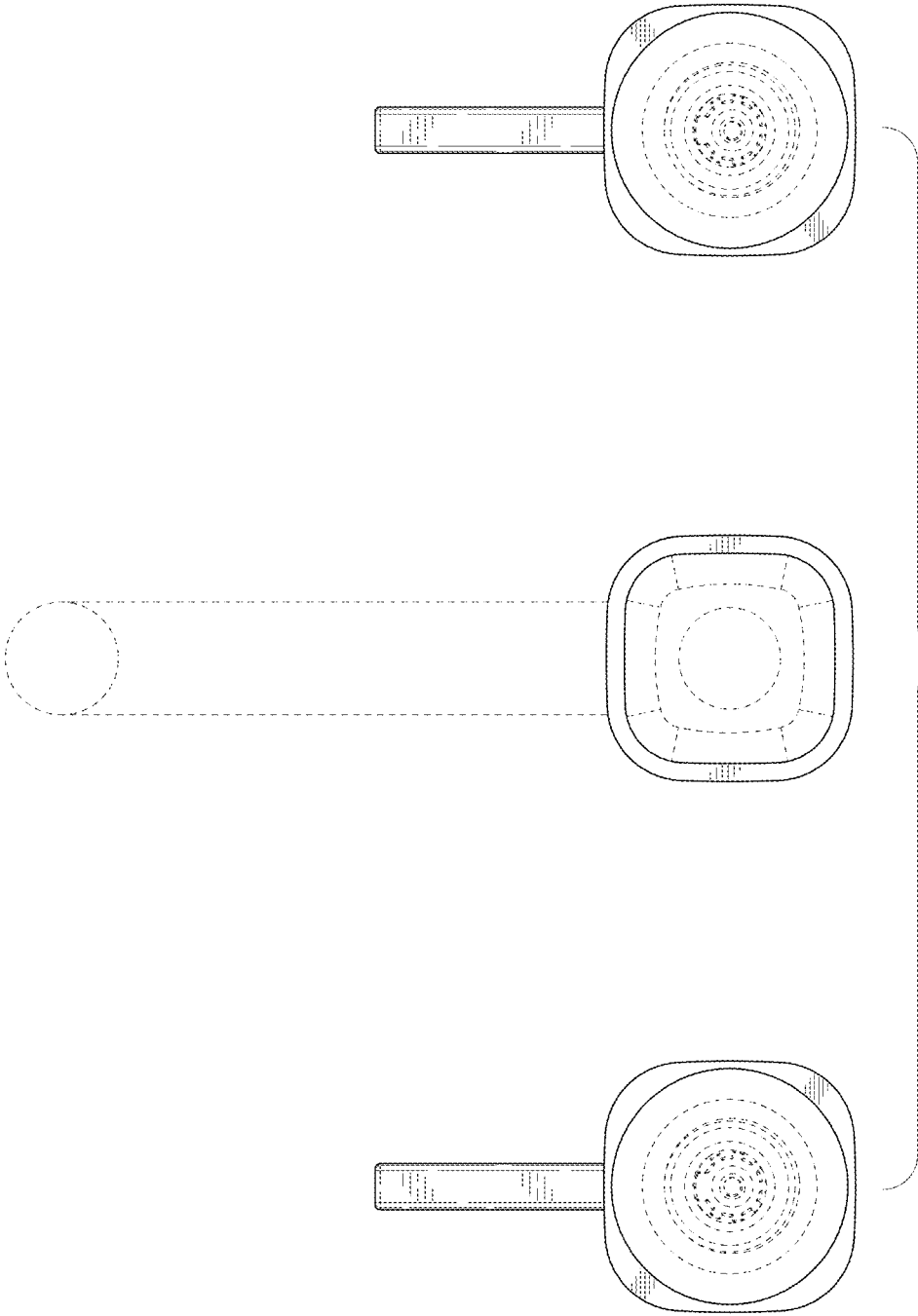


FIG. 8