



US00D928121S

(12) **United States Design Patent**  
**Lee**

(10) **Patent No.:** **US D928,121 S**  
(45) **Date of Patent:** **\*\* Aug. 17, 2021**

- (54) **MOUNT FOR ELECTRONIC DEVICE**
- (71) Applicant: **elago CO. LTD**, Goyang-si (KR)
- (72) Inventor: **Chanwoo Lee**, Goyang-si (KR)
- (73) Assignee: **elago CO. LTD**, Goyang-si (KR)
- (\*\*) Term: **15 Years**

D379,832 S 6/1997 Ashida  
 D419,199 S 1/2000 Cordell et al.  
 D419,200 S 1/2000 Ashida  
 D503,750 S 4/2005 Kit et al.  
 D566,393 S 4/2008 Kidakarn  
 D704,164 S \* 5/2014 Green ..... D14/217  
 D705,360 S 5/2014 Mar  
 D742,856 S \* 11/2015 Skjoldborg ..... D14/217  
 (Continued)

(21) Appl. No.: **29/763,103**

**FOREIGN PATENT DOCUMENTS**

(22) Filed: **Dec. 21, 2020**

CN 302311938 2/2013  
 CN 303679921 5/2016

(51) **LOC (13) Cl.** ..... **14-03**

(Continued)

(52) **U.S. Cl.**

*Primary Examiner* — Khawaja Anwar

USPC ..... **D14/217**

(74) *Attorney, Agent, or Firm* — Paratus Law Group, PLLC

(58) **Field of Classification Search**

USPC ..... D14/217, 204, 207, 209, 210, 211, 212,  
 D14/213, 214, 215, 216, 221, 222, 224  
 CPC ..... H04R 2201/003; H04R 2420/07;  
 H04R 3/12; H04R 27/00; H04R 9/08;  
 H04R 19/04; H04R 1/1016; H04R  
 1/2857; H04R 2410/03; H04R 2499/11;  
 H04R 31/00; H04R 17/00; H04R 19/005;  
 H04R 19/016; H04R 1/026; H04R 1/04;  
 H04R 1/08; H04R 1/1008; H04R 1/041;  
 H04R 1/1075; H04R 1/1083; H04R 1/24;  
 H04R 1/2834; H04R 1/2846; H04R  
 1/2892; H04R 1/323; H04R 1/406; H04R  
 2225/33; H04R 2225/41; H04R 2225/49;  
 H04R 2410/01; H04R 2430/01; H04R  
 2460/03; H04R 25/453; H04R 25/505;  
 H04R 25/554; H04R 25/606; H04R  
 29/001; H04R 29/004; H04R 29/005;  
 H04R 3/002; H04R 3/005; H04R 3/007;  
 H04R 5/04; H04R 7/06; H04R 7/12;  
 H04R 7/20

(57) **CLAIM**

The ornamental design for a mount for electronic device, as shown and described.

See application file for complete search history.

**DESCRIPTION**

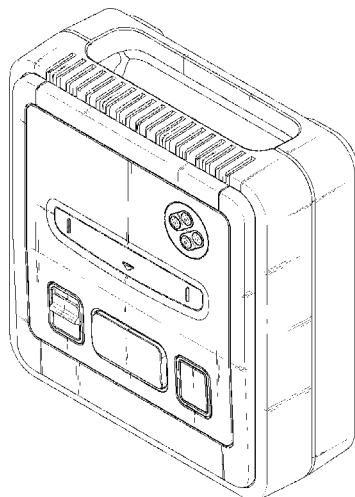
FIG. 1 is a front, top, and right-side perspective view of a mount for electronic device showing my new design;  
 FIG. 2 is a front view thereof;  
 FIG. 3 is a back view thereof;  
 FIG. 4 is a left-side view thereof;  
 FIG. 5 is a right-side view thereof;  
 FIG. 6 is a top view thereof;  
 FIG. 7 is a bottom view thereof;  
 FIG. 8 is a back, top, and right-side perspective view thereof; and,  
 FIG. 9 is a back, bottom, and right-side perspective view thereof.  
 The broken lines shown in FIGS. 3, 8, and 9 depict parts of the mount for electronic device, which form no part of the claimed design.

(56) **References Cited**

**U.S. PATENT DOCUMENTS**

D362,692 S 9/1995 Rissman et al.  
 D362,870 S 10/1995 Oikawa

**1 Claim, 7 Drawing Sheets**



(56)

**References Cited**

U.S. PATENT DOCUMENTS

D747,356	S	1/2016	Jou et al.	
D750,598	S *	3/2016	Alexander .....	D14/217
D762,734	S	8/2016	Kwong	
D774,651	S	12/2016	Kaib et al.	
D813,909	S	3/2018	Lacy-Nichols	
D822,834	S	7/2018	Harper, IV et al.	
D831,003	S *	10/2018	Suzuki .....	D14/217
D874,437	S *	2/2020	Iwahori .....	D14/217
D890,134	S *	7/2020	Zong .....	D14/217
D895,287	S *	9/2020	Hyun .....	D3/302
D895,288	S *	9/2020	Hyun .....	D3/302
D903,685	S	12/2020	Wright et al.	
D904,765	S *	12/2020	Hyun .....	D3/302
D922,354	S *	6/2021	Gill .....	D14/217
2008/0298026	A1 *	12/2008	Wang .....	G06F 1/163 361/728
2015/0039039	A1 *	2/2015	Macho .....	H01L 23/5387 607/5
2016/0166321	A1 *	6/2016	Amsler .....	B23P 19/04 607/5

FOREIGN PATENT DOCUMENTS

CN	305111805	4/2019
CN	305455776	11/2019
CN	305571783	1/2020

\* cited by examiner

FIG. 1

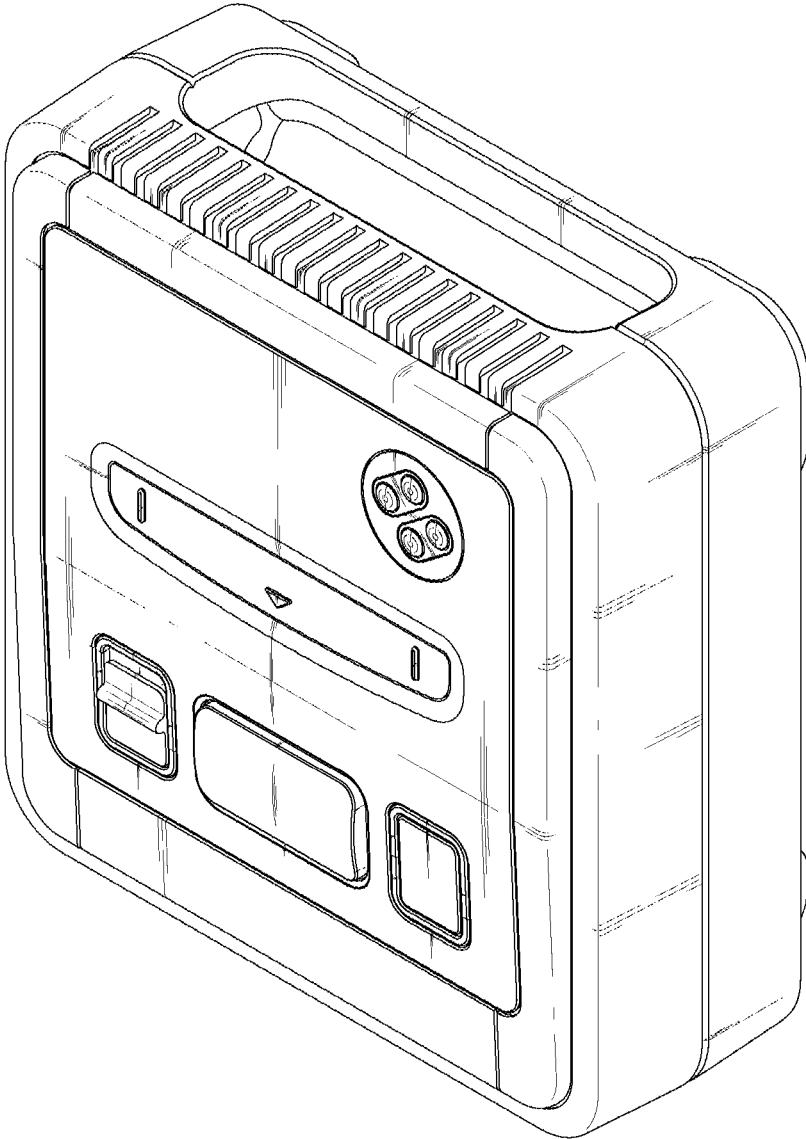


FIG. 2

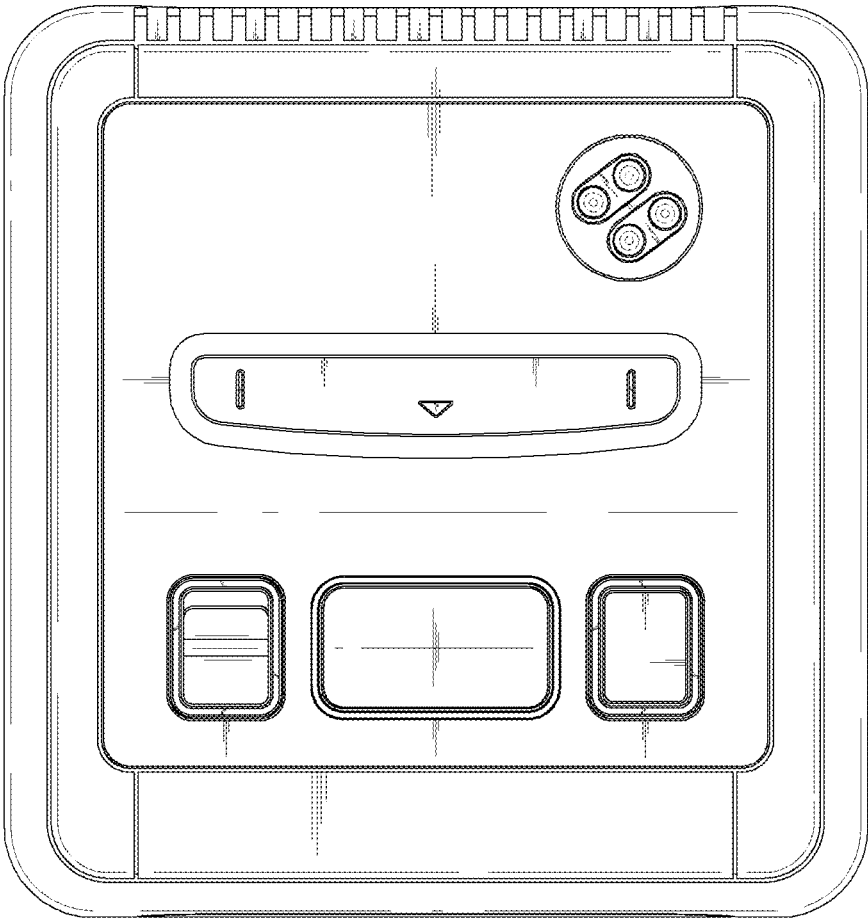


FIG. 3

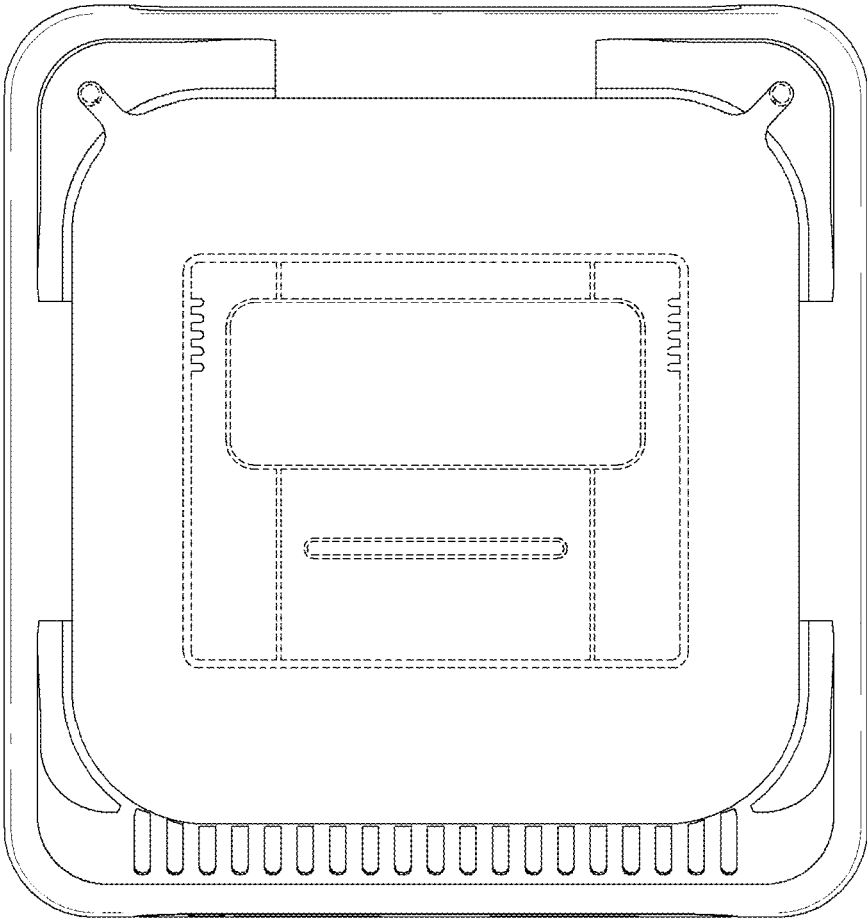


FIG. 4

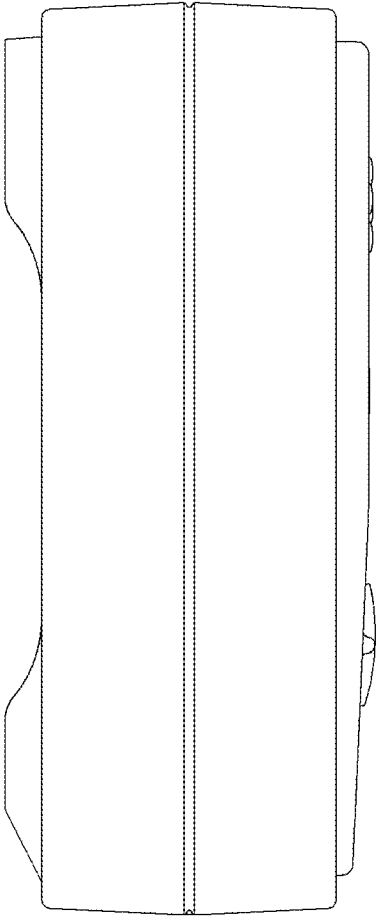


FIG. 5



FIG. 6

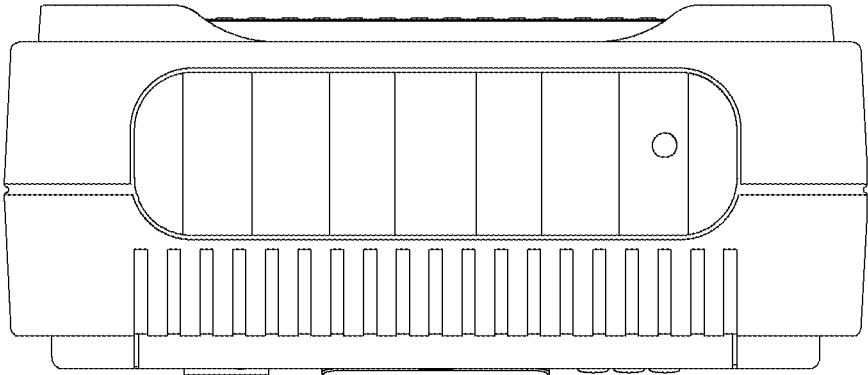


FIG. 7

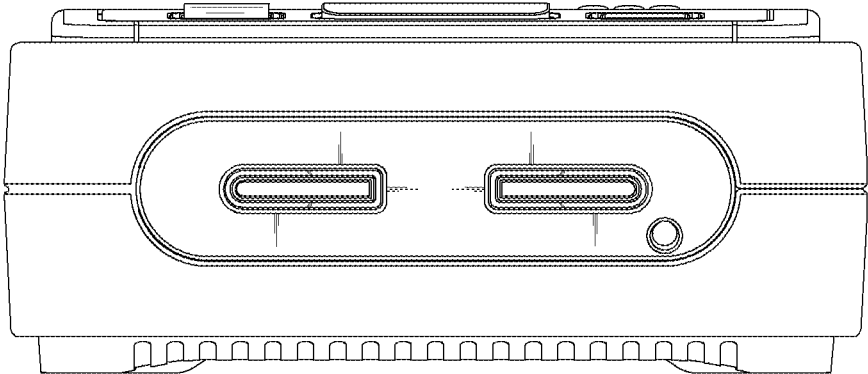


FIG. 8

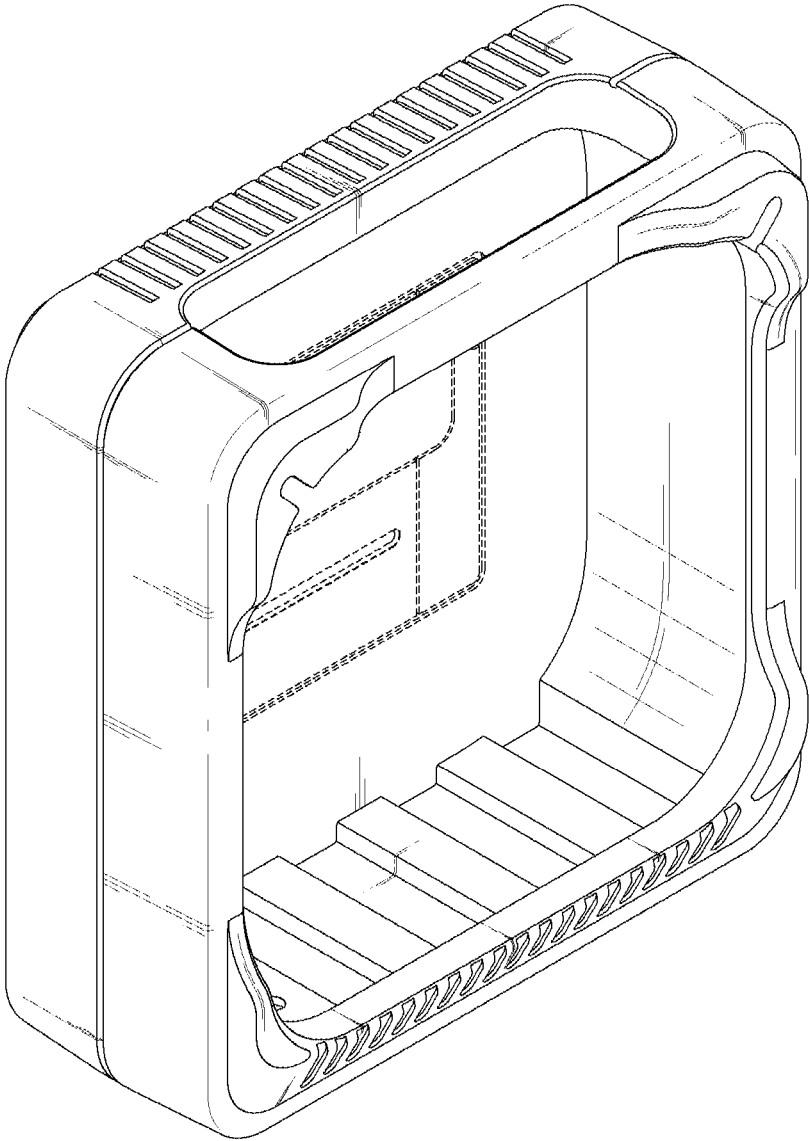




FIG. 9

