



US00D442272S

(12) **United States Design Patent**
Gabriele

(10) **Patent No.:** **US D442,272 S**

(45) **Date of Patent:** **** May 15, 2001**

(54) **SHUTTER LOUVER**

(75) Inventor: **Angelo Gabriele**, Woodbridge (CA)

(73) Assignee: **Vinylbilt Shutter Systems INC**,
Concord (CA)

(**) Term: **14 Years**

(21) Appl. No.: **29/122,725**

(22) Filed: **May 3, 2000**

(51) **LOC (7) Cl.** **23-04**

(52) **U.S. Cl.** **D23/387**

(58) **Field of Search** D23/387, 388;
D6/577, 580; D25/122; 52/473, 656.7;
160/107, 184, 187, 206, 208, 236; 49/74.1,
403

(56) **References Cited**

U.S. PATENT DOCUMENTS

D. 334,977 * 4/1993 Avari D23/387

D. 366,586 * 1/1996 Underdahl D6/580
D. 366,587 * 1/1996 Underdahl D6/580
D. 410,552 * 6/1999 Gabriele D25/122
2,068,977 * 1/1937 Dodge 160/236
5,303,507 * 4/1994 Gille 47/74.1

* cited by examiner

Primary Examiner—Mitchell Siegel

(57) **CLAIM**

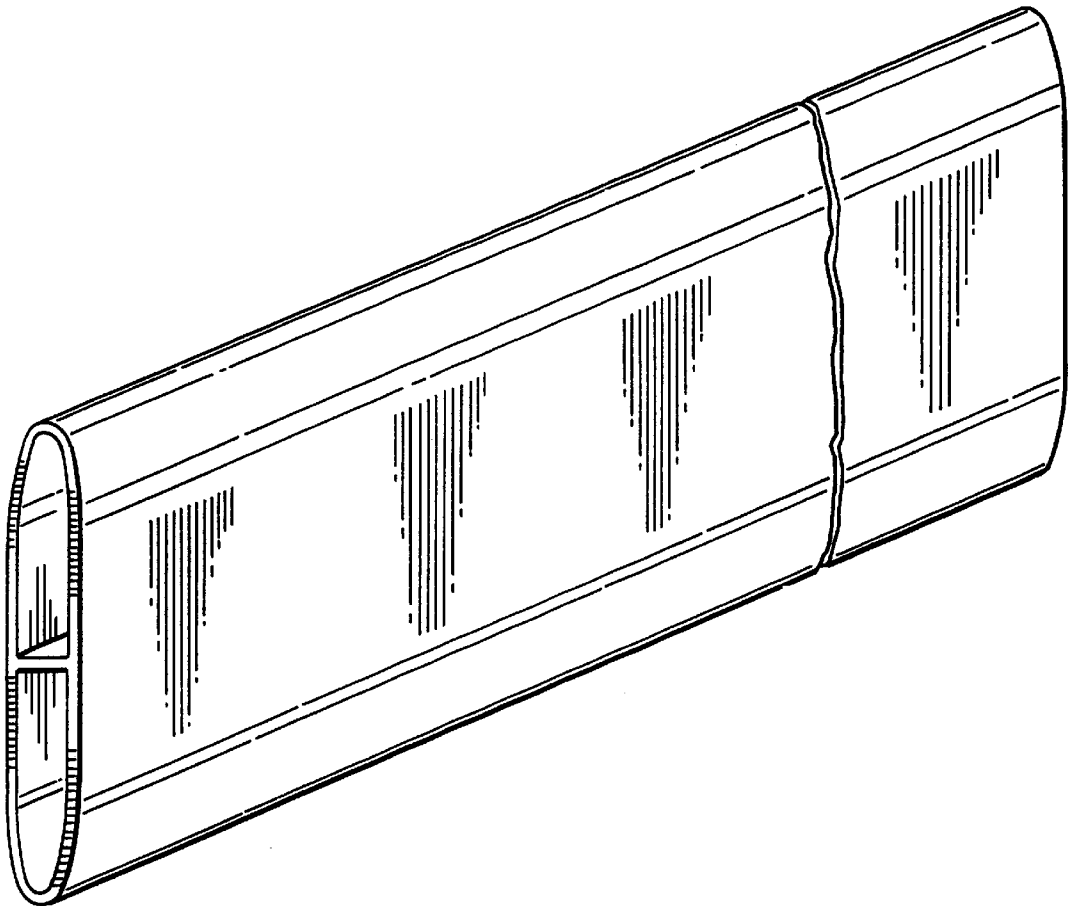
The ornamental design for a shutter louver, as shown and described.

DESCRIPTION

FIG. 1 is a perspective view of the shutter louver; and, FIG. 2 is an end view of the shutter louver.

The shutter louver of FIG. 1 is broken away to indicate indefinite length.

1 Claim, 1 Drawing Sheet



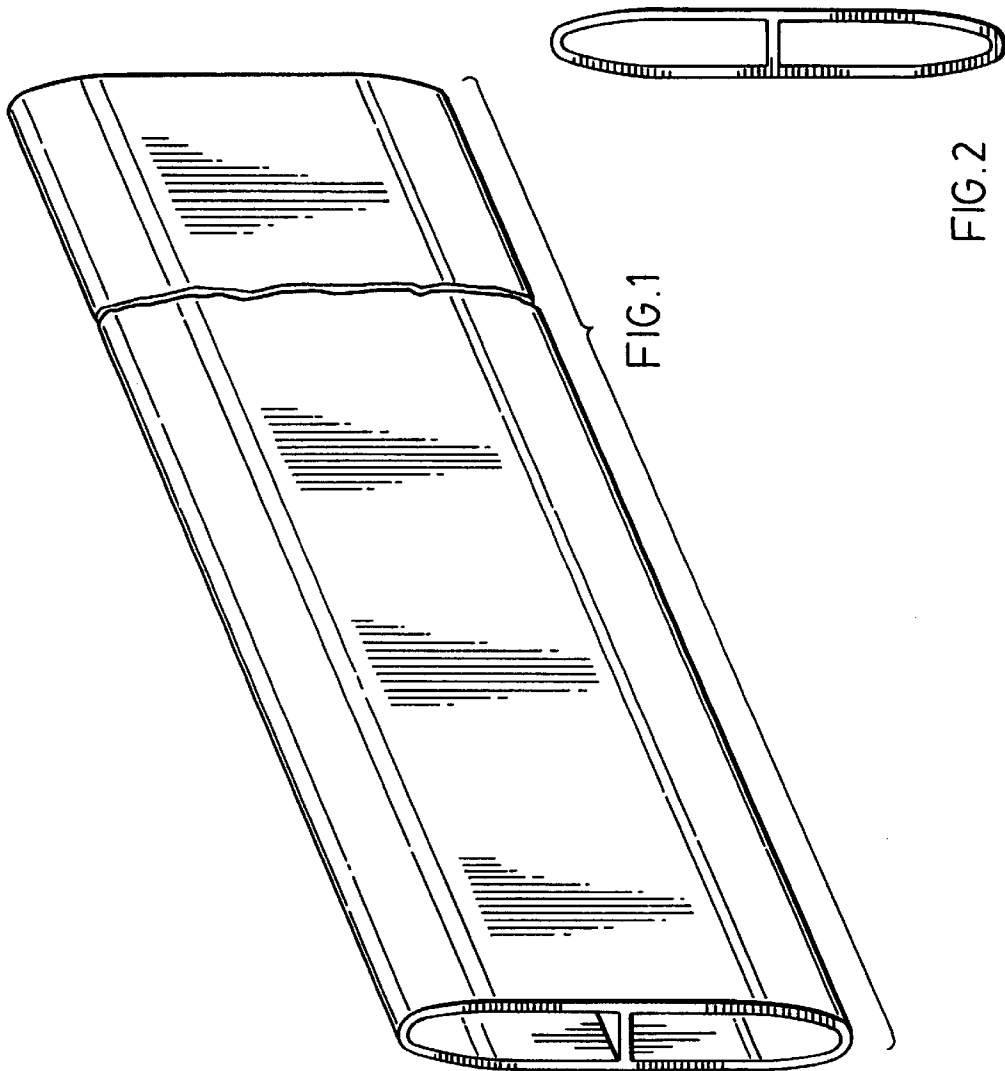


FIG.1

FIG.2