



US0D1025117S

(12) **United States Design Patent**
Zimmerman et al.

(10) **Patent No.:** **US D1,025,117 S**
(45) **Date of Patent:** **** Apr. 30, 2024**

(54) **DISPLAY SCREEN OR PORTION THEREOF WITH TRANSITIONAL GRAPHICAL USER INTERFACE**

(71) Applicant: **Life Technologies Corporation**,
Carlsbad, CA (US)

(72) Inventors: **Sean Zimmerman**, Encinitas, CA (US);
Scott Rickes, San Diego, CA (US)

(73) Assignee: **Life Technologies Corporation**,
Carlsbad, CA (US)

(**) Term: **15 Years**

(21) Appl. No.: **29/828,943**

(22) Filed: **Mar. 1, 2022**

Related U.S. Application Data

(63) Continuation-in-part of application No. 29/713,067, filed on Nov. 13, 2019, now Pat. No. Des. 946,613, which is a continuation of application No. 29/625,944, filed on Nov. 14, 2017, now Pat. No. Des. 881,214.

(51) **LOC (14) Cl.** **14-04**

(52) **U.S. Cl.**
USPC **D14/486**

(58) **Field of Classification Search**
USPC D14/485-495
CPC A61B 5/02; A61B 8/46; G06T 2207/30004
See application file for complete search history.

(56) **References Cited**

U.S. PATENT DOCUMENTS

D549,722 S 8/2007 Ito et al.
D576,173 S 9/2008 Oshiro et al.
D593,116 S 5/2009 Garcia et al.
D614,192 S 4/2010 Takano et al.
D615,549 S 5/2010 Caine et al.

D661,701 S 6/2012 Brown et al.
D667,020 S 9/2012 MacKenzie et al.
D670,723 S 11/2012 Khan et al.
D695,301 S 12/2013 Robinson et al.
D716,325 S 10/2014 Brudnicki
D717,822 S * 11/2014 Brotman D14/486
D735,741 S 8/2015 Kim

(Continued)

OTHER PUBLICATIONS

Thermo Fisher, Invitrogen E-gel Power Snap, Mar. 30, 2018, youtube.com, retrieved Nov. 28, 2023, https://www.youtube.com/watch?v=J4ba0mak5wQ (Year: 2018).*

(Continued)

Primary Examiner — Katherine A Holbrow

(57) **CLAIM**

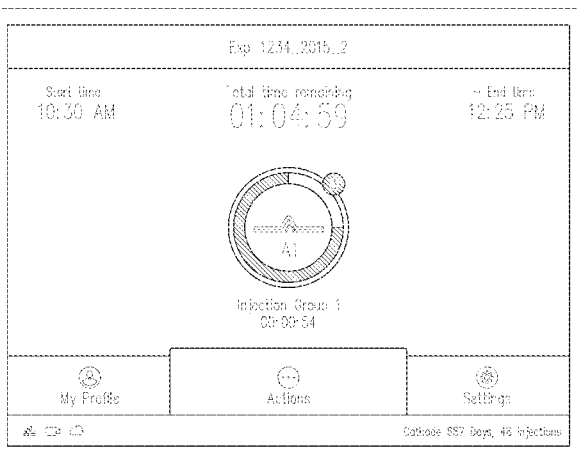
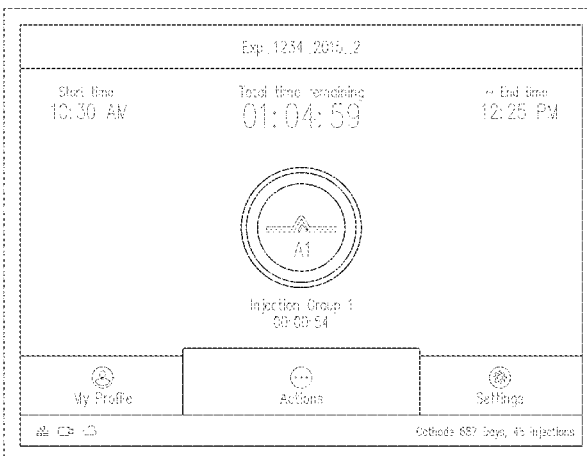
The ornamental design for a display screen or portion thereof with transitional graphical user interface, as shown and described.

DESCRIPTION

FIG. 1 is a front view of the first image in a sequence of a display screen or portion thereof with transitional graphical user interface, showing our new design; FIG. 2 is a second image thereof; FIG. 3 is a third image thereof; and, FIG. 4 is a fourth image thereof.

The appearance of the transitional image sequentially transitions between the images shown in FIGS. 1 through 4. The process or period in which one image transitions to another image forms no part of the claimed design. The outer perimeter shown in dashed broken lines in the figures illustrates a display screen or portion thereof and forms no part of the claimed design. The remaining dashed broken lines in the figures illustrate portions of the graphical user interface that form no part of the claimed design.

1 Claim, 4 Drawing Sheets



(56)

References Cited

U.S. PATENT DOCUMENTS

D743,990	S	11/2015	Pal et al.				
D748,101	S *	1/2016	Bang	G06F 3/04817			
					D14/485		
D752,072	S *	3/2016	Song		D14/486		
D752,618	S *	3/2016	Lee		D14/486		
D753,685	S *	4/2016	Zimmerman		D14/486		
D760,737	S	7/2016	Yoon et al.				
D761,801	S *	7/2016	Rickes	G06F 3/04817			
					D14/485		
D769,314	S	10/2016	Piroddi et al.				
D771,660	S *	11/2016	Zimmerman		D14/486		
D775,144	S	12/2016	Vazquez				
D775,642	S *	1/2017	Gao		D14/486		
D778,284	S	2/2017	Dahlen				
9,578,193	B2	2/2017	Shigenobu et al.				
D785,025	S *	4/2017	Zimmerman		D14/486		
D803,240	S	11/2017	Cornell				
D804,528	S	12/2017	Martin et al.				
D818,491	S	5/2018	Timmer et al.				
D822,052	S	7/2018	Rickes et al.				
D829,235	S *	9/2018	Gangcuangco		D14/486		
10,291,791	B2	5/2019	Jimbo				
10,409,458	B2	9/2019	Yabe				
D871,421	S	12/2019	Kim et al.				
D881,214	S *	4/2020	Zimmerman		D14/488		
D888,097	S *	6/2020	Butcher		D14/491		
D901,518	S *	11/2020	Gangcuangco		D14/485		
D901,519	S *	11/2020	Gangcuangco		D14/485		
D901,520	S *	11/2020	Gangcuangco		D14/485		
D909,403	S *	2/2021	Ueta		D14/485		
D909,407	S *	2/2021	Lepine		D14/486		
D916,850	S *	4/2021	Wong		D14/488		
D925,595	S *	7/2021	Smith		D14/488		
D946,613	S *	3/2022	Zimmerman		D14/487		
D951,276	S *	5/2022	Schrock		D14/485		
D957,438	S *	7/2022	Hayter		D14/486		
D964,380	S *	9/2022	Mitsumori		D14/485		
D965,628	S *	10/2022	Choi		D14/486		
D968,443	S *	11/2022	Lepine		D14/486		
D985,007	S *	5/2023	Borukhoff		D14/485		
D985,012	S *	5/2023	Borukhoff		D14/486		
D985,017	S *	5/2023	Borukhoff		D14/488		
D986,915	S *	5/2023	Stroier		D14/485		
2015/0205509	A1 *	7/2015	Scriven	G06Q 10/109			
					715/834		
2019/0366286	A1 *	12/2019	Mead		C12M 23/26		
2020/0075130	A1 *	3/2020	Shankar		G06T 1/0014		

OTHER PUBLICATIONS

Thermo Fisher, E-gel Power Snap Plus, Feb. 27, 2023, youtube.com, retrieved Nov. 28, 2023, <https://www.youtube.com/watch?v=IpdLPsGxaw8> (Year: 2023).*

* cited by examiner

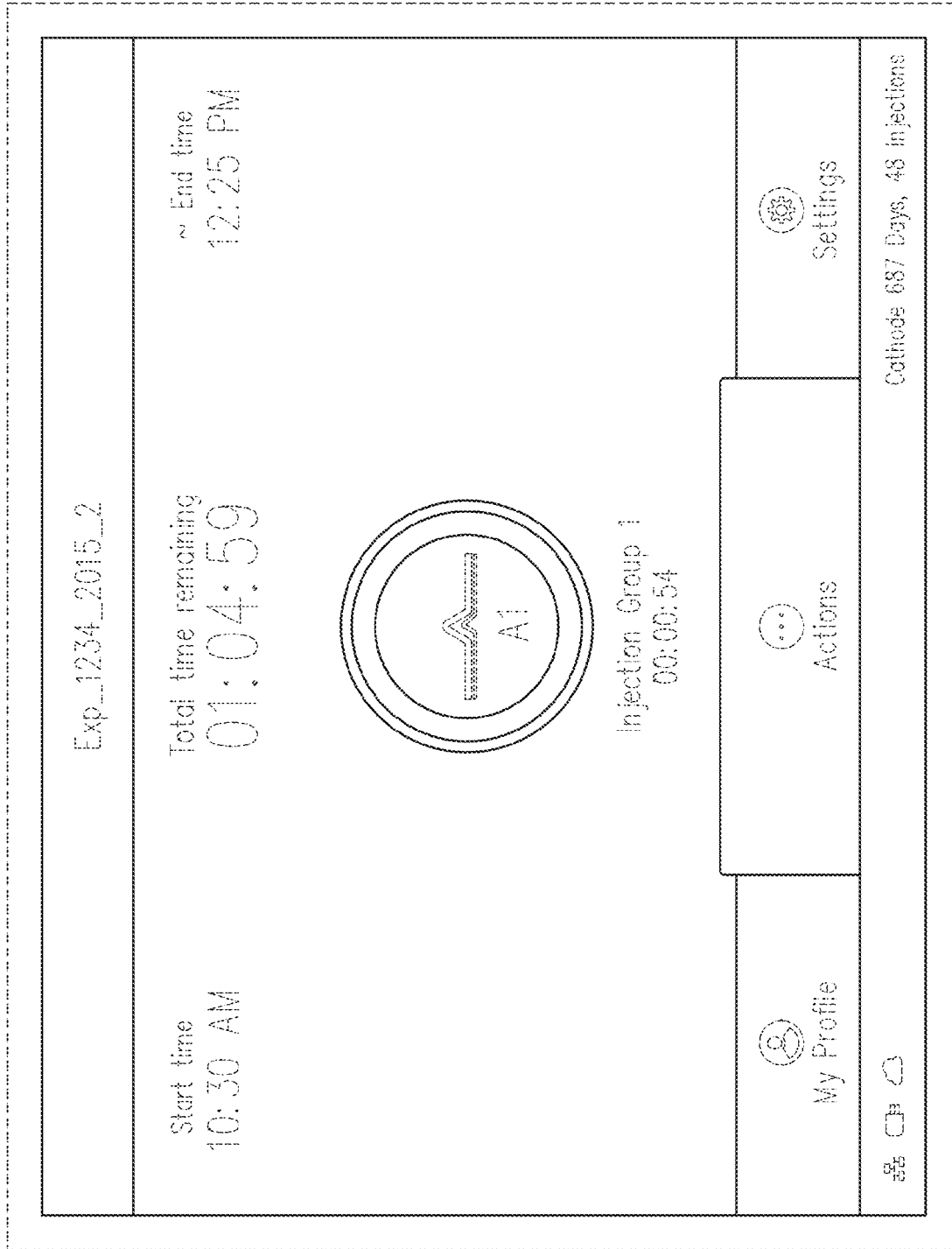


FIG. 1

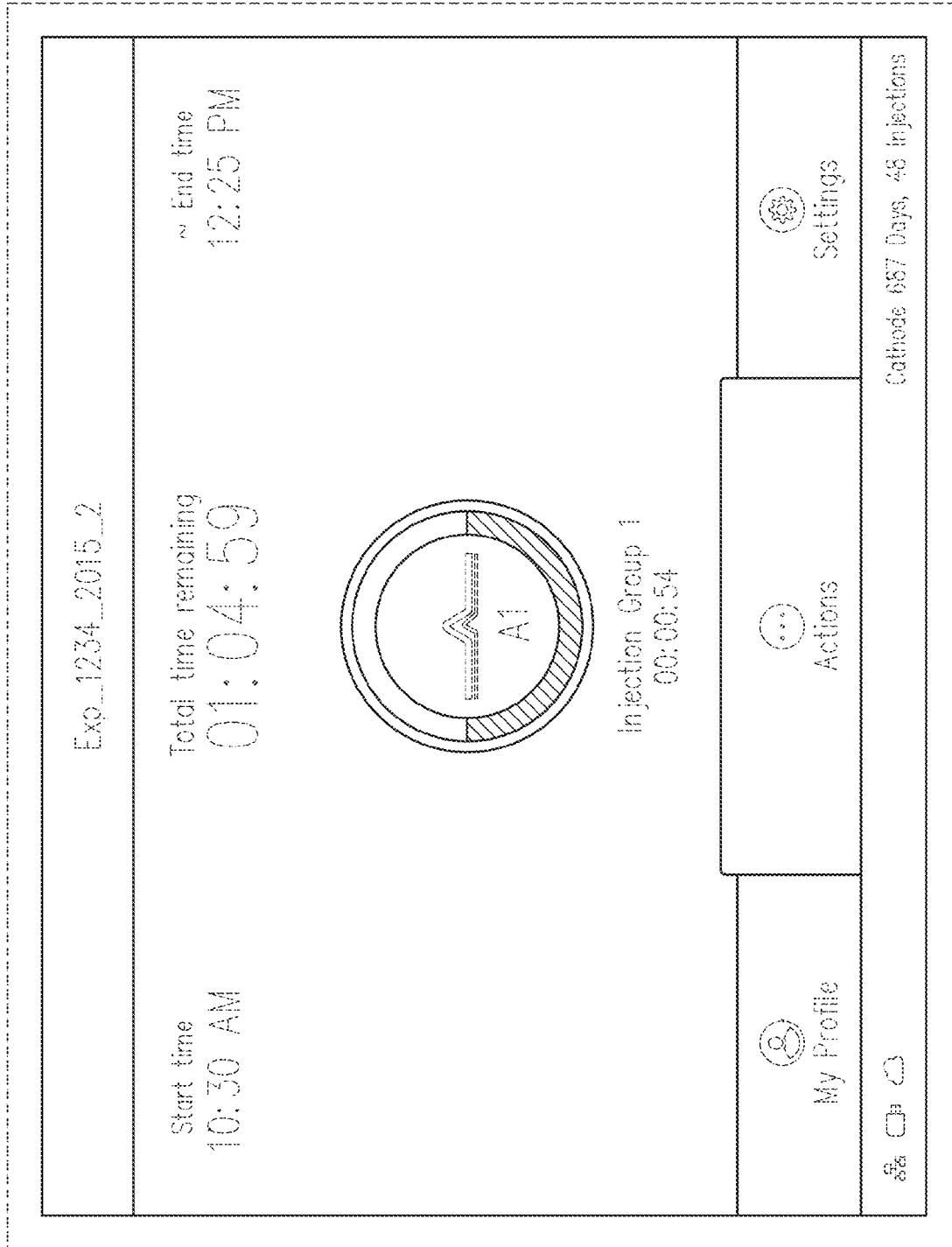


FIG. 2

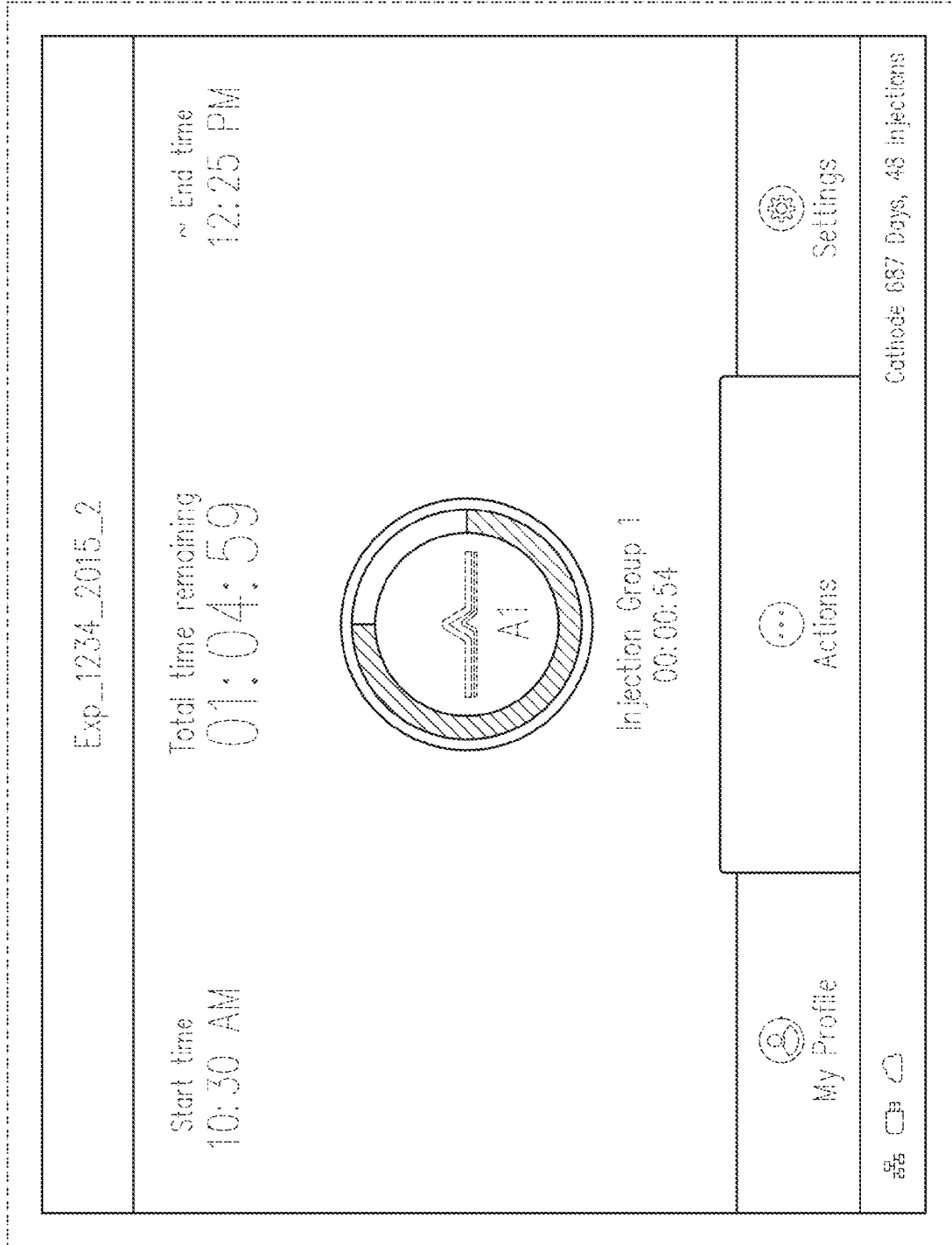


FIG. 3

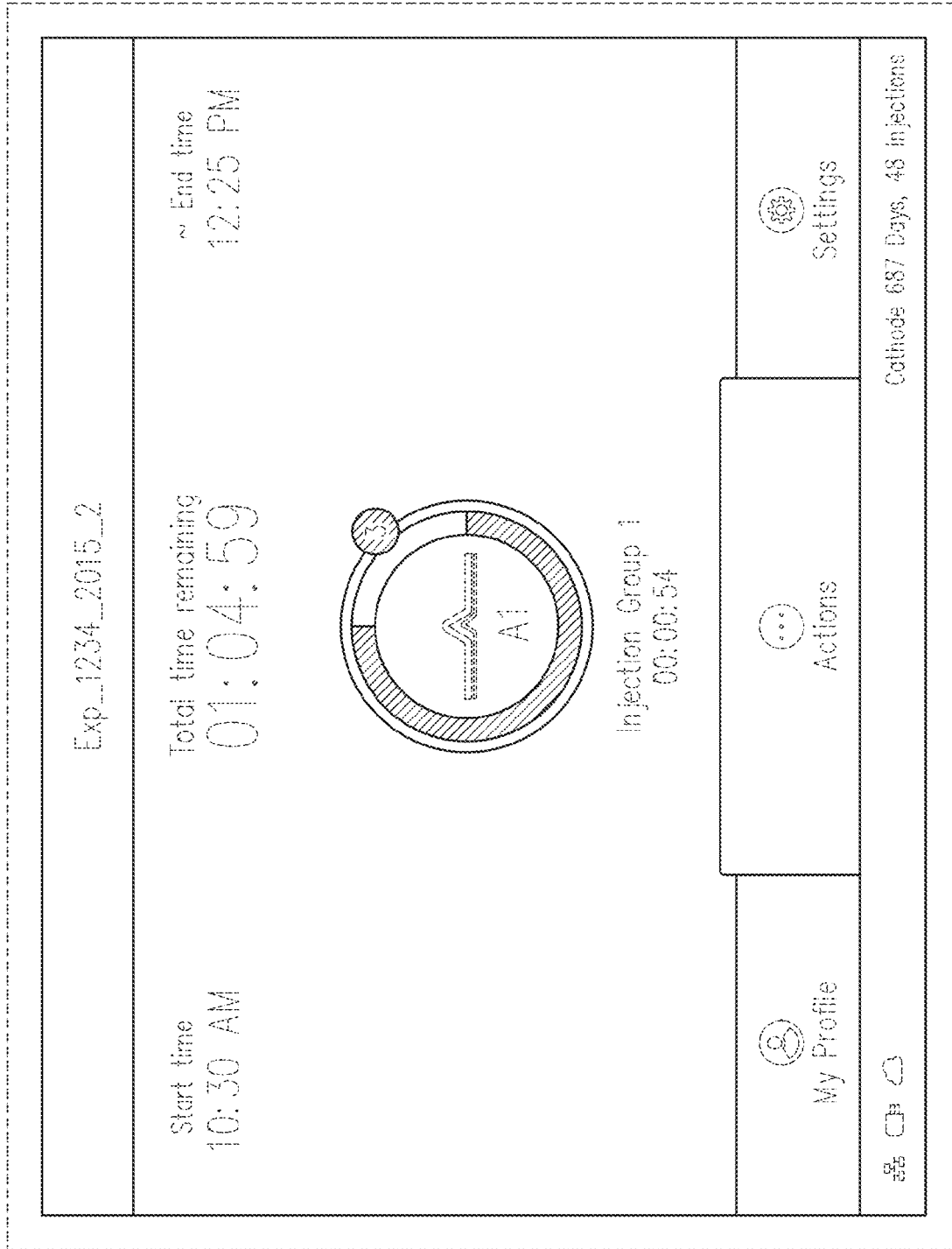


FIG. 4