



US00D772455S

(12) **United States Design Patent**
Chen

(10) **Patent No.:** **US D772,455 S**

(45) **Date of Patent:** **** Nov. 22, 2016**

(54) **COMBINED FLASHLIGHT AND POWER BANK**

(71) Applicant: **Ningbo CStar Import & Export Co., Ltd.**, Ningbo, Zhejiang (CN)

(72) Inventor: **Pengcheng Chen**, Ningbo (CN)

(73) Assignee: **Ningbo CStar Import & Export Co., Ltd.** (CN)

(**) Term: **14 Years**

(21) Appl. No.: **29/526,039**

(22) Filed: **May 5, 2015**

(51) **LOC (10) Cl.** **26-02**

(52) **U.S. Cl.**

USPC **D26/49**; D26/38

(58) **Field of Classification Search**

USPC D26/37, 38, 46, 49, 51; 362/157, 158, 362/183, 184, 194-196, 202-208, 253; D13/103, 108

CPC F21L 2003/00; F21L 4/00; F21L 4/005; F21L 4/02; F21L 4/025; F21L 4/027; F21L 4/04; F21L 4/08; F21L 2005/00; F21L 7/00; F21L 11/00; F21L 13/00; F21L 13/04; F21L 13/08; F21L 14/02; F21L 17/00; F21L 19/00; F21L 25/00

See application file for complete search history.

(56) **References Cited**

U.S. PATENT DOCUMENTS

D417,022 S * 11/1999 Chiu D26/49
D465,045 S * 10/2002 Yamamoto D26/49
D489,469 S * 5/2004 Liou D26/37

D577,449 S * 9/2008 Shiu D26/49
D578,687 S * 10/2008 Hong D26/37
D598,374 S * 8/2009 Sasada D13/108
D637,748 S * 5/2011 Caniparoli D26/49
D643,561 S * 8/2011 Maglica D26/49
D645,181 S * 9/2011 Garcia D26/49
D667,976 S * 9/2012 Wu D26/49
D693,042 S * 11/2013 Wu D26/49
D694,922 S * 12/2013 Dai D26/49
D703,134 S * 4/2014 Wong D13/108
D717,480 S * 11/2014 Hsu D26/49
D730,282 S * 5/2015 Miller D13/103
D739,973 S * 9/2015 Chao D13/108
D749,044 S * 2/2016 Huang D13/108

* cited by examiner

Primary Examiner — Ian Simmons

Assistant Examiner — Carissa C Fitts

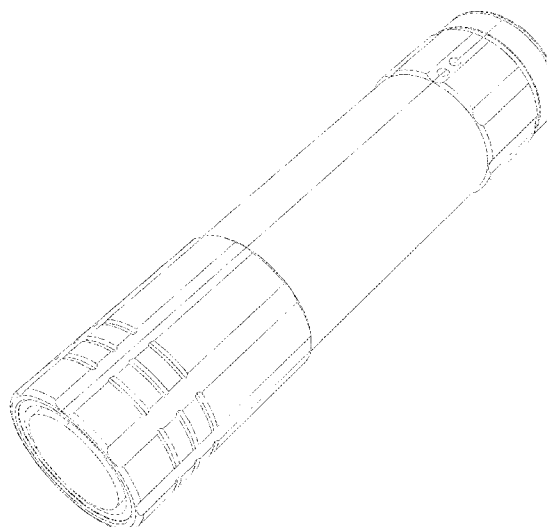
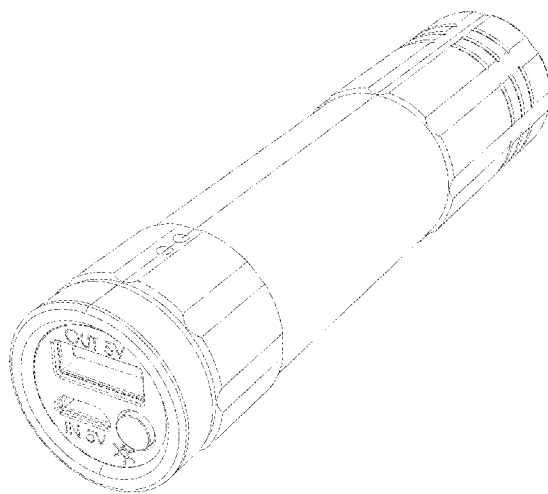
(57) **CLAIM**

The ornamental design for a combined flashlight and power bank, as shown and described.

DESCRIPTION

FIG. 1 is a perspective view of the combined flashlight and power bank showing my new design; FIG. 2 is a second perspective view of the combined flashlight and power bank; FIG. 3 is a front view thereof; FIG. 4 is a back view thereof; FIG. 5 is a left view thereof; FIG. 6 is a right view thereof; FIG. 7 is a top view thereof; and, FIG. 8 is a bottom view thereof. The broken line showing represents unclaimed portions of the article and forms no part of the claimed design.

1 Claim, 8 Drawing Sheets



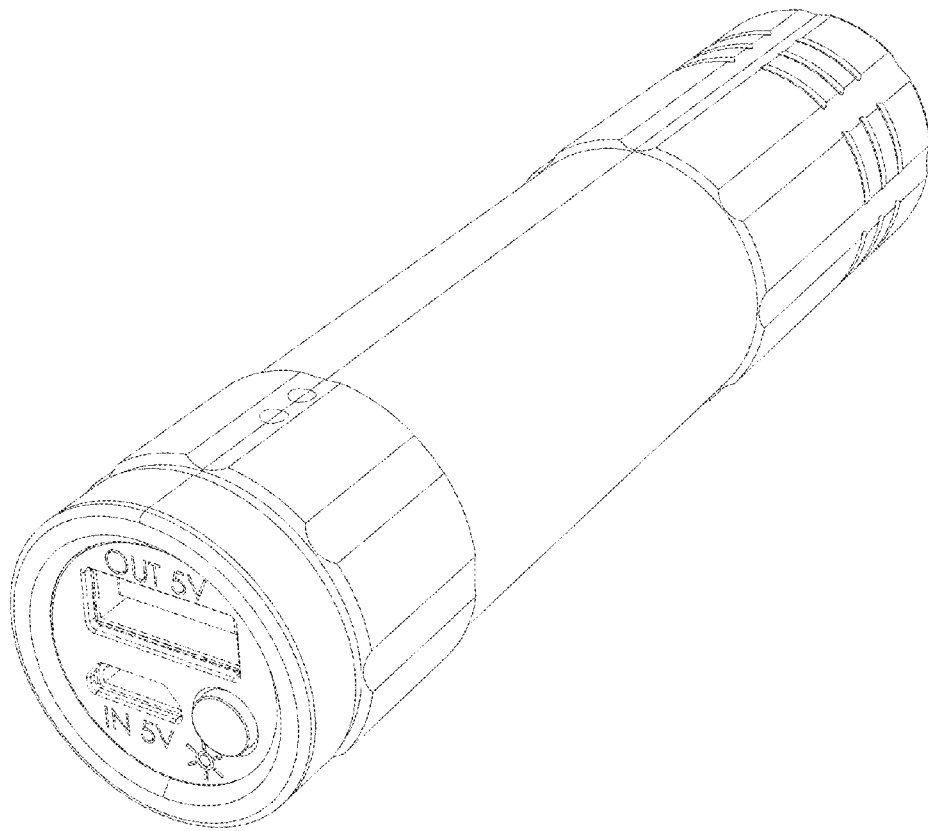


Fig. 1

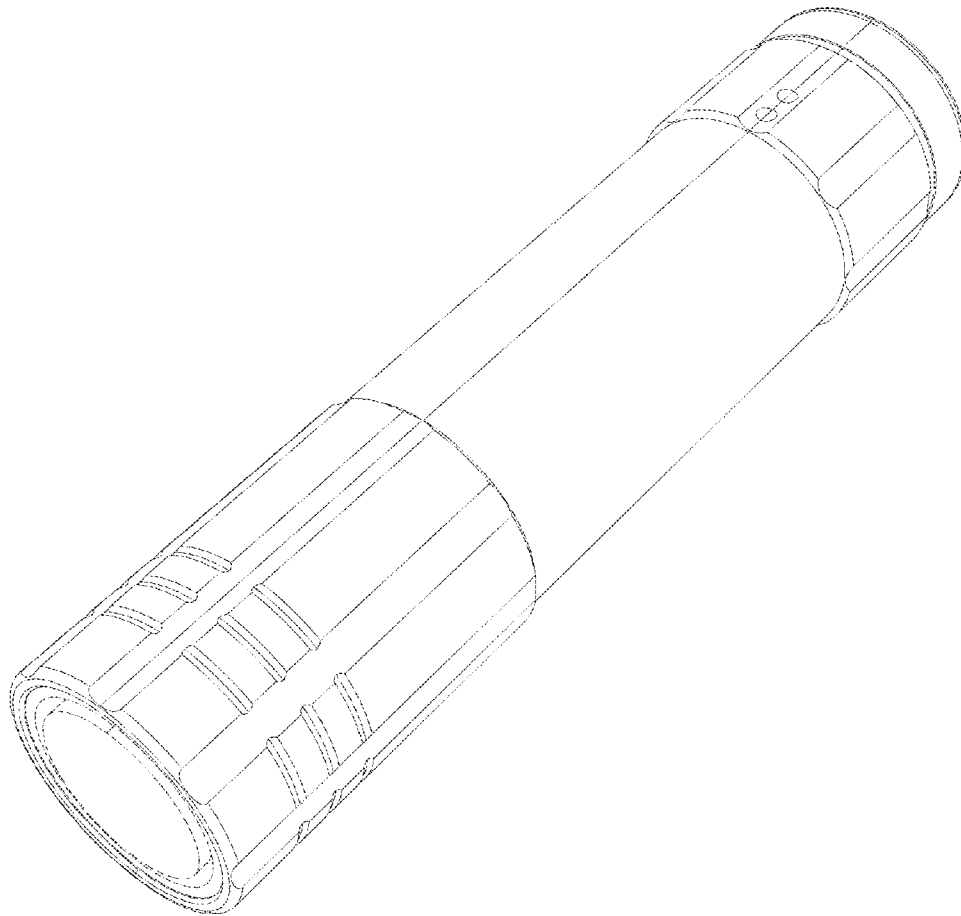


Fig. 2

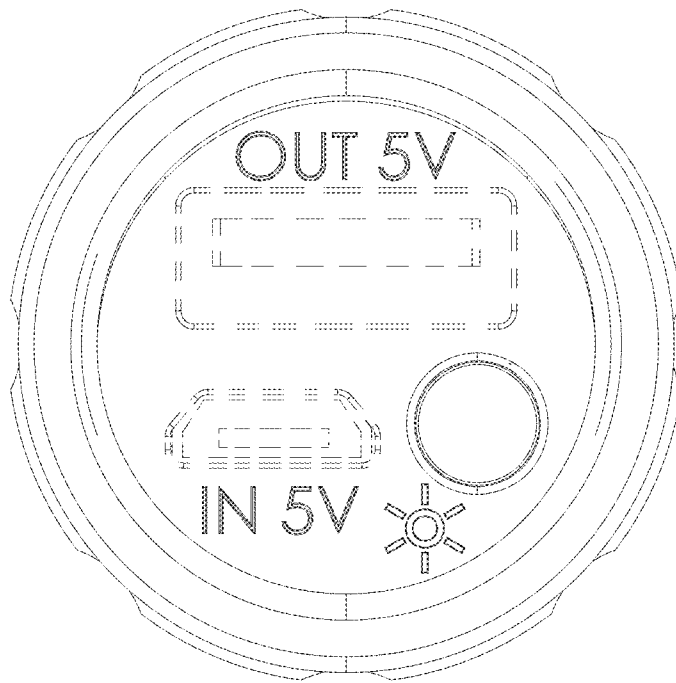


Fig. 3

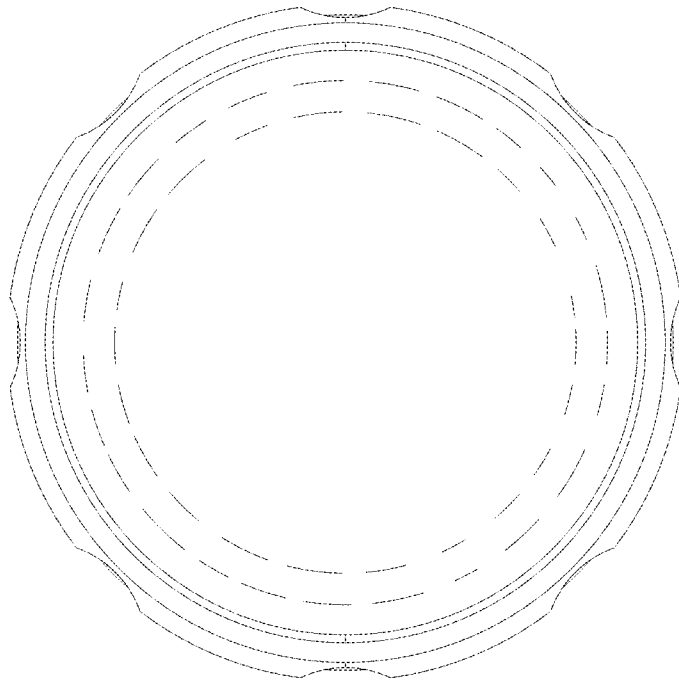


Fig. 4



Fig. 5



Fig. 6

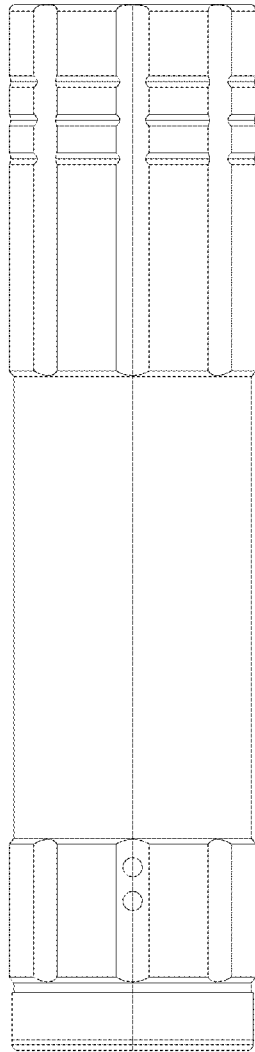


Fig. 7

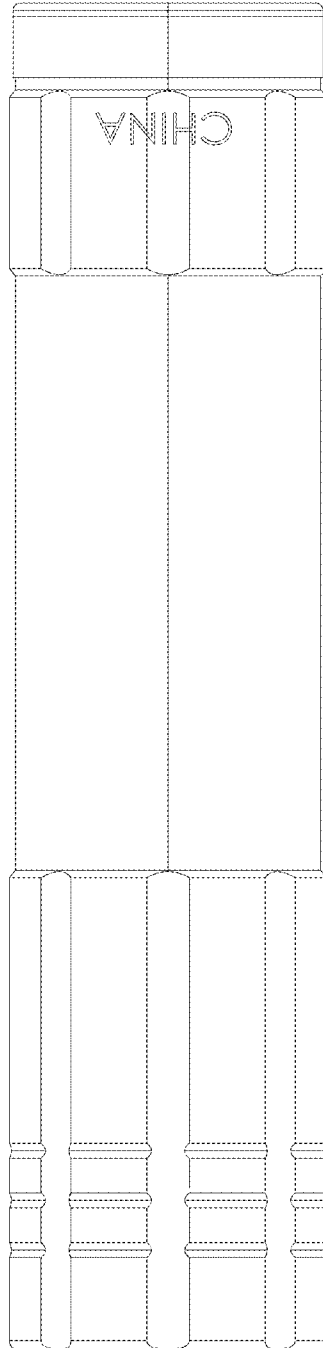


Fig. 8