

[54] **STACKABLE TRAY FOR CANS**
 [75] **Inventors: William P. Apps, Anaheim; Arne Lang-Ree, Manhattan Beach, both of Calif.**
 [73] **Assignee: Rehrig-Pacific Company, Inc., Los Angeles, Calif.**
 [**] **Term: 14 Years**
 [21] **Appl. No.: 272,038**
 [22] **Filed: Nov. 15, 1988**
 [52] **U.S. Cl. D34/40**
 [58] **Field of Search D34/40-46; D9/418, 432, 424; 206/509, 511, 512, 515, 518, 499, 427, 557, 566, 541, 513; 220/21, 23, 23.6, DIG. 2, 306; 211/126, 229**

4,249,671 2/1981 Crolli 220/21
 4,342,403 8/1982 Badtke et al. 220/306 X
 4,700,837 10/1987 Hammett 206/427

FOREIGN PATENT DOCUMENTS

1152038 5/1969 United Kingdom 220/21
 1182452 2/1970 United Kingdom 220/21

Primary Examiner—Melvin B. Feifer
Assistant Examiner—Prabhakar Deshmukh
Attorney, Agent, or Firm—Banner, Birch, McKie & Beckett

CLAIM

[57] The ornamental design for a stackable tray for cans, as shown and described.

DESCRIPTION

FIG. 1 is a top perspective view of a stackable tray for cans showing our new design;
 FIG. 2 is a bottom perspective view thereof;
 FIG. 3 is a top plan view thereof;
 FIG. 4 is a bottom plan view thereof;
 FIG. 5 is a right side elevation thereof, the left side elevation being a mirror image;
 FIG. 6 is a front elevation thereof, the rear elevation being a mirror image thereof;
 FIG. 7 is a top perspective view of a modified form of FIG. 1;
 FIG. 8 is a bottom perspective view of FIG. 7;
 FIG. 9 is a top plan view of FIG. 7;
 FIG. 10 is a bottom plan view of FIG. 7;
 FIG. 11 is a right side elevation of FIG. 7, the left side elevation being a mirror image; and
 FIG. 12 is a front elevation of FIG. 7, the rear elevation being a mirror image.

References Cited

U.S. PATENT DOCUMENTS

D. 244,486 5/1977 Jonson et al. D34/43
 D. 247,652 3/1978 Carroll et al. D34/43
 D. 284,841 7/1986 Rowland et al. D34/40
 D. 291,178 8/1987 Toms D9/424 X
 3,009,579 11/1961 Ettlenger, Jr. 211/71
 3,155,268 11/1964 Fogerty et al. 220/21
 3,333,727 8/1967 Belcher et al. 220/97
 3,347,405 10/1967 Motsenbocker et al. 220/21
 3,349,943 10/1967 Box 220/21
 3,391,814 7/1968 Box 220/21
 3,391,815 7/1968 Box 220/21
 3,428,207 2/1969 Schoeller 220/21
 3,517,852 6/1970 Schoeller 220/21
 3,949,876 4/1976 Bridges et al. 206/427
 4,161,259—7/1979 Palafox 220/21

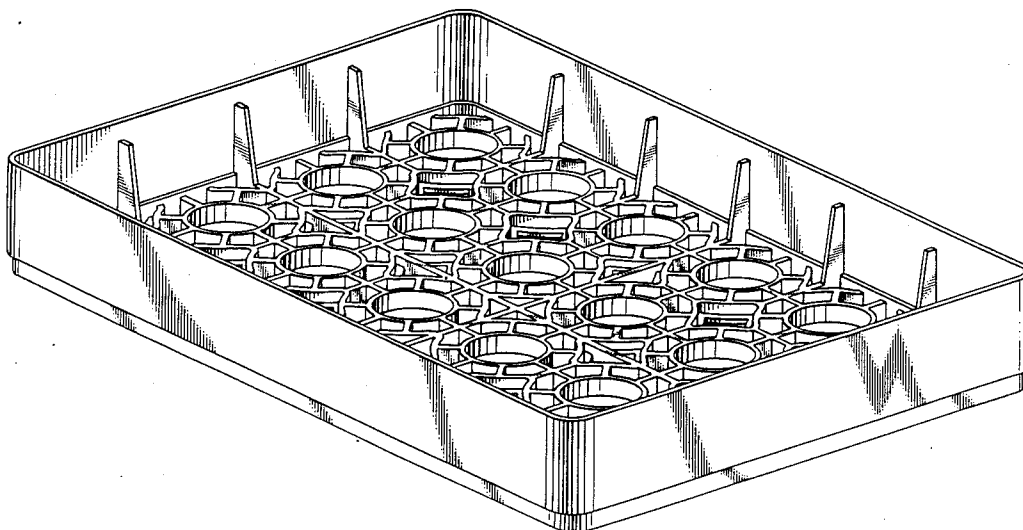
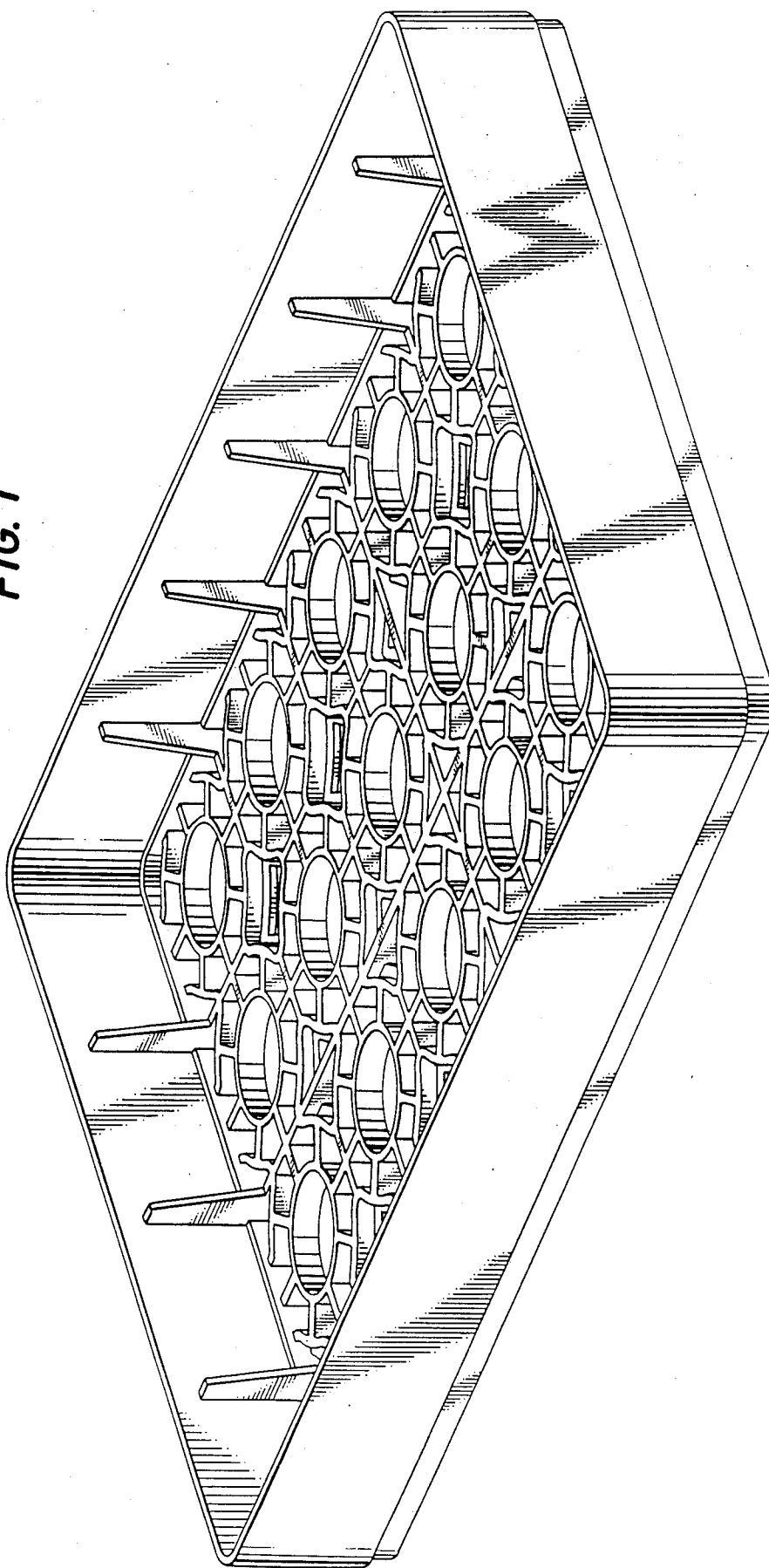


FIG. 1



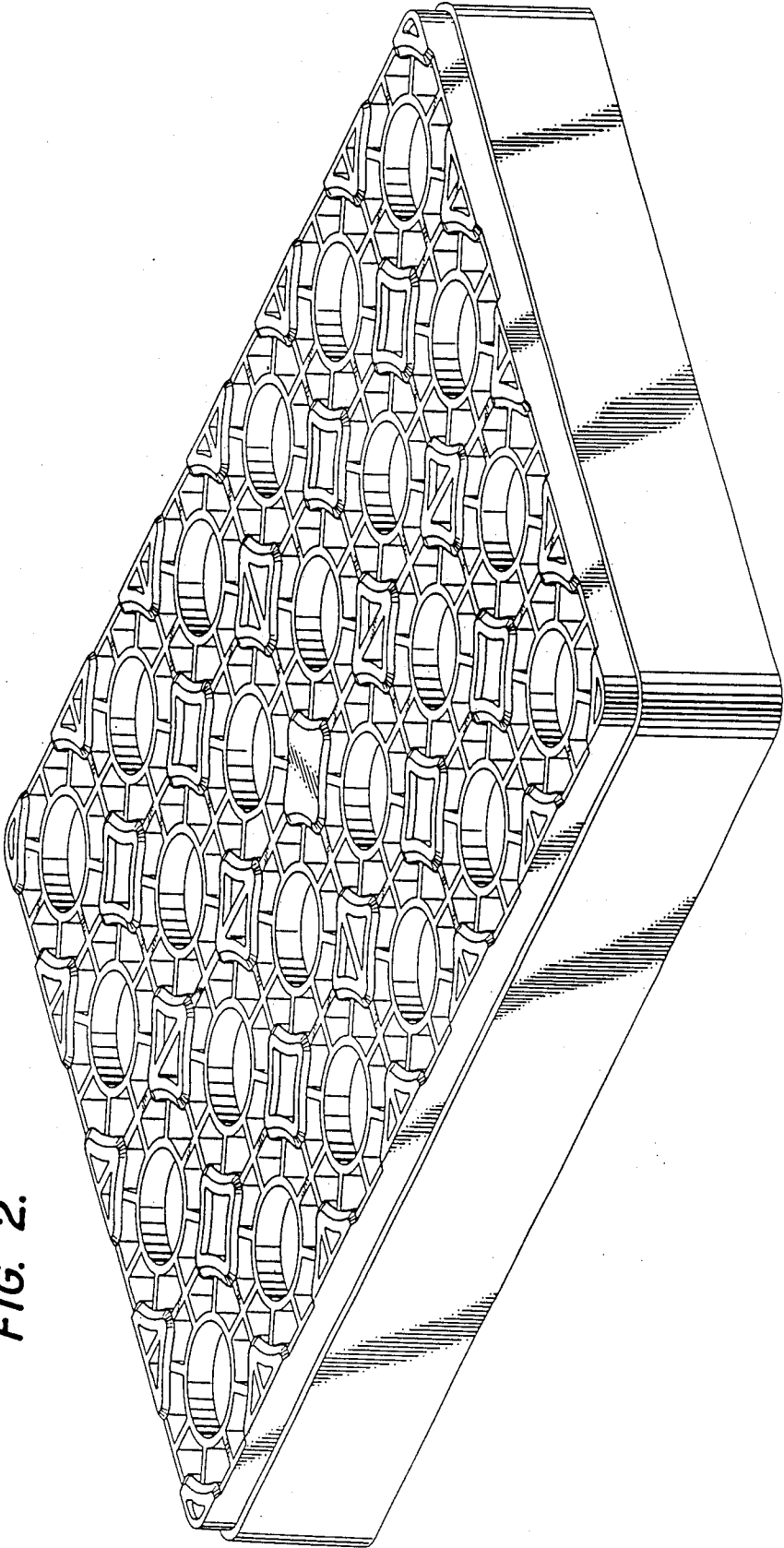


FIG. 2.

FIG. 3.

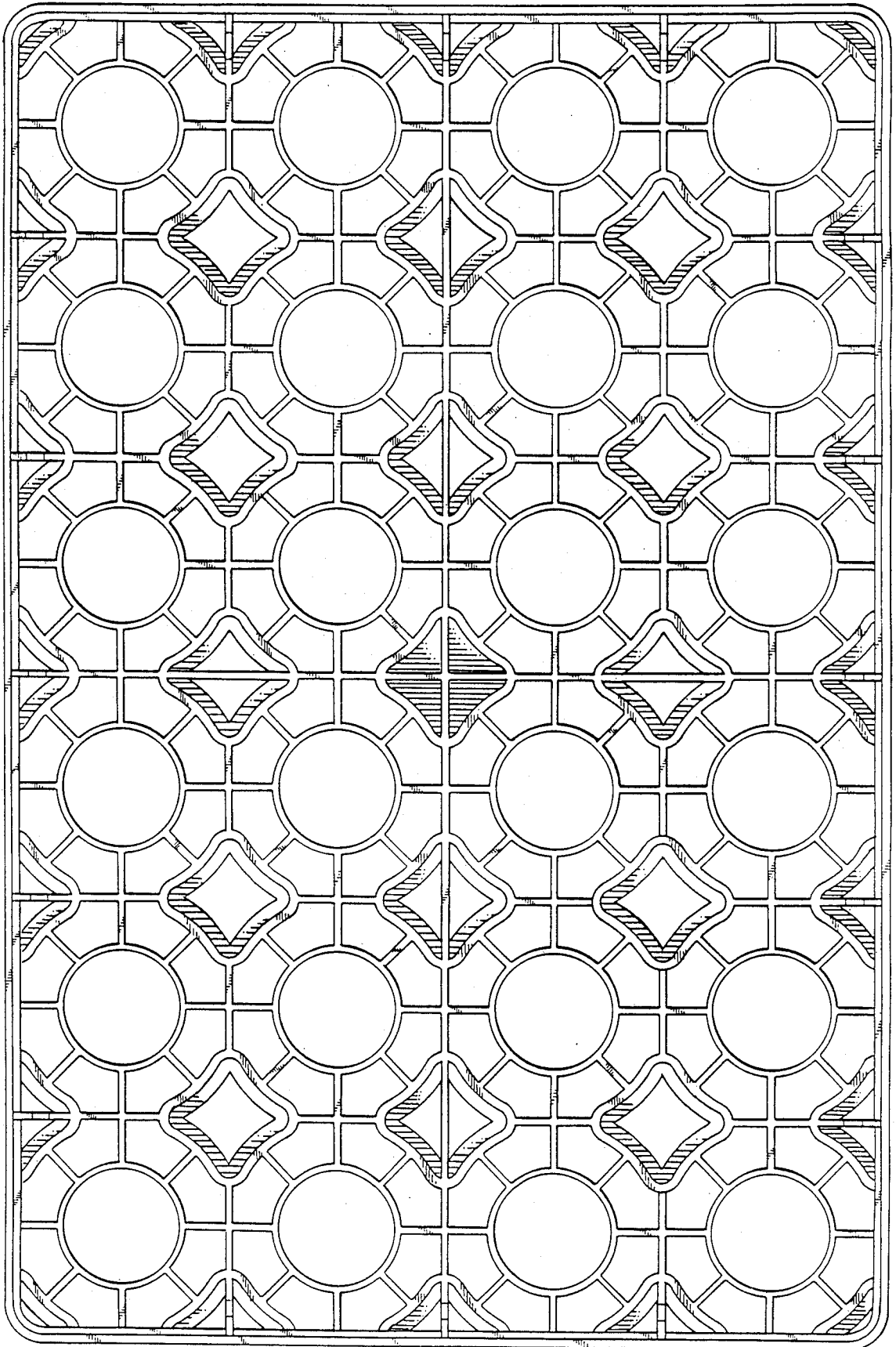


FIG. 4

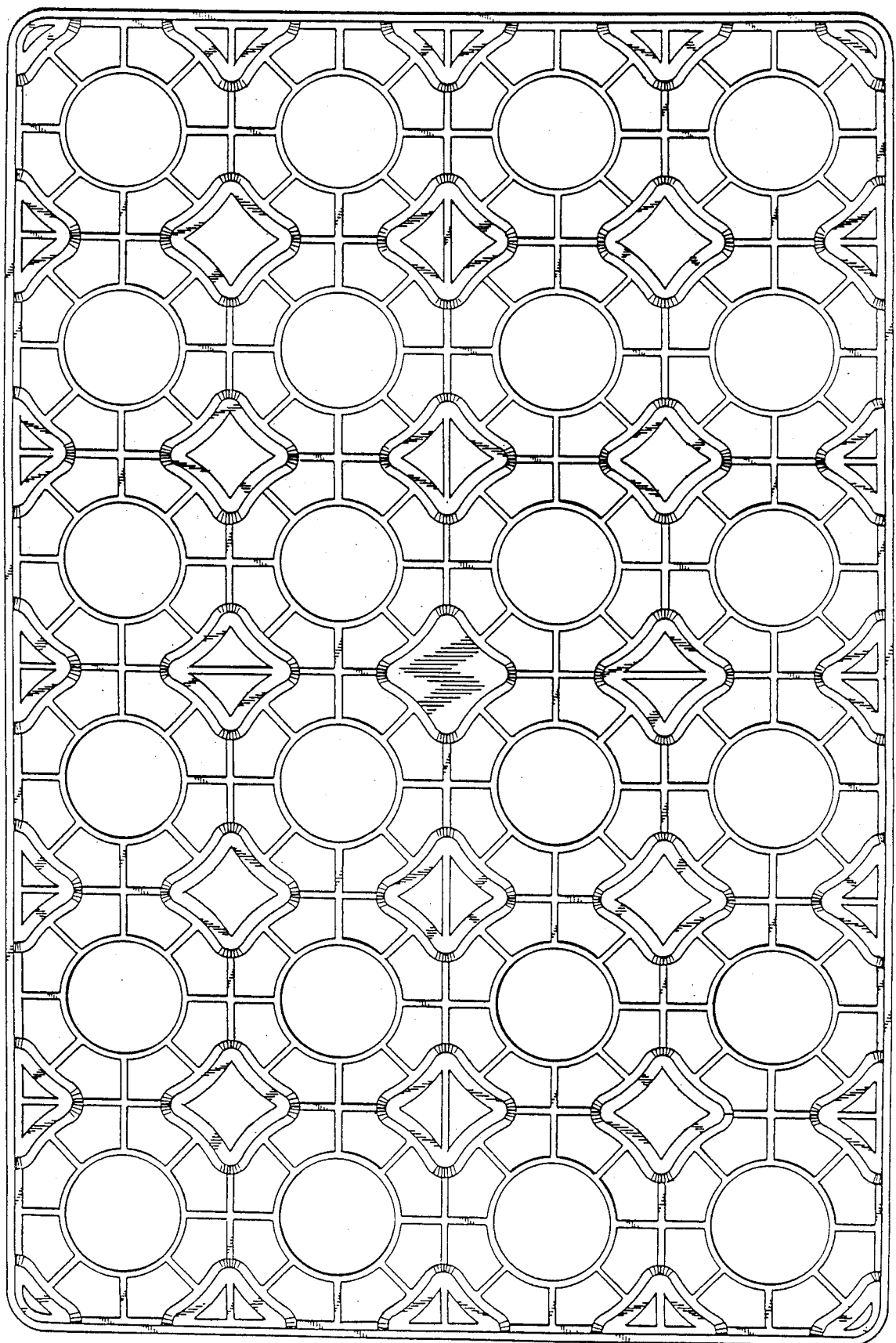


FIG. 5

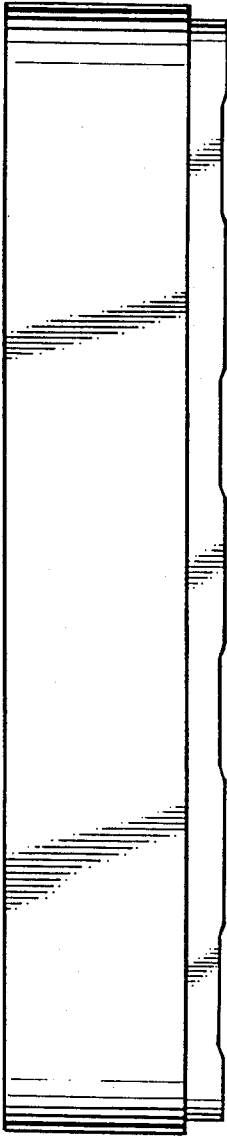


FIG. 6

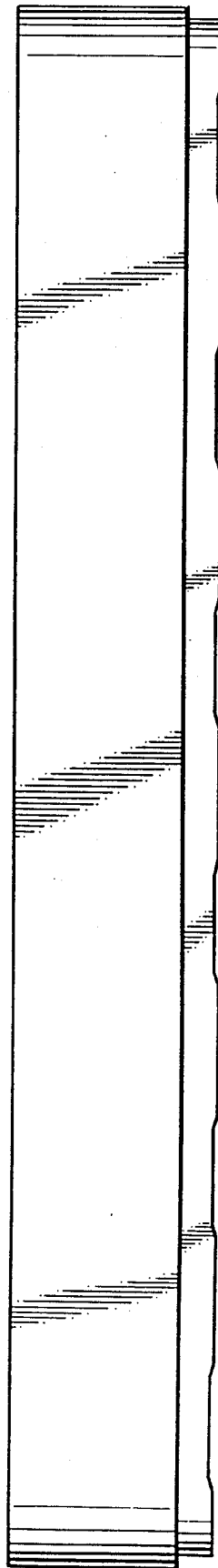
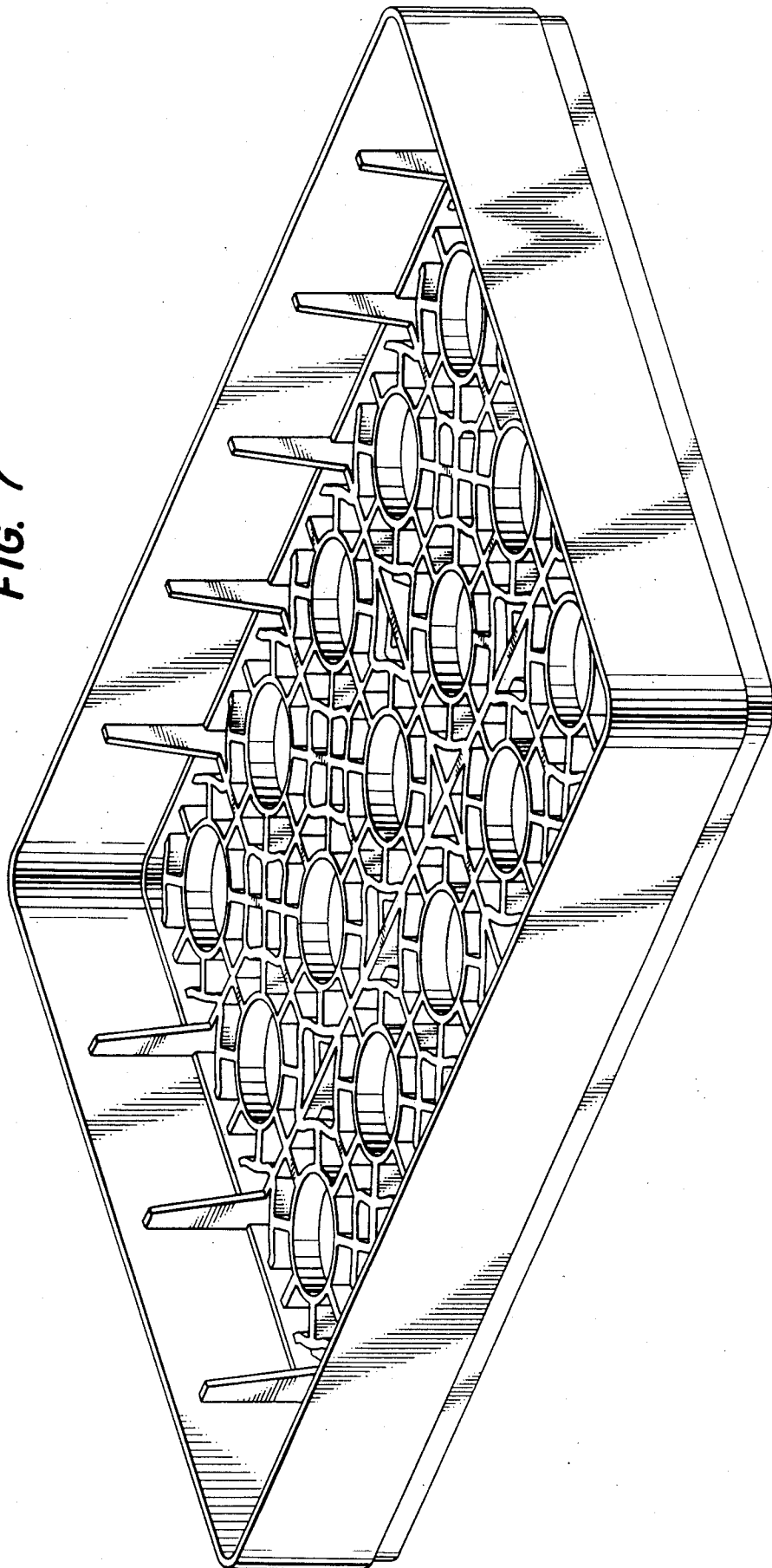


FIG. 7



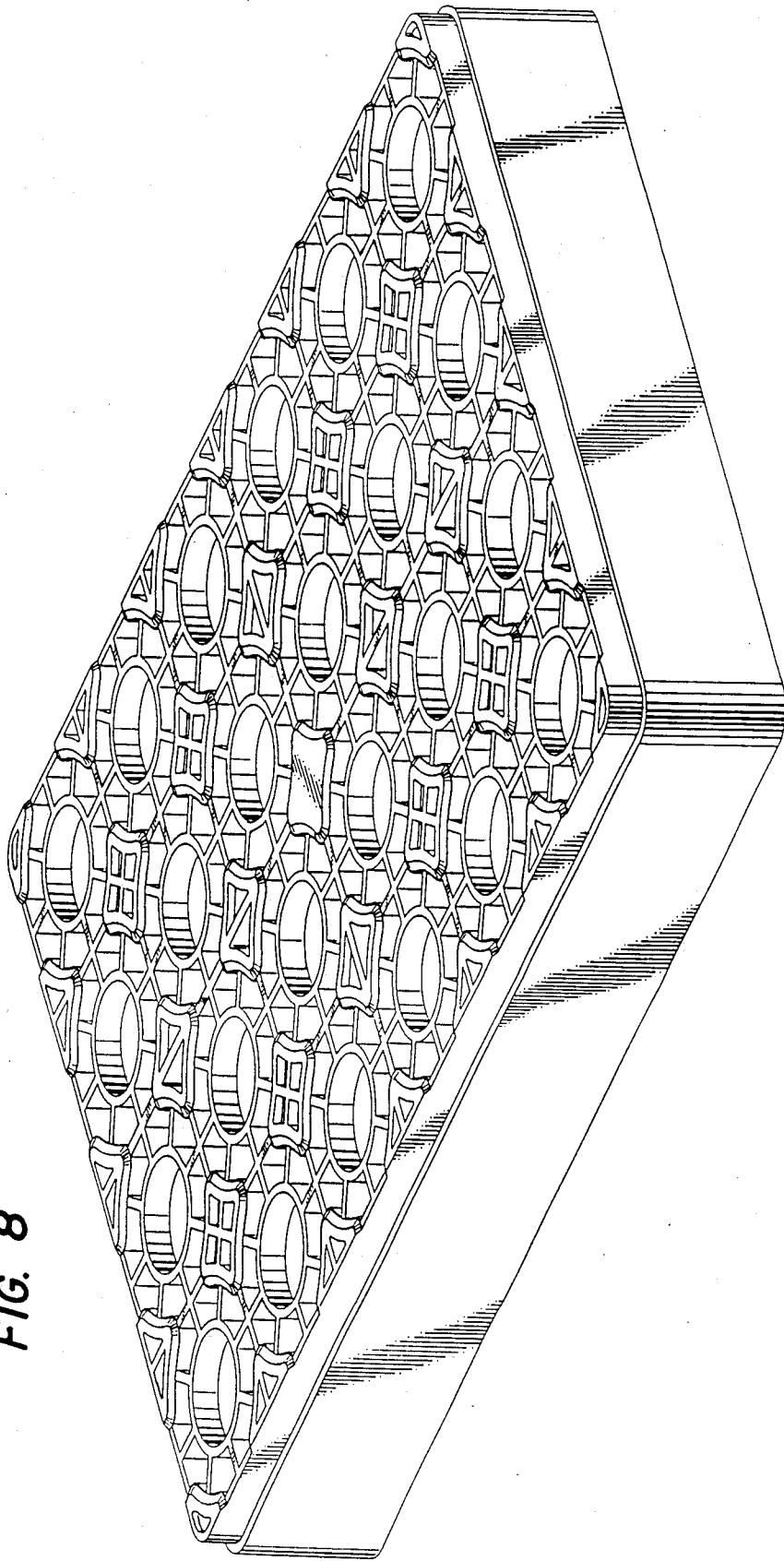


FIG. 8

FIG. 9

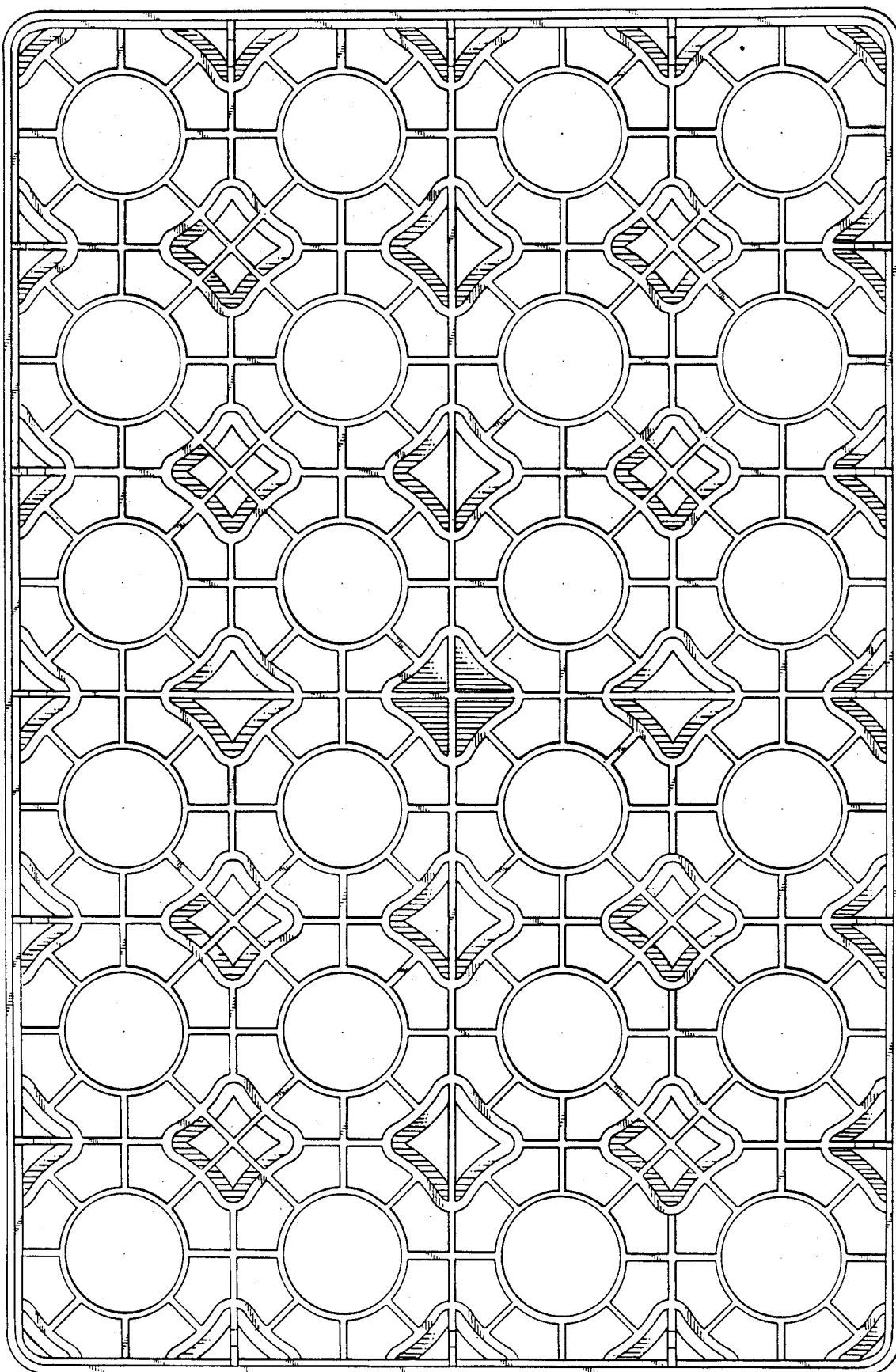


FIG. 10

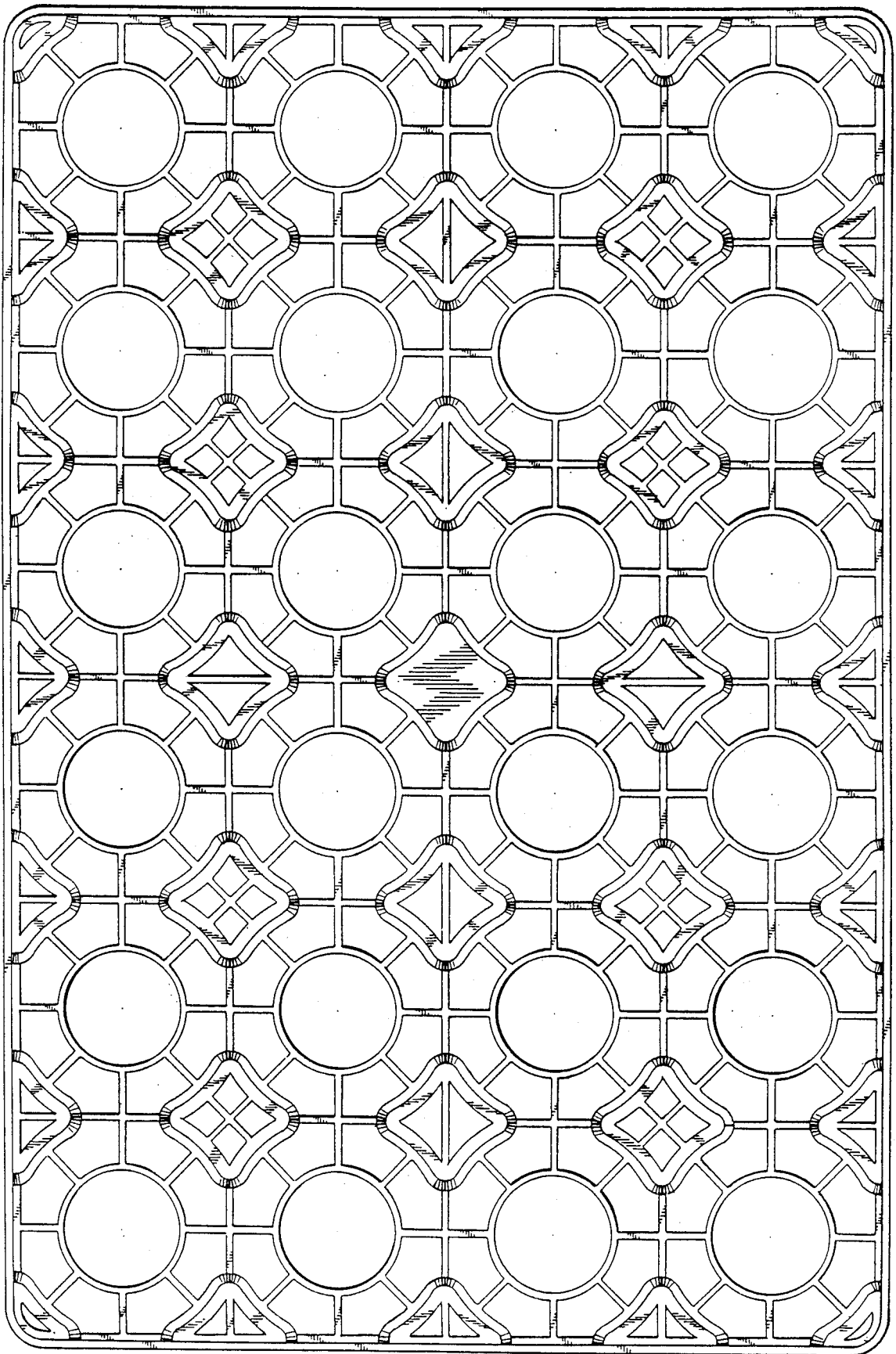


FIG. 11

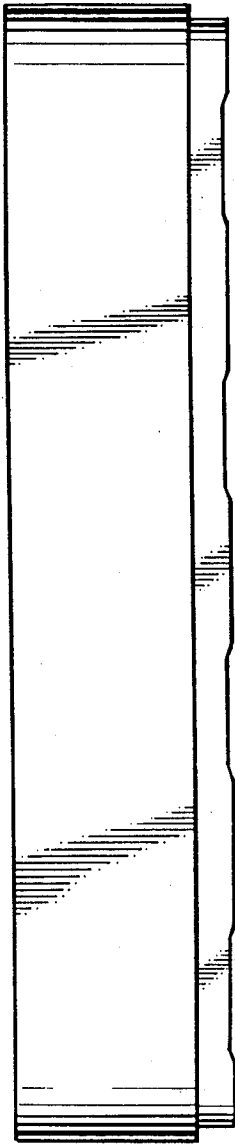


FIG. 12

