



- (51) International Patent Classification:  
*D03J 1/22* (2006.01)
- (21) International Application Number:  
PCT/EP2013/072499
- (22) International Filing Date:  
28 October 2013 (28.10.2013)
- (25) Filing Language: English
- (26) Publication Language: English
- (30) Priority Data:  
BE 2012/0758 7 November 2012 (07.11.2012) BE
- (71) Applicant: PIKANOL [BE/BE]; Steverlyncklaan 15, B-8900 Ieper (BE).
- (72) Inventor: PEETERS, Jozef; Bukkersstraat 32, B-8900 Ieper (BE).
- (74) Agent: PATENTANWÄLTE RUFF, WILHELM, BEIER, DAUSTER & PARTNER; Kronenstraße 30, 70174 Stuttgart (DE).
- (81) Designated States (unless otherwise indicated, for every kind of national protection available): AE, AG, AL, AM, AO, AT, AU, AZ, BA, BB, BG, BH, BN, BR, BW, BY, BZ, CA, CH, CL, CN, CO, CR, CU, CZ, DE, DK, DM, DO, DZ, EC, EE, EG, ES, FI, GB, GD, GE, GH, GM, GT,

HN, HR, HU, ID, IL, IN, IR, IS, JP, KE, KG, KN, KP, KR, KZ, LA, LC, LK, LR, LS, LT, LU, LY, MA, MD, ME, MG, MK, MN, MW, MX, MY, MZ, NA, NG, NI, NO, NZ, OM, PA, PE, PG, PH, PL, PT, QA, RO, RS, RU, RW, SA, SC, SD, SE, SG, SK, SL, SM, ST, SV, SY, TH, TJ, TM, TN, TR, TT, TZ, UA, UG, US, UZ, VC, VN, ZA, ZM, ZW.

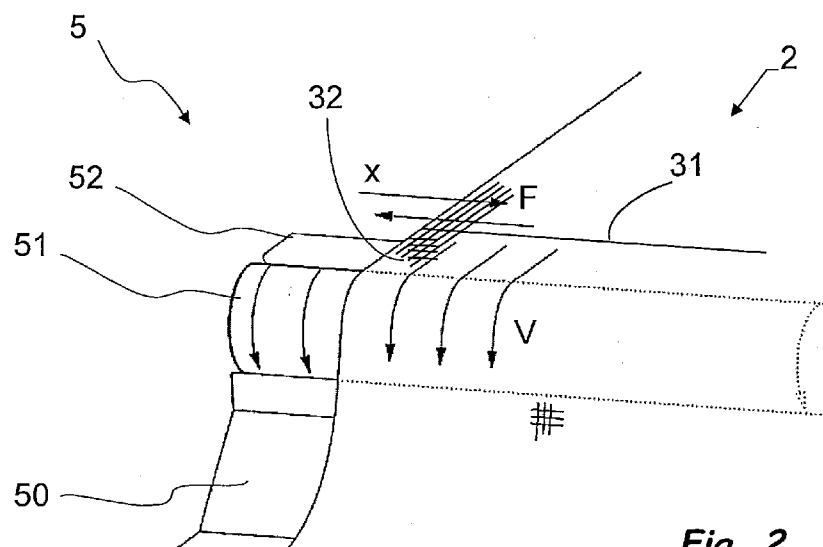
(84) Designated States (unless otherwise indicated, for every kind of regional protection available): ARIPO (BW, GH, GM, KE, LR, LS, MW, MZ, NA, RW, SD, SL, SZ, TZ, UG, ZM, ZW), Eurasian (AM, AZ, BY, KG, KZ, RU, TJ, TM), European (AL, AT, BE, BG, CH, CY, CZ, DE, DK, EE, ES, FI, FR, GB, GR, HR, HU, IE, IS, IT, LT, LU, LV, MC, MK, MT, NL, NO, PL, PT, RO, RS, SE, SI, SK, SM, TR), OAPI (BF, BJ, CF, CG, CI, CM, GA, GN, GQ, GW, KM, ML, MR, NE, SN, TD, TG).

**Published:**

- with international search report (Art. 21(3))
- before the expiration of the time limit for amending the claims and to be republished in the event of receipt of amendments (Rule 48.2(h))

(88) Date of publication of the international search report:  
3 July 2014

(54) Title: SUPPORTING SYSTEM AND WEAVING MACHINE WITH A SUPPORTING SYSTEM



**Fig. 2**

(57) Abstract: Supporting system for supporting a woven fabric on a weaving machine, having at least two guide parts (5, 6, 6a) arranged at the opposite ends of the supporting system (2, 2a) for supporting the woven fabric (32), wherein each guide part (5, 6, 6a) comprises a guiding element that is rotatably mounted to a respective holder (50, 60, 60a) and configured to move in contact with the woven fabric without relative sliding of the woven fabric over the contact surface in the moving direction of the woven fabric. The invention further relates to a weaving machine with a supporting system.

WO 2014/072199 A3

INTERNATIONAL SEARCH REPORT

International application No  
PCT/EP2013/072499

A. CLASSIFICATION OF SUBJECT MATTER  
INV. D03J1/22  
ADD.  
According to International Patent Classification (IPC) or to both national classification and IPC

B. FIELDS SEARCHED  
Minimum documentation searched (classification system followed by classification symbols)  
D03J

Documentation searched other than minimum documentation to the extent that such documents are included in the fields searched

Electronic data base consulted during the international search (name of data base and, where practicable, search terms used)  
EPO-Internal, WPI Data

C. DOCUMENTS CONSIDERED TO BE RELEVANT

Category*	Citation of document, with indication, where appropriate, of the relevant passages	Relevant to claim No.
X	JP H03 59384 U (XYZ) 11 June 1991 (1991-06-11) figures 1-3 -----	1-10, 13-15
X	JP S56 15446 A (NISSAN MOTOR) 14 February 1981 (1981-02-14) figures 6-9 -----	1-8,10, 15
X	GB 1 436 256 A (HUNZIKER G AG) 19 May 1976 (1976-05-19) page 2, lines 19-63; figures 1-4 -----	1-15
X	US 4 627 473 A (LUDWIG HUBERTUS [DE]) 9 December 1986 (1986-12-09) column 2, lines 39-46 column 3, lines 11-16; figures 1,2 ----- -/--	1-7

Further documents are listed in the continuation of Box C.

See patent family annex.

\* Special categories of cited documents :

- "A" document defining the general state of the art which is not considered to be of particular relevance
- "E" earlier application or patent but published on or after the international filing date
- "L" document which may throw doubts on priority claim(s) or which is cited to establish the publication date of another citation or other special reason (as specified)
- "O" document referring to an oral disclosure, use, exhibition or other means
- "P" document published prior to the international filing date but later than the priority date claimed

"T" later document published after the international filing date or priority date and not in conflict with the application but cited to understand the principle or theory underlying the invention

"X" document of particular relevance; the claimed invention cannot be considered novel or cannot be considered to involve an inventive step when the document is taken alone

"Y" document of particular relevance; the claimed invention cannot be considered to involve an inventive step when the document is combined with one or more other such documents, such combination being obvious to a person skilled in the art

"&" document member of the same patent family

Date of the actual completion of the international search  2 May 2014	Date of mailing of the international search report  12/05/2014
---	--

Name and mailing address of the ISA/ European Patent Office, P.B. 5818 Patentlaan 2 NL - 2280 HV Rijswijk Tel. (+31-70) 340-2040, Fax: (+31-70) 340-3016	Authorized officer  Louter, Petrus
--	--

## INTERNATIONAL SEARCH REPORT

International application No  
PCT/EP2013/072499

C(Continuation). DOCUMENTS CONSIDERED TO BE RELEVANT

Category*	Citation of document, with indication, where appropriate, of the relevant passages	Relevant to claim No.
A	US 2006/252325 A1 (MATSUMURA MINEAKI [JP] ET AL) 9 November 2006 (2006-11-09) paragraphs [0038], [0043], [0097] - [0102]; figures 2,3 -----	1-15

# INTERNATIONAL SEARCH REPORT

Information on patent family members

International application No PCT/EP2013/072499
---

Patent document cited in search report	Publication date	Patent family member(s)	Publication date
JP H0359384	U	11-06-1991	NONE
JP S5615446	A	14-02-1981	NONE
GB 1436256	A	19-05-1976	NONE
US 4627473	A	09-12-1986	BE 900098 A1 05-11-1984
			CH 662831 A5 30-10-1987
			DE 3335208 A1 25-04-1985
			FR 2552787 A1 05-04-1985
			GB 2147321 A 09-05-1985
			IT 1182289 B 05-10-1987
			JP S6075651 A 30-04-1985
			JP S6212337 B2 18-03-1987
US 4627473 A 09-12-1986			
US 2006252325	A1	09-11-2006	NONE