



US00D762266S

(12) **United States Design Patent**
Bolieau

(10) **Patent No.:** **US D762,266 S**

(45) **Date of Patent:** **** Jul. 26, 2016**

(54) **COMBINATION CRIBBAGE BOARD AND CABINET**

(56) **References Cited**

U.S. PATENT DOCUMENTS

(71) Applicant: **Roger A. Bolieau**, N. Fort Myers, FL (US)

(72) Inventor: **Roger A. Bolieau**, N. Fort Myers, FL (US)

(**) Term: **14 Years**

(21) Appl. No.: **29/515,478**

(22) Filed: **Jan. 23, 2015**

(51) **LOC (10) Cl.** **21-01**

(52) **U.S. Cl.**
USPC **D21/343; D21/393**

(58) **Field of Classification Search**
USPC D21/300, 324, 333-346, 365, 369, 385, D21/392-397, 148 R, 309, 459, 460; 273/342-346, 335, 236, 237, 238, 242, 273/244.2, 248-263, 274, 275, 277-291, 273/292; D10/46.1, 46; 235/90, 1 B-1 D; 463/13, 1, 46, 47; 16/225; 116/222-225, 325, 326

CPC A63F 1/00; A63F 1/06; A63F 1/062; A63F 1/067; A63F 1/18; A63F 3/0023; A63F 3/00574; A63F 3/00006; A63F 3/00643; A63F 3/00082; A63F 3/00097; A63F 3/00173; A63F 3/00157; A63F 3/00261; A63F 2003/00233; A63F 2003/00946; A63F 2003/00943; A63F 2003/0034; A63F 2003/00583; A63F 2003/00182; A63F 2003/0022; A63F 2003/00255; A63F 2003/00457; A63F 2250/20; A63F 9/0093; A63F 9/24; A63F 11/0051; A63F 2011/0055; A63F 2009/245134

D25,651 S * 6/1896 Somerville D21/343
648,814 A * 5/1900 Trewartha A63F 1/06
235/90
766,545 A * 8/1904 Sterl A63F 1/06
116/222
D47,422 S * 6/1915 Read D10/46.1
1,168,374 A * 1/1916 Barker A63F 1/18
235/90
1,299,489 A * 4/1919 Lowman A63F 1/18
235/90
1,420,334 A * 6/1922 Neuner A63F 3/0023
273/285
1,849,676 A * 3/1932 Loewenthal A63F 3/00895
273/285
D90,755 S * 9/1933 Elliotte D10/46.1
D136,008 S * 7/1943 Brooks 273/148 R
D144,692 S * 5/1946 Canfield D10/46.1
2,477,825 A * 8/1949 Richardson A63F 1/18
116/222
2,482,247 A 9/1949 Colon
D159,808 S * 8/1950 Haring D10/46.1
2,544,900 A * 3/1951 Saqui A63F 1/18
235/90
2,560,583 A * 7/1951 Lupton A63B 71/0672
235/124

(Continued)

Primary Examiner — Susan Moon Lee

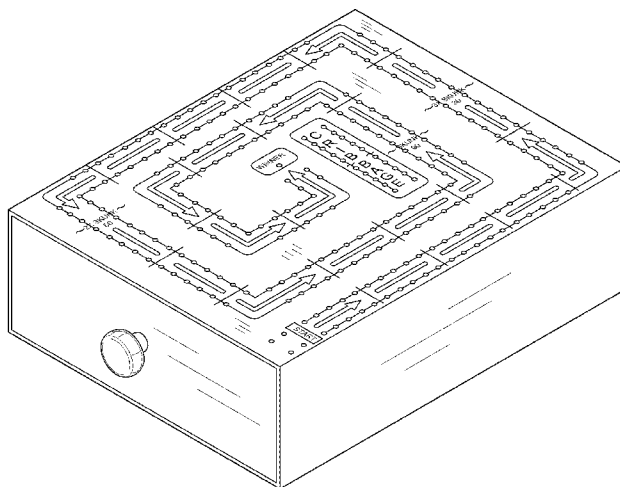
(57) **CLAIM**
The ornamental design for a combination cribbage board and cabinet, as shown and described.

DESCRIPTION

FIG. 1 is a top view of a combination cribbage board and cabinet showing my new design;
FIG. 2 is a bottom view thereof;
FIG. 3 is a front view thereof;
FIG. 4 is a rear view thereof;
FIG. 5 is a right side view of the combination cribbage board and cabinet, the left side being a mirror image thereof; and,
FIG. 6 is a top, front, side perspective view thereof.

1 Claim, 5 Drawing Sheets

See application file for complete search history.



(56)

References Cited

U.S. PATENT DOCUMENTS

D171,246 S *	1/1954	Carlson	D10/46.1	D263,061 S *	2/1982	Lease	D10/46.1
D176,474 S *	12/1955	Napp	D21/346	4,521,675 A *	6/1985	Yakich	A63F 1/06 235/90
2,801,856 A *	8/1957	Medowar	A63F 3/00006 101/378	4,541,635 A *	9/1985	Shoptaugh	A63F 3/00097 273/258
3,051,490 A *	8/1962	Newman	A63B 71/0672 235/90	D285,539 S *	9/1986	Fudro	D10/46.1
3,169,768 A *	2/1965	Glass	A63F 3/00006 273/139	D285,666 S *	9/1986	Post	D10/46.1
D201,087 S *	5/1965	De Clercq	D10/46.1	D295,055 S *	4/1988	Shoptaugh	D21/342
3,194,560 A *	7/1965	White	A63F 3/00643 273/139	D311,501 S *	10/1990	Defayette	D10/46.1
3,347,460 A *	10/1967	Dickson	A63F 1/06 116/222	D311,707 S *	10/1990	Clements	D10/46.1
D218,692 S *	9/1970	McSweeney	273/249	5,028,765 A *	7/1991	Hull	A63F 1/18 235/90
D222,780 S *	12/1971	Wagnild	273/242	5,126,717 A	6/1992	Renaud et al.	
3,711,101 A *	1/1973	Breslow	A63F 3/00643 200/61.1	5,240,249 A	8/1993	Czarnecki et al.	
3,731,934 A *	5/1973	Shoptaugh	A63F 3/00097 273/258	D341,547 S *	11/1993	Shaftel	D10/46.1
3,856,307 A *	12/1974	Tinman	A63F 3/00643 273/138.2	5,490,675 A *	2/1996	Persidsky	A63F 3/00694 273/239
3,895,799 A *	7/1975	Rinne	A63F 3/00041 273/240	5,491,324 A *	2/1996	Vanderpool	A63F 1/06 116/325
3,921,983 A *	11/1975	Taylor	A63F 11/0002 206/818	D376,324 S *	12/1996	McMann	D10/46.1
D238,383 S *	1/1976	Birchall	D10/46.1	5,590,883 A	1/1997	Brewer	
D251,078 S	2/1979	Eriksen		5,952,637 A	9/1999	Strunk	
4,236,714 A *	12/1980	Locke	A63F 3/00041 273/238	D416,500 S	11/1999	Church	
				6,257,577 B1 *	7/2001	Sutton	A63F 3/00082 273/246
				8,246,049 B1	8/2012	Martens et al.	
				8,677,924 B1 *	3/2014	Brown	A63F 11/0051 116/325
				2004/0113361 A1	6/2004	Stephens et al.	
				2015/0273318 A1 *	10/2015	Christensen, Jr. ..	A63F 3/00643 273/237

* cited by examiner

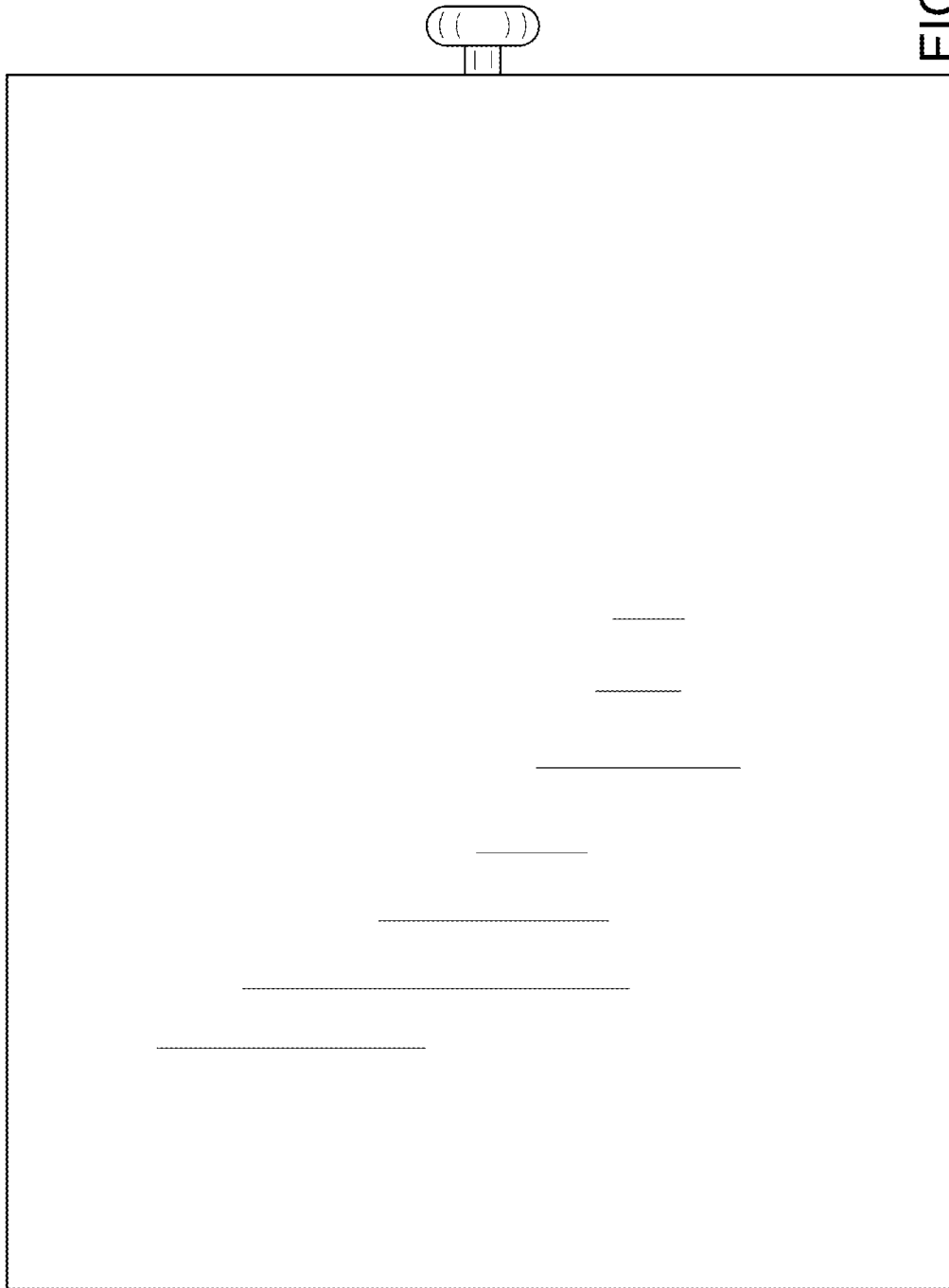


FIG. 2

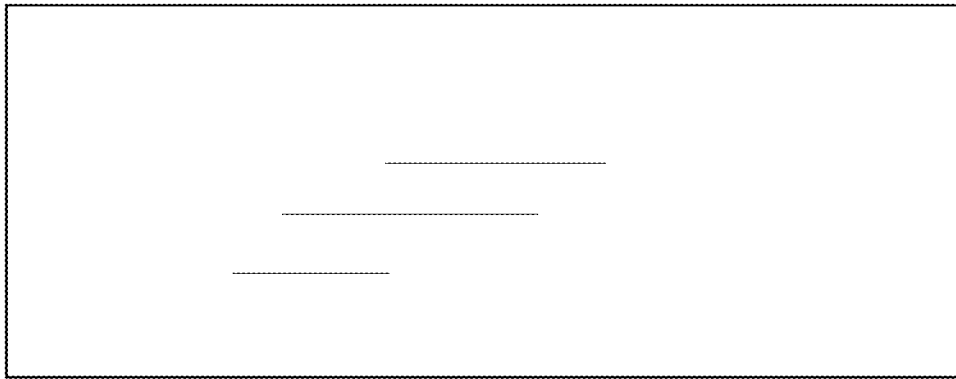


FIG. 4

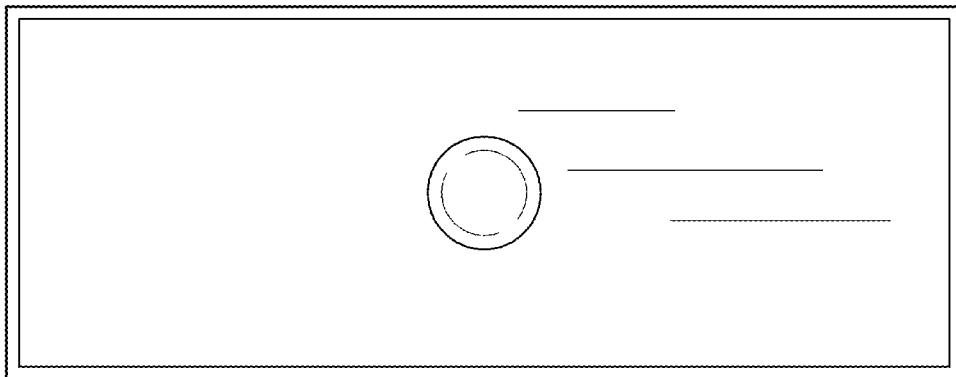


FIG. 3

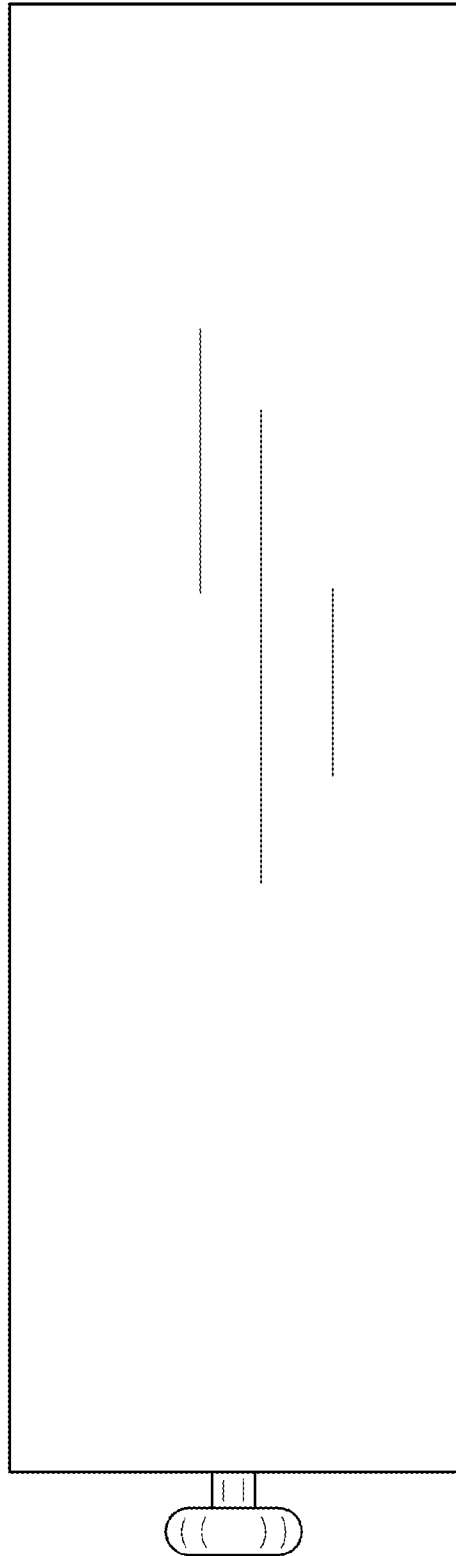


FIG. 5

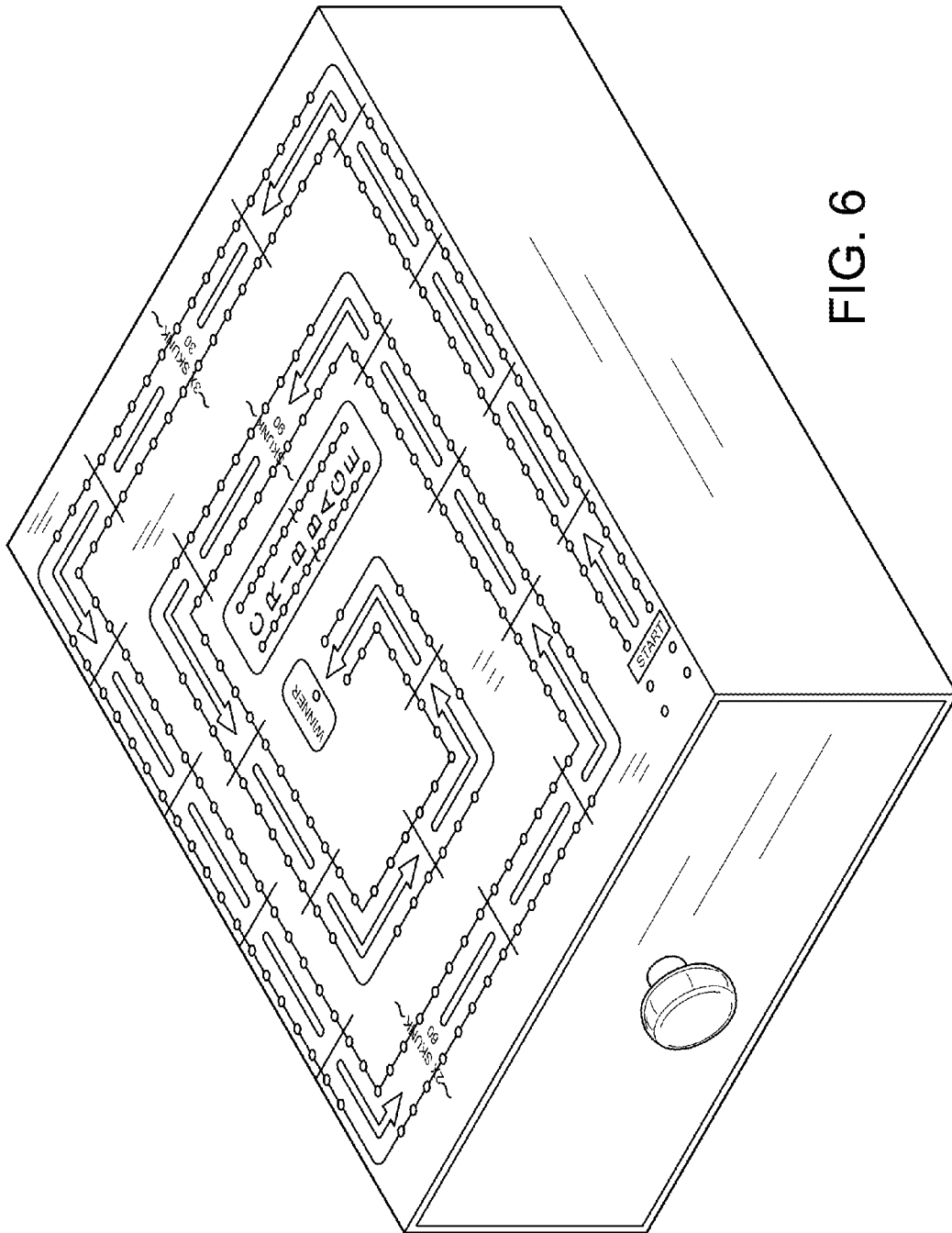


FIG. 6