



US00D955381S

(12) **United States Design Patent** (10) **Patent No.:** **US D955,381 S**
Yamazaki et al. (45) **Date of Patent:** **** Jun. 21, 2022**

(54) **PORTABLE INFORMATION TERMINAL**

H04R 1/02; H04R 5/00; H04R 9/06;
G08B 21/0288; G08B 21/02; F16M 11/00

(71) Applicant: **SEMICONDUCTOR ENERGY LABORATORY Co., Ltd.**, Kanagawa (JP)

See application file for complete search history.

(56) **References Cited**

(72) Inventors: **Shunpei Yamazaki**, Atsugi (JP);
Kensuke Yoshizumi, Atsugi (JP)

U.S. PATENT DOCUMENTS

(73) Assignee: **SEMICONDUCTOR ENERGY LABORATORY CO., LTD.**, Kanagawa-ken (JP)

7,787,917 B2 * 8/2010 Aoki G06F 1/1652
455/575.3
8,471,822 B2 * 6/2013 Lightenberg G06F 3/0446
345/173
D713,841 S * 9/2014 Lim D14/341
(Continued)

(**) Term: **15 Years**

Primary Examiner — Bao-Yen T Nguyen
(74) *Attorney, Agent, or Firm* — Nixon Peabody LLP;
Jeffrey L. Costellia

(21) Appl. No.: **35/509,034**

(22) Filed: **Aug. 8, 2019**

(57) **CLAIM**

The ornamental design for portable information terminal, as shown and described.

(80) **Hague Agreement Data**

Int. Filing Date: **Aug. 8, 2019**

Int. Reg. No.: **DM/206886**

Int. Reg. Date: **Aug. 8, 2019**

Int. Reg. Pub. Date: **Apr. 10, 2020**

DESCRIPTION

(51) **LOC (13) Cl.** **14-02**

(52) **U.S. Cl.**

USPC **D14/345**

(58) **Field of Classification Search**

USPC D14/125-129, 137, 138 AA, 138 AB,
D14/138 G, 138, 138 R, 154, 159-165,
D14/167, 168, 170-172, 188, 192, 194,
D14/203.1, 203.3, 203.4, 203.7, 204, 205,
D14/207, 214, 216, 223, 224, 317, 331,
D14/336, 337, 341-347, 371-377, 388,
D14/389, 420, 432, 439, 440, 447, 448,
D14/451, 452, 457, 496

CPC G06F 1/1601; G06F 1/1605; G06F 1/162;
G06F 1/1613; G06F 1/1647; G06F
1/1641; G06F 1/1616; G06F 1/1652;
G06F 3/04883; G06F 3/0486; G06F
3/0487; G06F 3/0484; H04M 1/0214;

1.-2. Portable information terminal

1.1 : Perspective

1.2 : Perspective

1.3 : Perspective view showing changed state

1.4 : Perspective view showing changed state

1.5 : Front

1.6 : Back

1.7 : Right

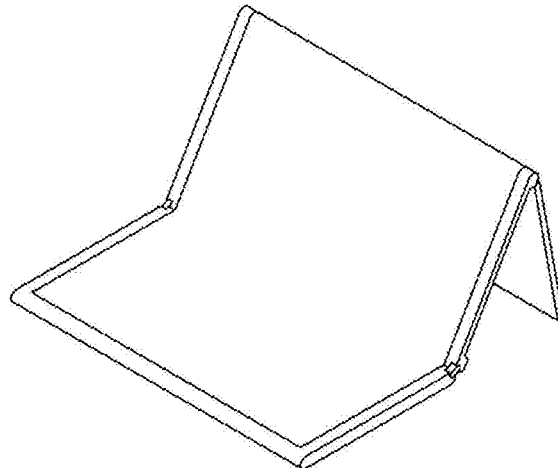
1.8 : Left

1.9 : Top

1.10 : Bottom

Each of design 1 is a portable information terminal functioning as a computer, a media reproducing device (e.g. a musical player, a video player, a game machine), a media storage device, a communication equipment (e.g. a mobile phone), etc.; the portable information terminal comprises connected first to third housing and a flexible display portion supported by the first to third housings; the two-folded state,

(Continued)



the unfolded state, or the state bent in an arbitrary shape, as seen in the reproductions 1.1 to 1.11.

1 Claim, 10 Drawing Sheets

(56)

References Cited

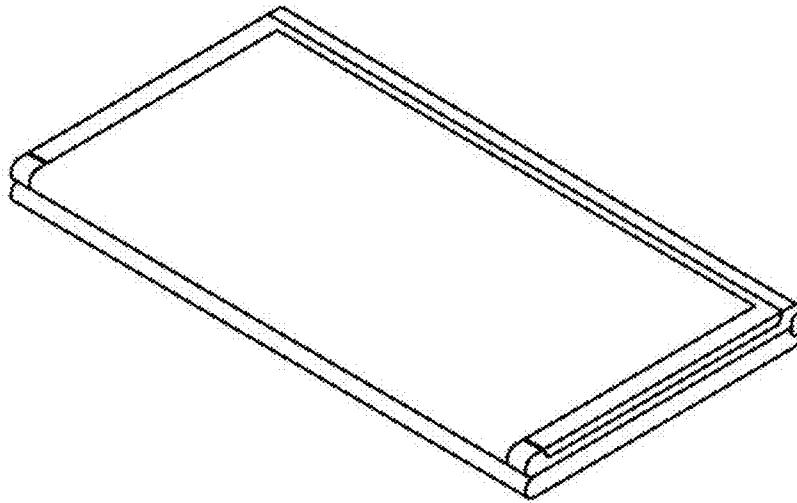
U.S. PATENT DOCUMENTS

D719,540 S * 12/2014 Lee D14/138 AB
 D719,541 S * 12/2014 Lee D14/138 AB
 9,013,368 B1 * 4/2015 Kim G06F 3/1446
 345/1.3
 D741,856 S * 10/2015 Yamazaki D14/345
 D745,516 S * 12/2015 Yamazaki D14/345
 D747,284 S * 1/2016 Endo D14/126
 D749,575 S * 2/2016 Park D14/345
 D753,652 S * 4/2016 Endo D14/341
 D761,254 S * 7/2016 Yamazaki D14/345
 D768,624 S * 10/2016 Bae D14/345
 D770,448 S * 11/2016 Endo D14/371
 9,541,962 B2 * 1/2017 Siddiqui E05D 1/00
 9,655,235 B2 * 5/2017 Hwang H05K 1/028

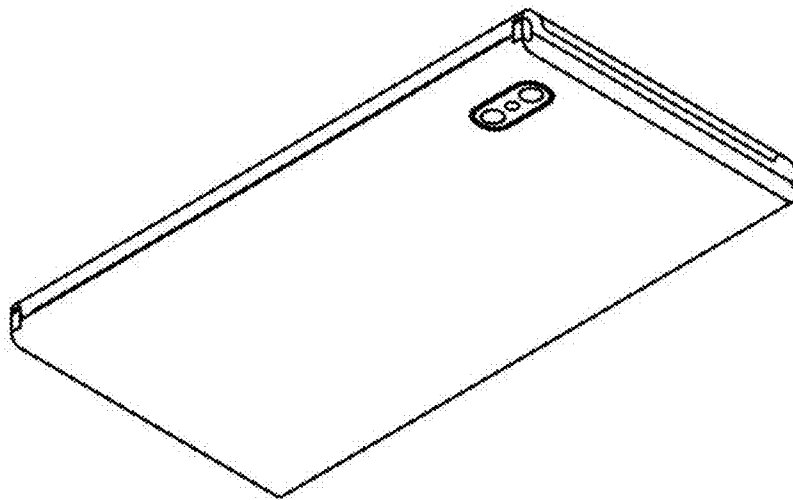
9,720,455 B2 * 8/2017 Jang G06F 1/1641
 9,791,891 B2 * 10/2017 Jung G06F 1/1652
 D816,079 S * 4/2018 Yamazaki D14/341
 D828,319 S * 9/2018 Seo D14/138 AB
 10,104,790 B2 * 10/2018 Lee H05K 5/0226
 D833,431 S * 11/2018 Bae D14/345
 2011/0242026 A1 * 10/2011 Ishigaki G06F 16/9038
 345/173
 2012/0002360 A1 * 1/2012 Seo G06F 1/1652
 361/679.01
 2012/0147599 A1 * 6/2012 Shim G06F 1/1652
 362/231
 2012/0236484 A1 * 9/2012 Miyake G06F 1/1616
 361/679.01
 2012/0264489 A1 * 10/2012 Choi H04M 1/0268
 455/566
 2013/0307805 A1 * 11/2013 Arai G06F 3/04886
 345/173
 2015/0062028 A1 * 3/2015 Go G06F 3/0446
 345/173
 2015/0378397 A1 * 12/2015 Park G06F 1/1652
 361/679.27
 2016/0062412 A1 * 3/2016 Park G06F 1/1616
 361/679.27

* cited by examiner

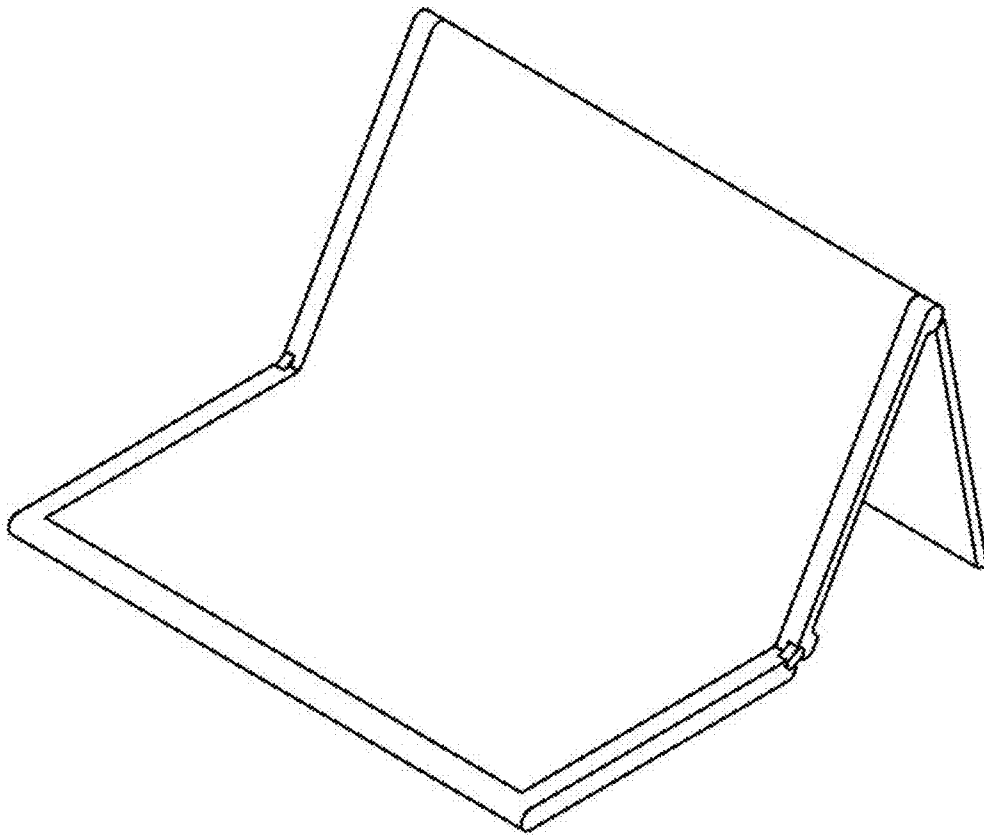
1.1



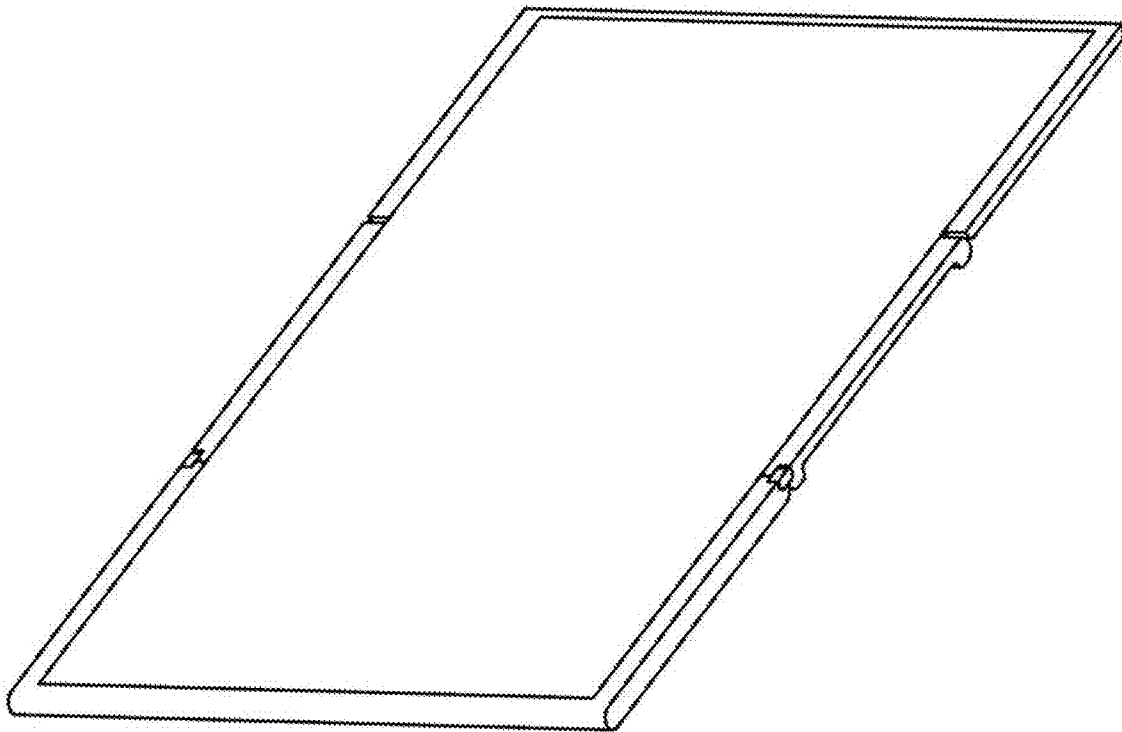
1.2



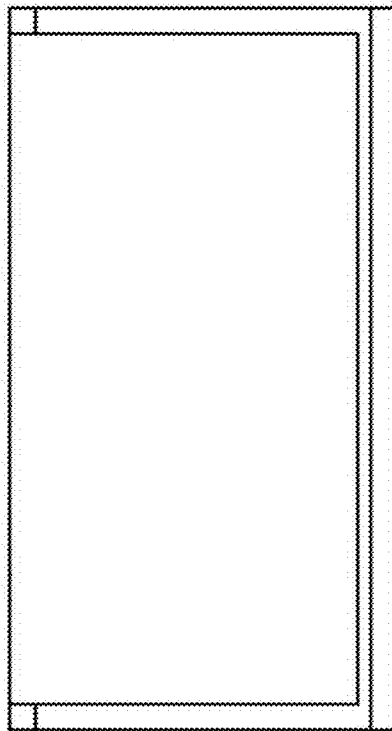
1.3



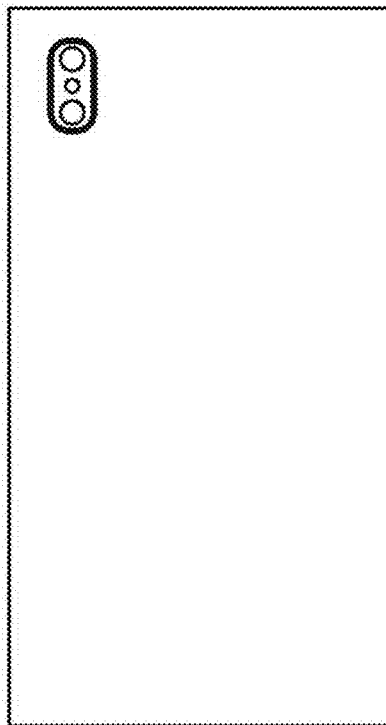
1.4



1.5



1.6



1.7



1.8



1.9



1.10

