



US0D1020413S

(12) **United States Design Patent**  
**Huang**

(10) **Patent No.:** **US D1,020,413 S**

(45) **Date of Patent:** **\*\* Apr. 2, 2024**

(54) **MOSS POLE**  
(71) Applicant: **Huiya Huang**, Guangdong (CN)  
(72) Inventor: **Huiya Huang**, Guangdong (CN)  
(\*\*) Term: **15 Years**  
(21) Appl. No.: **29/916,685**

8,516,743 B1 \* 8/2013 Giacomantonio ..... A01G 9/022  
47/62 A  
D854,386 S \* 7/2019 Bottari ..... A01G 13/0243  
D8/1  
10,863,679 B2 \* 12/2020 Tyink ..... A01G 9/249  
D930,189 S 9/2021 Ustach et al.  
11,297,783 B2 \* 4/2022 DeFoor ..... B32B 5/06  
D957,216 S 7/2022 Poutiainen et al.

(Continued)

(22) Filed: **Nov. 14, 2023**  
(51) **LOC (14) Cl.** ..... **08-01**  
(52) **U.S. Cl.**  
USPC ..... **D8/1**  
(58) **Field of Classification Search**  
USPC ..... D6/403; D8/1, 349, 354  
CPC ..... A01G 31/06; A01G 9/022; A01G 31/02;  
A01G 9/12; A01G 9/122  
See application file for complete search history.

**OTHER PUBLICATIONS**

“EOX 4 Pcs 24 Inch Plastic Moss Pole for Plants Monstera”, Apr. 15, 2022, Amazon.ca, site visited Dec. 2, 2023: <https://www.amazon.ca/dp/B09TFJ1717> (Year: 2022).\*

(Continued)

*Primary Examiner* — Jack Reickel  
*Assistant Examiner* — Michael A Kervin  
(74) *Attorney, Agent, or Firm* — Xiaofang Zhong

(56) **References Cited**

**U.S. PATENT DOCUMENTS**

4,075,785 A \* 2/1978 Jones ..... A01G 31/06  
47/62 A  
4,164,094 A \* 8/1979 Kempka ..... A01G 9/122  
D8/349  
4,291,499 A \* 9/1981 Prewer ..... A01G 31/02  
47/84  
D262,350 S \* 12/1981 Vincent ..... 47/73  
4,454,684 A \* 6/1984 O’Hare ..... A01G 31/06  
47/59 R  
D282,788 S \* 3/1986 Svanberg ..... D8/1  
5,031,359 A \* 7/1991 Moffett, Jr. .... A01G 9/022  
47/82  
5,363,594 A \* 11/1994 Davis ..... A01G 9/022  
47/82  
D368,835 S \* 4/1996 Weber ..... D8/1  
6,678,997 B1 \* 1/2004 Howe ..... A01G 9/028  
47/65.5  
6,755,513 B1 \* 6/2004 Silverbrook ..... B41J 2/145  
347/85  
D666,429 S \* 9/2012 Dyda ..... D6/403

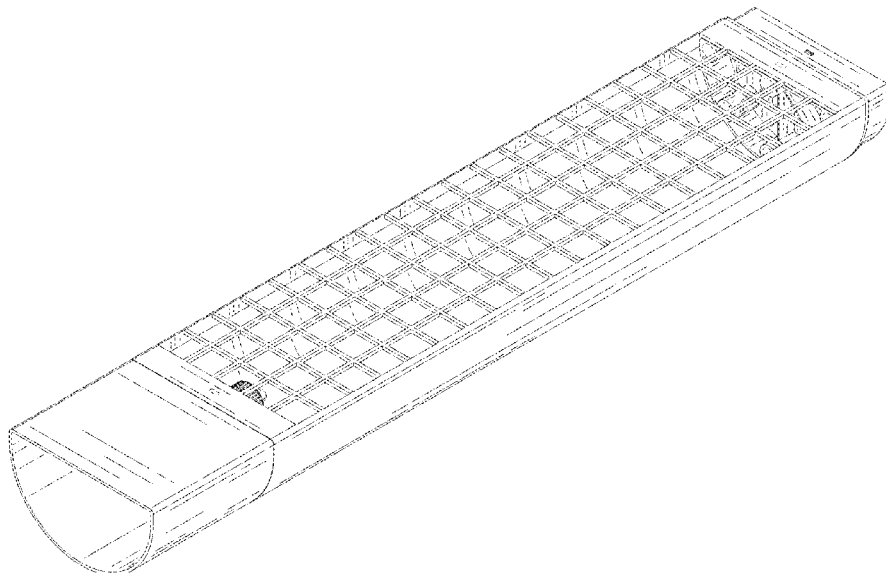
(57) **CLAIM**

The ornamental design for a moss pole, as shown and described.

**DESCRIPTION**

FIG. 1 is a front, left and top perspective view of a moss pole showing my new design;  
FIG. 2 is a rear, right and bottom perspective view thereof;  
FIG. 3 is a front, right and bottom perspective view thereof;  
FIG. 4 is a top view thereof;  
FIG. 5 is a bottom view thereof;  
FIG. 6 is a right view thereof;  
FIG. 7 is a left view thereof;  
FIG. 8 is a front view thereof; and,  
FIG. 9 is a rear view thereof.  
The broken lines illustrate portions of the article that form no part of the claimed design.

**1 Claim, 9 Drawing Sheets**



(56)

**References Cited**

U.S. PATENT DOCUMENTS

D989,355 S 6/2023 Picciolo et al.  
11,723,328 B2\* 8/2023 Matera ..... A01G 31/06  
47/59 R  
2006/0277824 A1\* 12/2006 Clair ..... A47G 7/047  
248/318  
2011/0226914 A1\* 9/2011 Fleming ..... B65D 33/007  
29/428  
2011/0281082 A1\* 11/2011 Wilson ..... B29C 66/61  
428/178  
2013/0219785 A1\* 8/2013 Ritchotte ..... A01G 9/12  
47/45  
2016/0029581 A1\* 2/2016 Martin ..... A01G 31/02  
47/62 A  
2018/0084739 A1\* 3/2018 Bottari ..... A01G 13/0243  
2019/0269079 A1\* 9/2019 Klein ..... F16B 7/0433  
2022/0071104 A1\* 3/2022 Cheng ..... F16B 7/182  
2023/0309463 A1\* 10/2023 Chen ..... A01G 9/12  
47/46

OTHER PUBLICATIONS

“Timpfee 4 Pcs Moss Pole”, Jul. 5, 2022, Amazon.ca, site visited Dec. 2, 2023: <https://www.amazon.ca/dp/B0B5V1KT9M>(Year: 2022).\*  
“Moss Pole D Design”, Oct. 17, 2022, Amazon.ca, site visited Dec. 2, 2023: <https://cults3d.com/en/3d-model/various/moss-pole-d-design> (Year: 2022).\*

\* cited by examiner

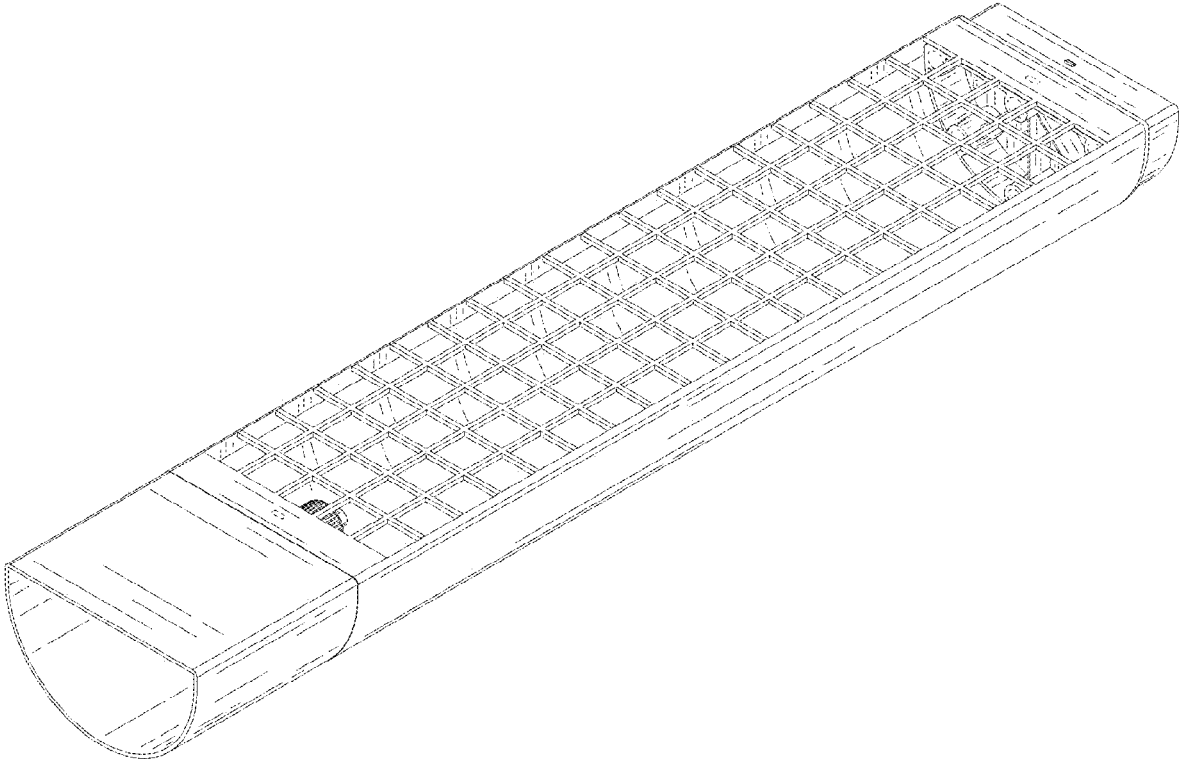


FIG. 1

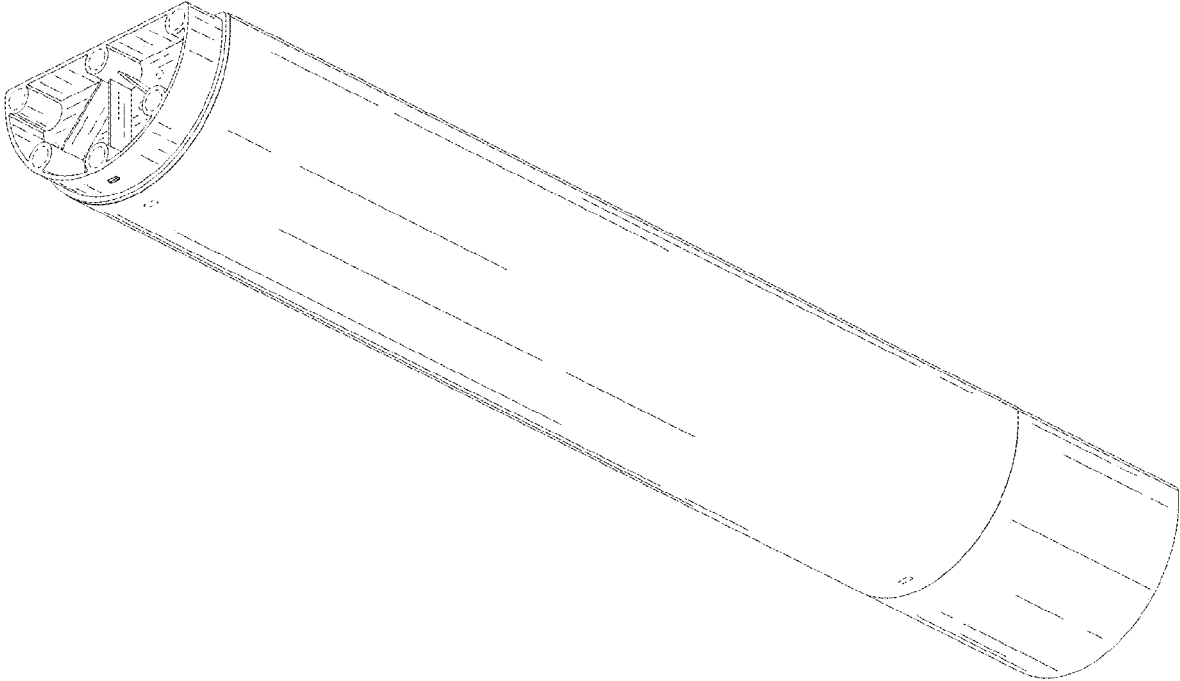


FIG. 2

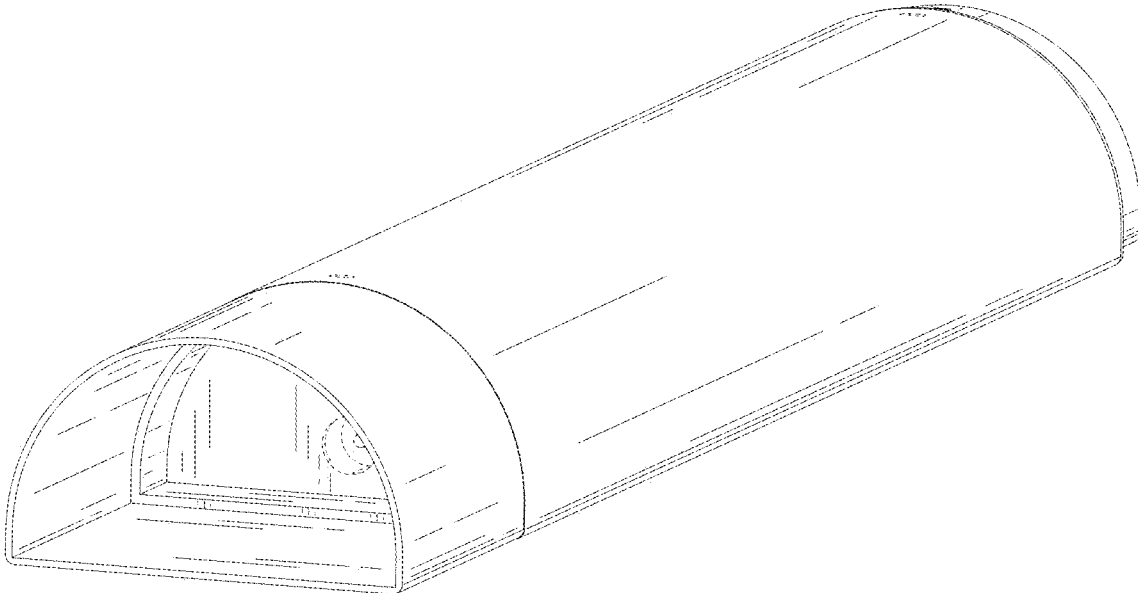


FIG. 3

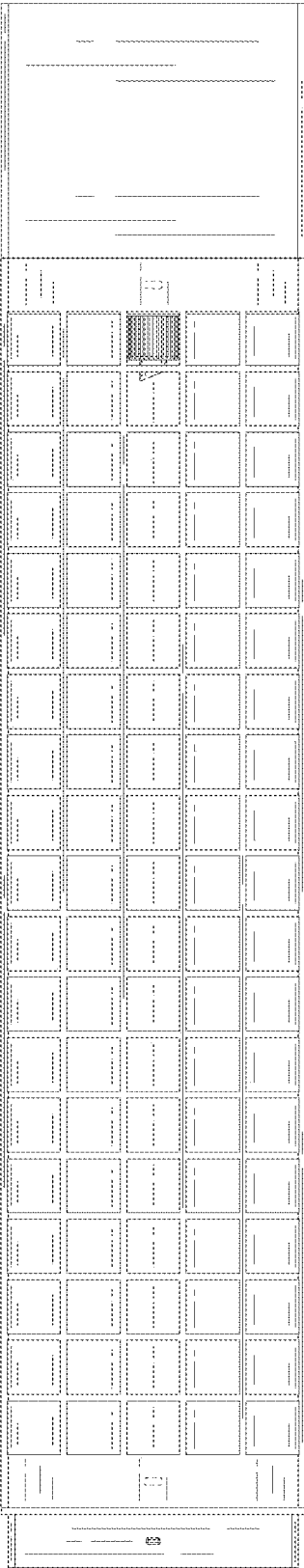


FIG. 4

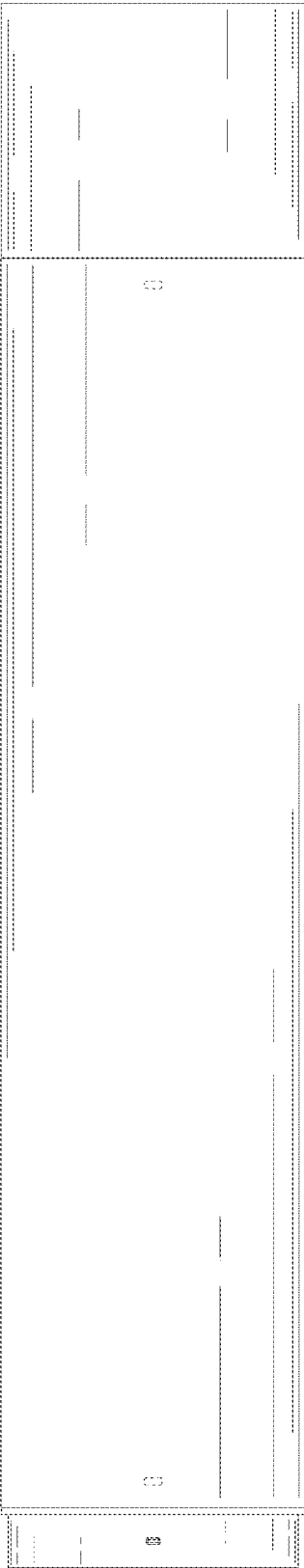


FIG. 5

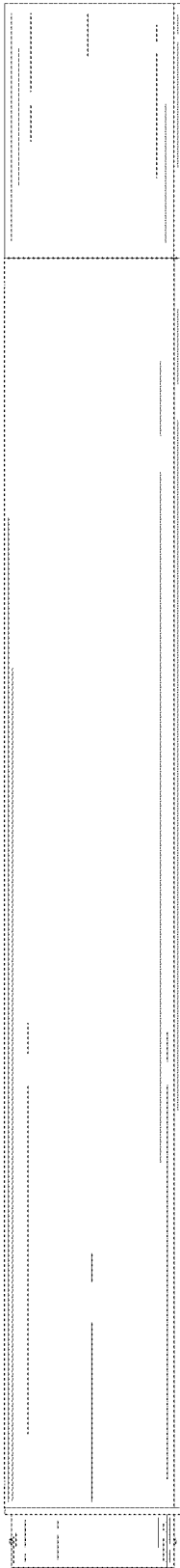


FIG. 6



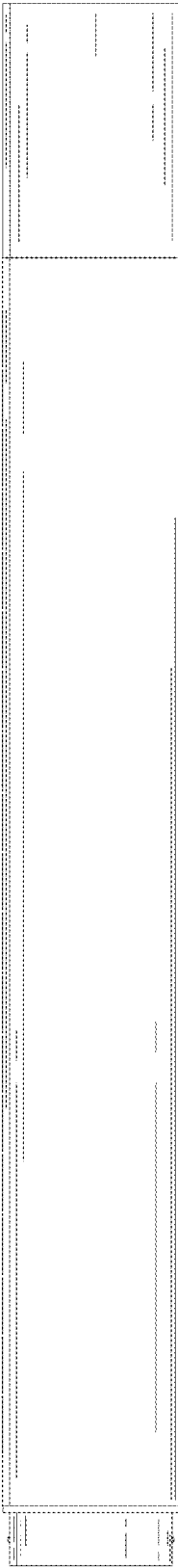


FIG. 7

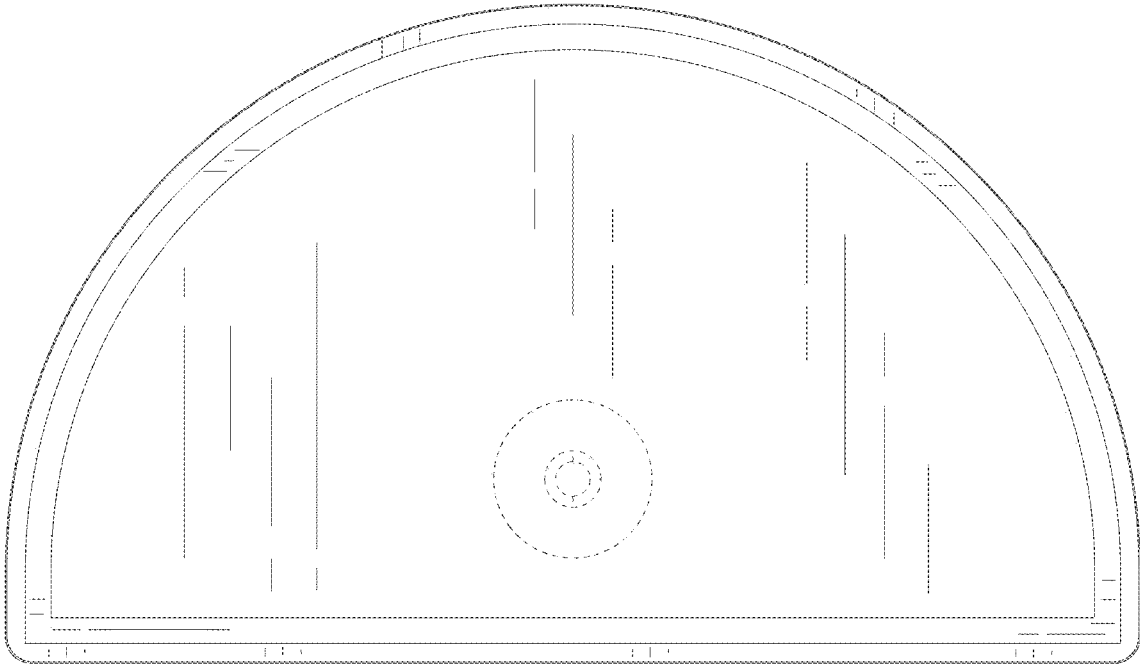


FIG. 8

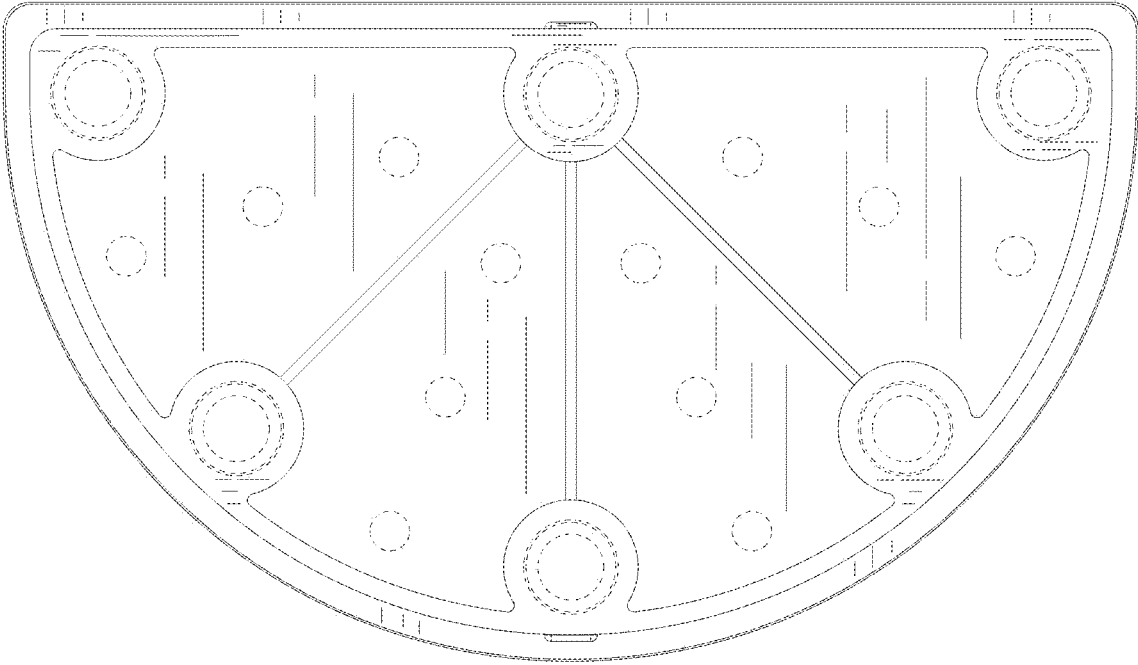


FIG. 9