



US00D511501S

(12) **United States Design Patent** (10) **Patent No.:** **US D511,501 S**
Lee et al. (45) **Date of Patent:** **** Nov. 15, 2005**

(54) **DVI CONNECTOR**

(75) Inventors: **Noel Lee**, Las Vegas, NV (US);
Kendrew Lee, Fremont, CA (US)

(73) Assignee: **Monster Cable Products, Inc.**,
Brisbane, CA (US)

(**) Term: **14 Years**

(21) Appl. No.: **29/212,606**

(22) Filed: **Sep. 3, 2004**

(51) **LOC (8) Cl.** **13-03**

(52) **U.S. Cl.** **D13/156; 13/147**

(58) **Field of Search** **D13/133, 146,**
D13/147, 154, 156; 439/353, 362, 372,
588, 606-610; D14/256, 433

(56) **References Cited**

U.S. PATENT DOCUMENTS

D406,819	S	*	3/1999	Taguchi	D13/154
6,203,341	B1	*	3/2001	Chen	439/186
D443,862	S	*	6/2001	Milan	D13/154
D463,373	S	*	9/2002	Lee	D13/147
6,821,140	B2	*	11/2004	Wu	439/362

* cited by examiner

Primary Examiner—Holly Baynham
Assistant Examiner—Cynthia M. Chin

(74) *Attorney, Agent, or Firm*—LaRiviere, Grubman & Payne, LLP

(57) **CLAIM**

The ornamental design for a DVI connector, as herein shown and described.

DESCRIPTION

A portion of the disclosure of this design patent document contains material to which a claim of copyright protection is made. The copyright owner has no objection to the facsimile reproduction of the patent document or the patent disclosure as it appears in the United States Patent and Trademark Office file or records, but reserves all other copyrights.

FIG. 1 is a perspective view of a DVI connector, in accordance with the present invention.

FIG. 2 is a top view of a DVI connector, in accordance with the present invention.

FIG. 3 is a bottom view of a DVI connector, in accordance with the present invention.

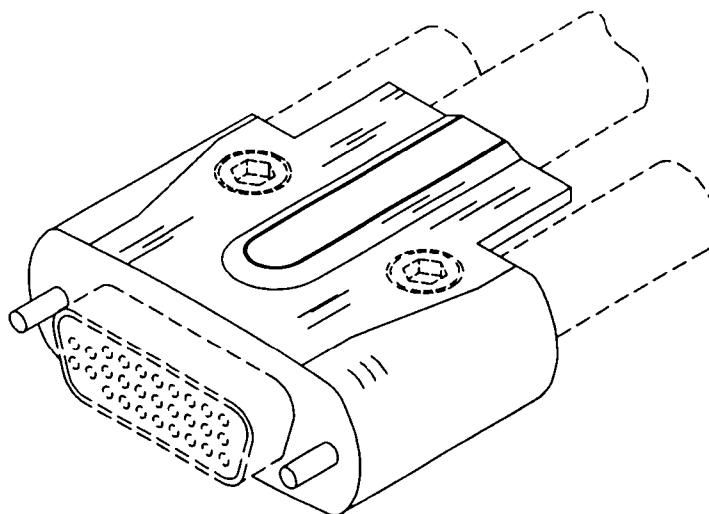
FIG. 4 is a side view, of a DVI connector, in accordance with the present invention.

FIG. 5 is an opposing side view of a DVI connector, in accordance with the present invention.

FIG. 6 is a front view, i.e., distal end view, of a DVI connector, in accordance with the present invention; and, FIG. 7 is a rear view, i.e., proximal end view, of a DVI connector, in accordance with the present invention.

Broken lines shown in any of the foregoing figures represent the environment only and do not constitute any part of the invention.

1 Claim, 2 Drawing Sheets



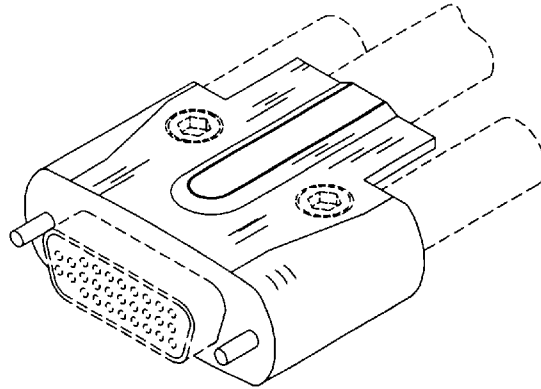


FIG. 1

© 2004 MONSTER CABLE PRODUCTS, INC.

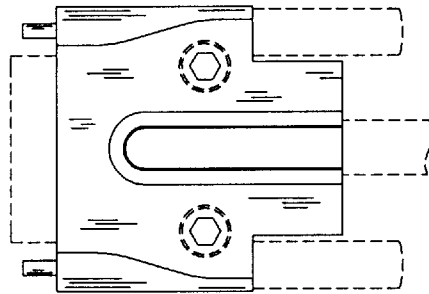


FIG. 2

© 2004 MONSTER CABLE PRODUCTS, INC.

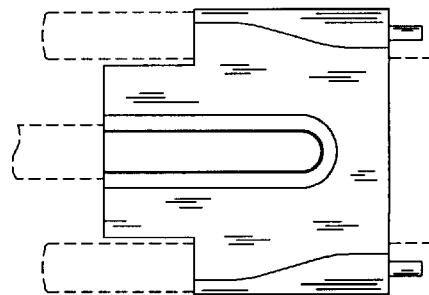


FIG. 3

© 2004 MONSTER CABLE PRODUCTS, INC.

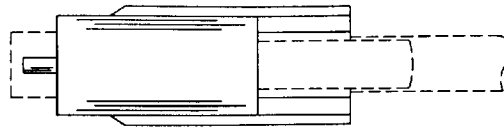


FIG. 4

© 2004 MONSTER CABLE PRODUCTS, INC.

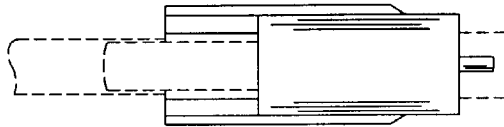


FIG. 5

© 2004 MONSTER CABLE PRODUCTS, INC.

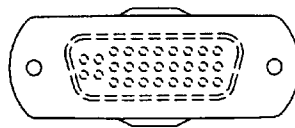


FIG. 6

© 2004 MONSTER CABLE PRODUCTS, INC.

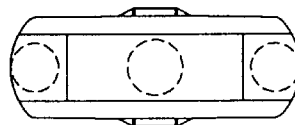


FIG. 7

© 2004 MONSTER CABLE PRODUCTS, INC.