



US00D406058S

United States Patent [19]

[11] Patent Number: **Des. 406,058**

Allmon

[45] Date of Patent: ****Feb. 23, 1999**

[54] **FANFOLD CLOSURE BOX**

3,232,469 2/1966 Piazza 229/4.5 X
4,712,725 12/1987 Moore 229/4.5 X

[76] Inventor: **Gary Allmon**, 8426 Broadview Rd.,
Broadview Heights, Ohio 44147

Primary Examiner—Ted Shooman
Assistant Examiner—Nanda Bondade
Attorney, Agent, or Firm—Joseph H. Taddeo

[**] Term: **14 Years**

[57] CLAIM

[21] Appl. No.: **83,831**

The ornamental design for a fanfold closure box, as shown and described.

[22] Filed: **Feb. 16, 1998**

Related U.S. Application Data

DESCRIPTION

[63] Continuation-in-part of Ser. No. 51,644, Mar. 14, 1996, Pat. No. Des. 390,782.

FIG. 1 is a top plan view of a fanfold closure box showing my new design, shown in an open condition;
FIG. 2 is an enlarged top plan view of a fanfold closure box, shown in a closed condition;
FIG. 3 is a bottom perspective of a fanfold closure box, with a bottom end in completely folded and closed condition;
FIG. 4 is a reduced perspective view of the fanfold closure box with the bottom end completely folded and closed, and a top end in partially folded condition; and,
FIG. 5 is a perspective view of the fanfold closure box with the bottom end and the top end in completely folded and closed condition.

[51] **LOC (6) Cl.** **09-03**

[52] **U.S. Cl.** **D9/433; D9/431**

[58] **Field of Search** D9/320, 341, 347,
D9/414, 428, 429, 431, 433, 500; 206/449,
812; 229/4.5, 116.1

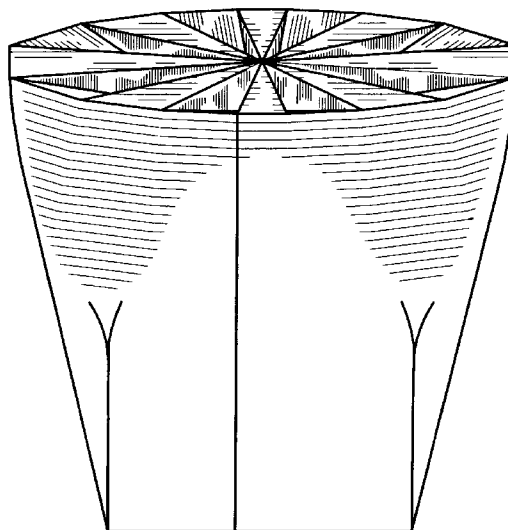
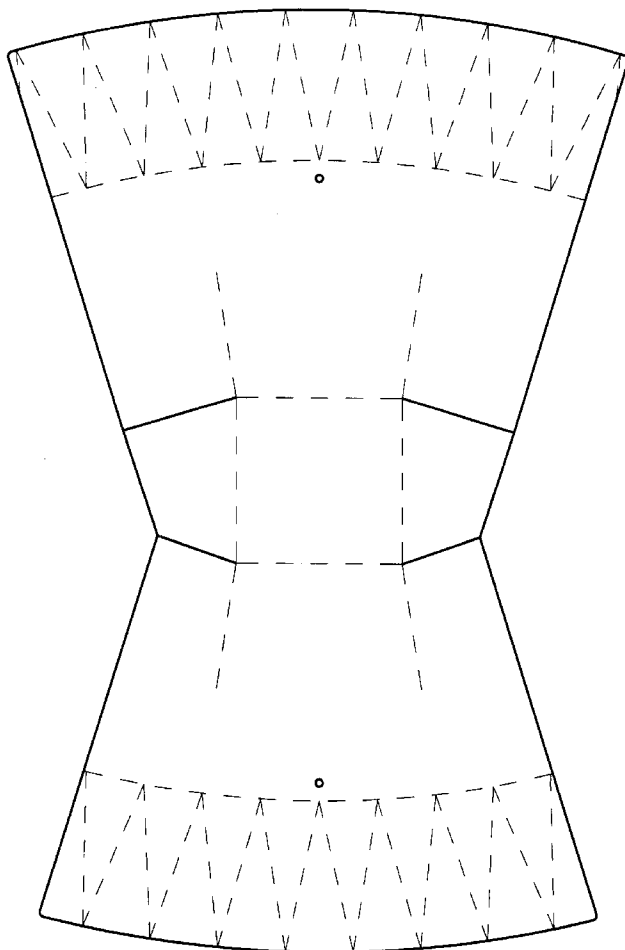
[56] References Cited

U.S. PATENT DOCUMENTS

D. 380,154 6/1997 Ryan 9/432
1,834,537 11/1931 McCune 229/4.5 X
2,014,477 9/1935 Lee 229/405
3,181,764 5/1965 Lowry 229/116.1

The broken lines shown on FIG. 1 represent fold lines.

1 Claim, 4 Drawing Sheets



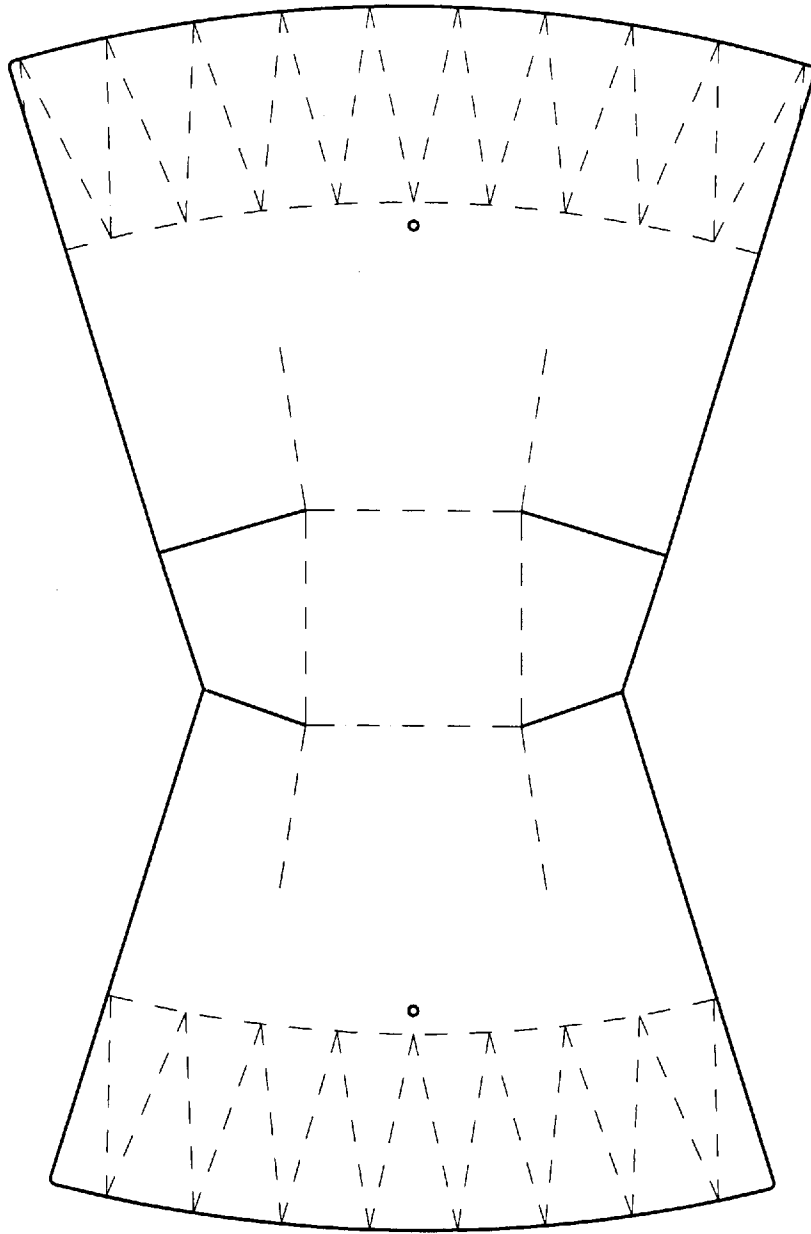


FIG. 1

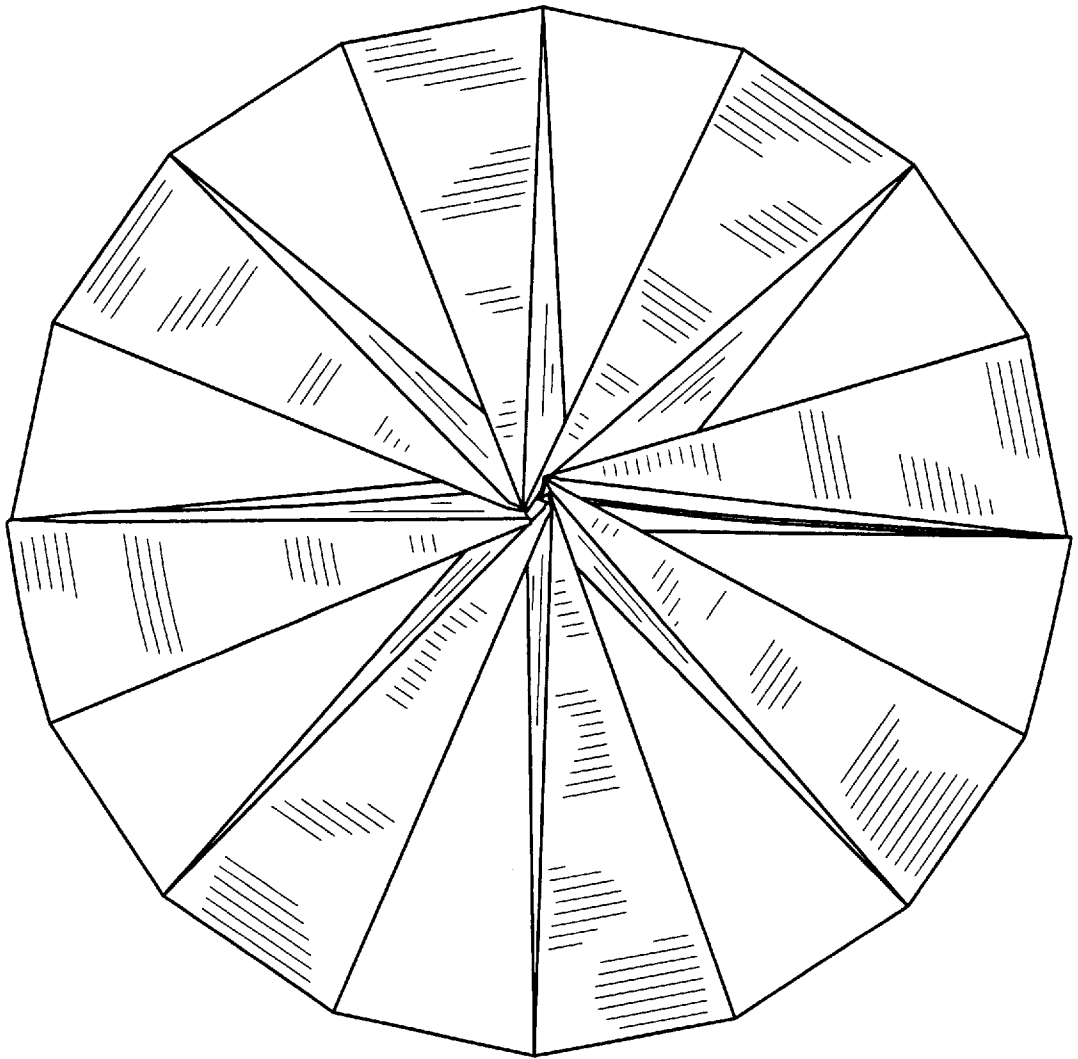


FIG. 2

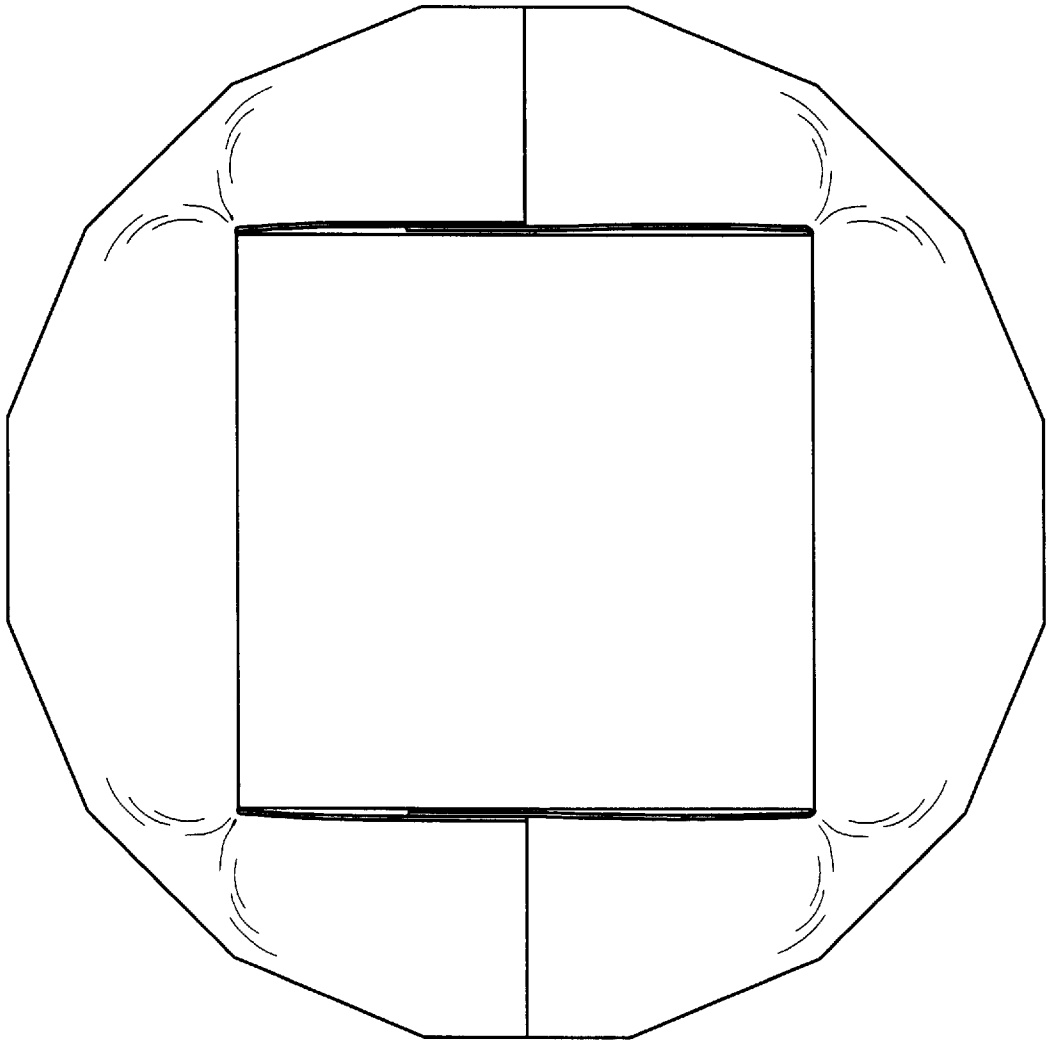


FIG. 3

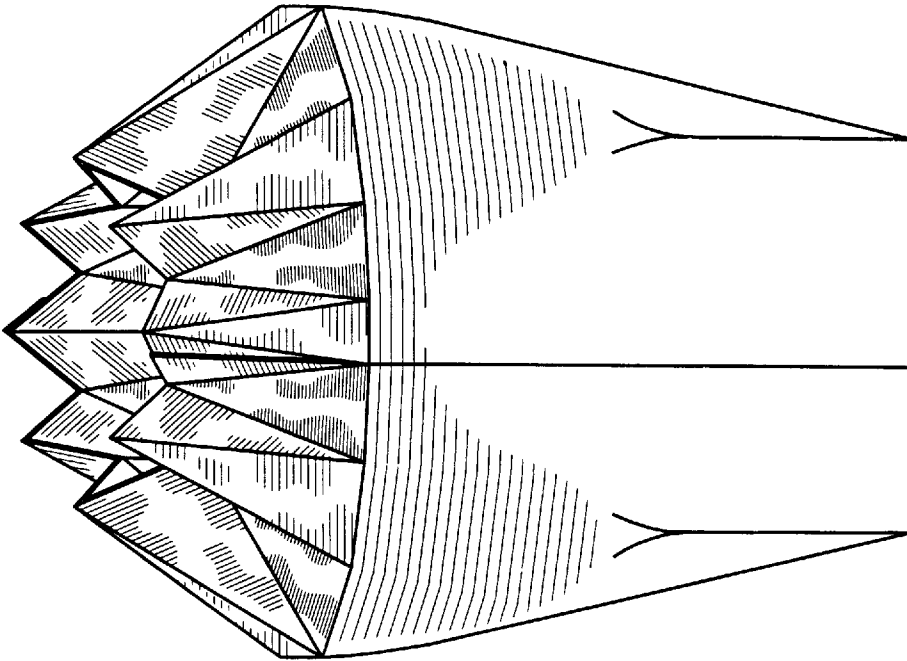


FIG. 4

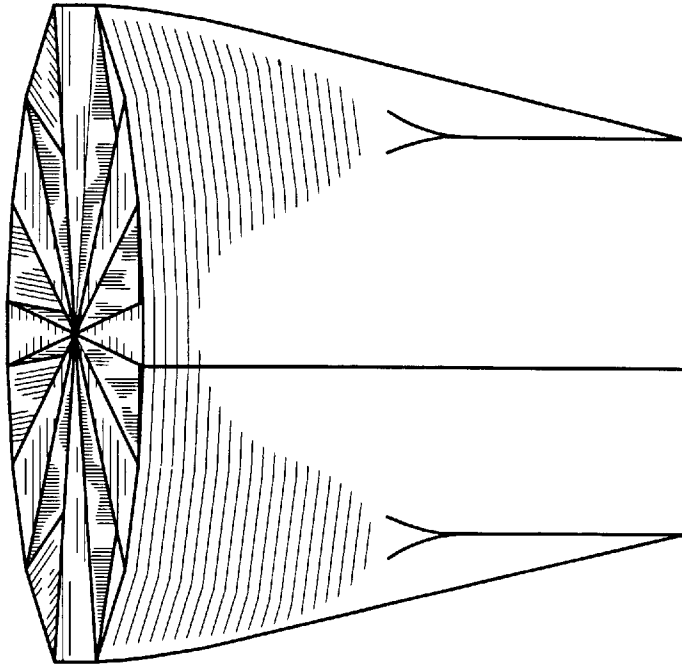


FIG. 5