



US00D873766S

(12) **United States Design Patent**  
**Anséhn et al.**

(10) **Patent No.:** **US D873,766 S**

(45) **Date of Patent:** **\*\* Jan. 28, 2020**

(54) **BATTERY**

(71) Applicant: **PROFOTO AKTIEBOLAG,**  
Sundbyberg (SE)

(72) Inventors: **Johan Anséhn,** Stockholm (SE); **Emil Stenbacka,** Stockholm (SE)

(\*\*) Term: **15 Years**

(21) Appl. No.: **35/504,549**

(22) Filed: **Sep. 18, 2017**

(80) **Hague Agreement Data**

Int. Filing Date: **Sep. 18, 2017**

Int. Reg. No.: **DM/099898**

Int. Reg. Date: **Sep. 18, 2017**

Int. Reg. Pub. Date: **Mar. 9, 2018**

(51) **LOC (12) Cl.** ..... **13-02**

(52) **U.S. Cl.**  
USPC ..... **D13/103**

(58) **Field of Classification Search**  
USPC ..... D13/103, 106, 107; 320/104; 361/736;  
429/159

CPC ..... H01M 2/1072  
See application file for complete search history.

(56) **References Cited**

**U.S. PATENT DOCUMENTS**

D580,349 S *	11/2008	Haydvoegel	.....	D13/103
D650,737 S *	12/2011	Hamilton	.....	D13/103
D652,377 S *	1/2012	Butts	.....	D13/103
D666,144 S *	8/2012	Brand	.....	D13/103
D682,196 S *	5/2013	Leung	.....	D13/103
D708,129 S *	7/2014	Houghton	.....	D13/103
D708,571 S *	7/2014	Ji	.....	D13/103

D716,725 S *	11/2014	Kaminsky	.....	D13/103
D717,728 S *	11/2014	Krauss	.....	D13/103
D733,043 S *	6/2015	Hasbrook	.....	D13/103
D764,405 S *	8/2016	Herr	.....	D13/103
D768,072 S *	10/2016	Kim	.....	D13/103
D768,073 S *	10/2016	Kim	.....	D13/103
D791,070 S *	7/2017	Son	.....	D13/103
D801,916 S *	11/2017	Altenburger	.....	D13/103
D806,015 S *	12/2017	Park	.....	D13/103
D811,994 S *	3/2018	Hare	.....	D13/103
D811,996 S *	3/2018	Genoa	.....	D13/103
D818,948 S *	5/2018	Waldron	.....	D13/103
D819,562 S *	6/2018	Waldron	.....	D13/103
D826,150 S *	8/2018	Cayon	.....	D13/103
D826,847 S *	8/2018	Kim	.....	D13/103
D829,646 S *	10/2018	Tse	.....	D13/103
D830,966 S *	10/2018	Siminoff	.....	D13/103

\* cited by examiner

*Primary Examiner* — Rhea Shields

(74) *Attorney, Agent, or Firm* — Cowan, Liebowitz & Latman, P.C.

(57) **CLAIM**

The ornamental design for a battery, as shown and described.

**DESCRIPTION**

1. Battery

**1.1** is a perspective view;

**1.2** is a bottom view;

**1.3** is a top view;

**1.4** is a left side view;

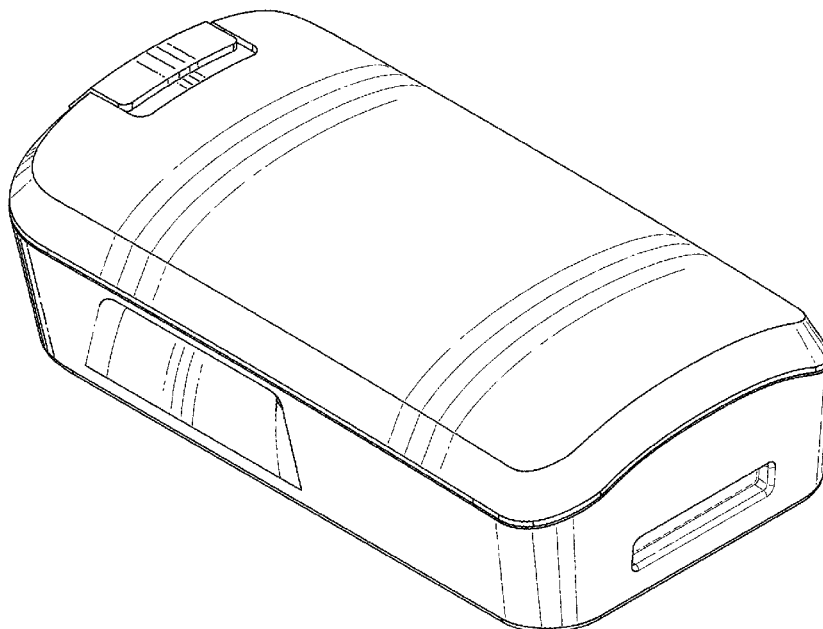
**1.5** is a right side view;

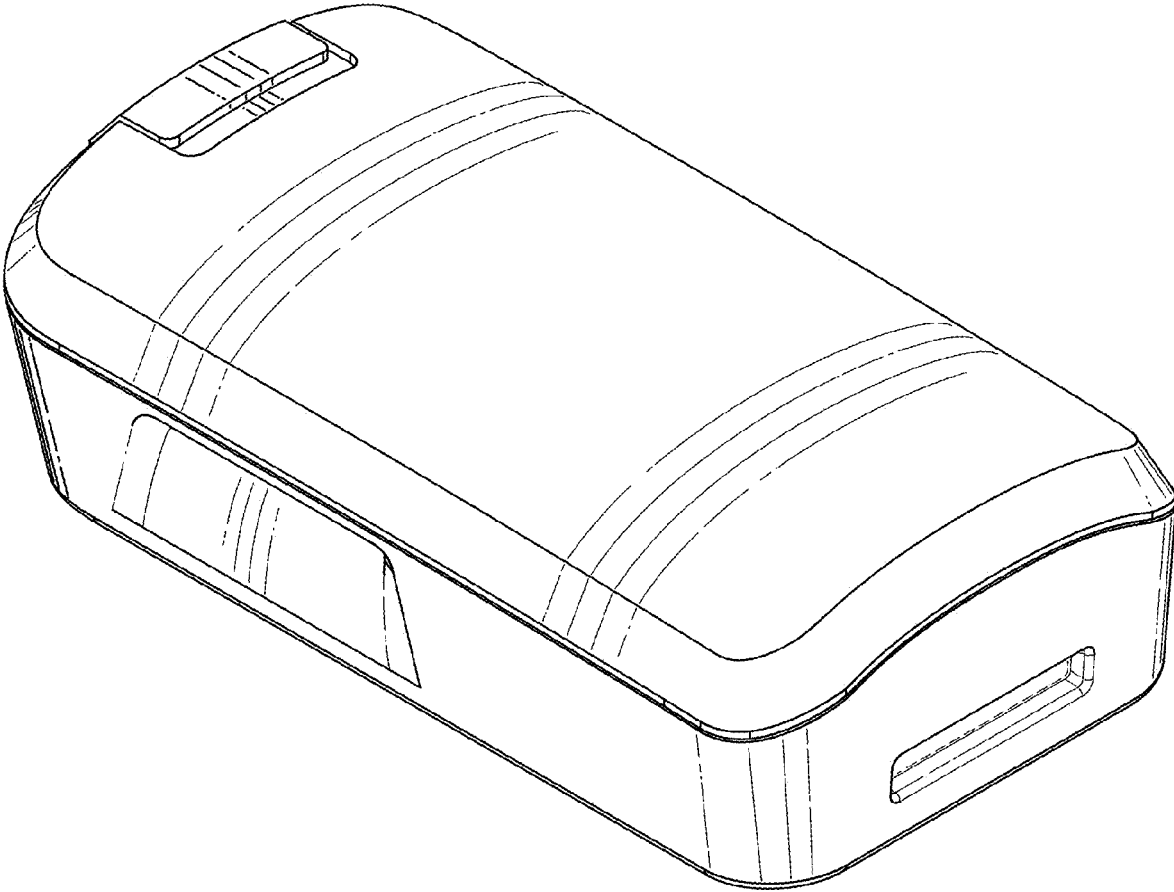
**1.6** is a front view; and

**1.7** is a back view.

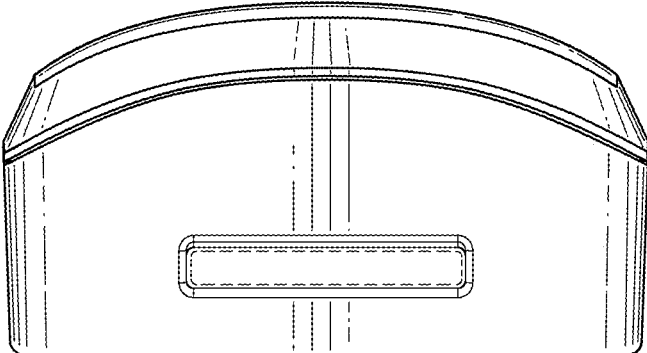
In the drawings, the broken lines are for the purpose of illustrating environment only and form no part of the claimed design.

**1 Claim, 7 Drawing Sheets**

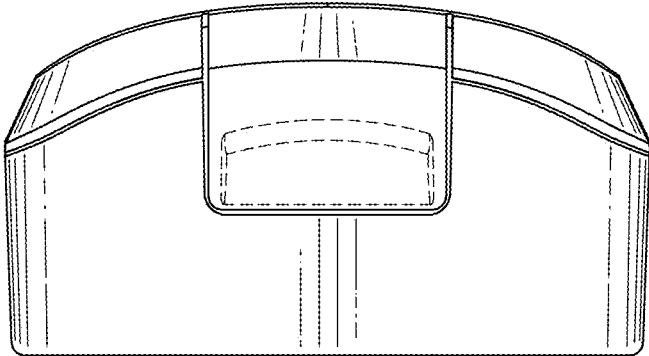




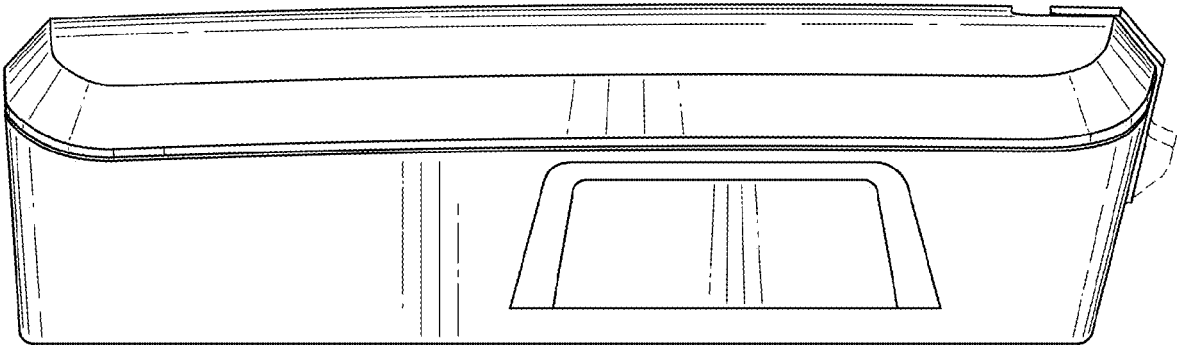
1.1



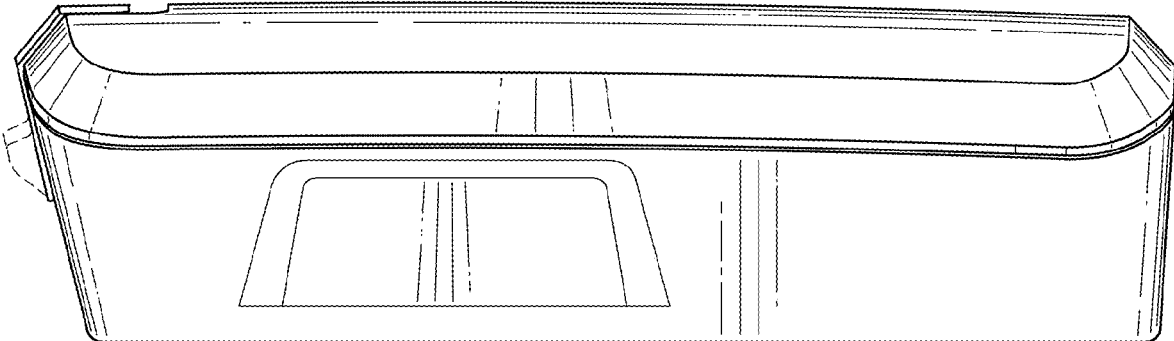
1.2



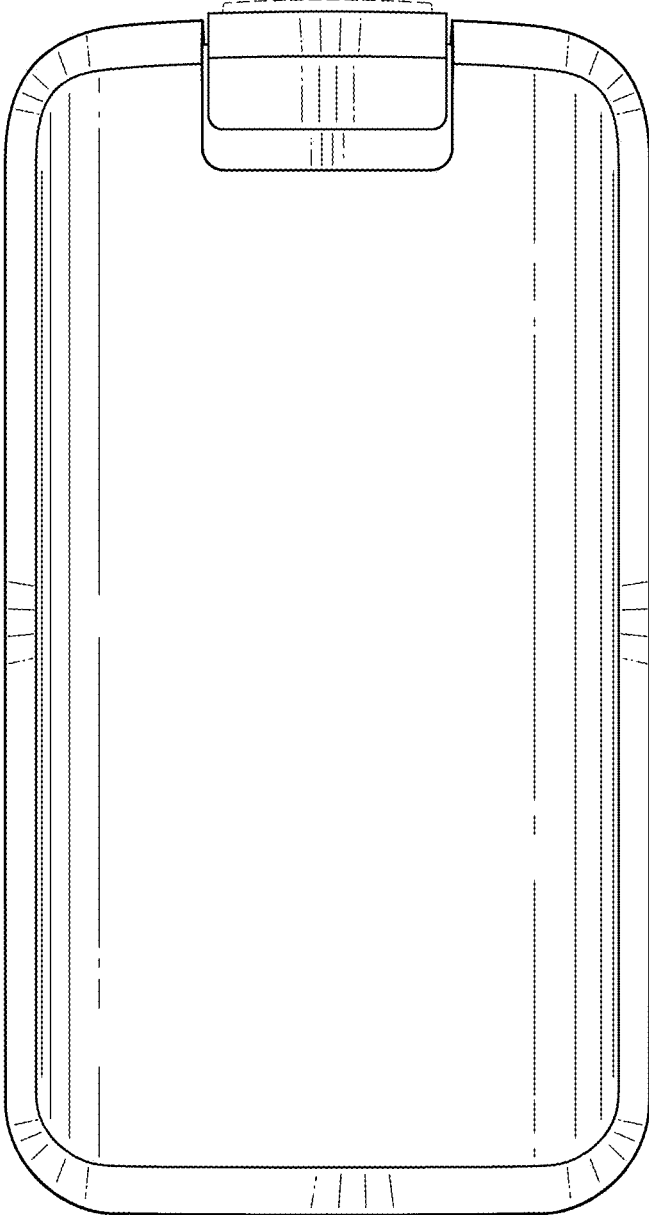
1.3



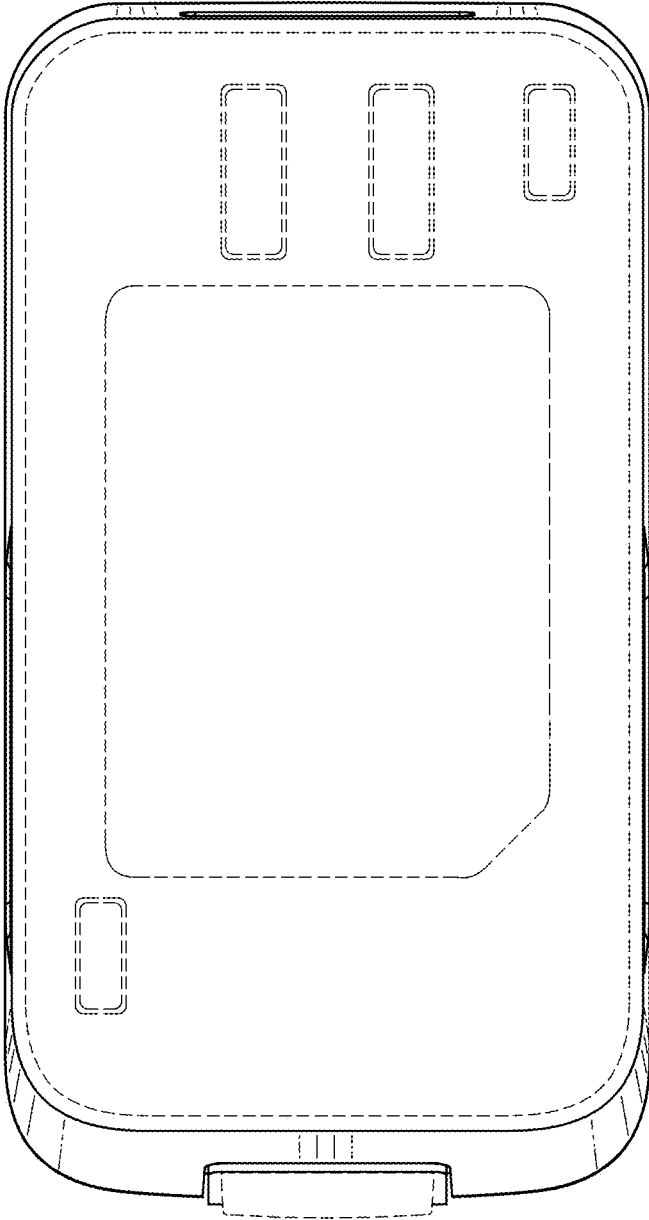
1.4



1.5



1.6



1.7