



US00D907918S

(12) **United States Design Patent**
Vollmer et al.

(10) **Patent No.:** **US D907,918 S**

(45) **Date of Patent:** **** Jan. 19, 2021**

(54) **FRAMED SIDE BAND INTERNAL RAMP
CORRUGATED CONTAINER**

| | | | |
|-------------------|--------|----------------|-------------------------|
| D872,996 S * | 1/2020 | Caldwell | D3/272 |
| D872,997 S * | 1/2020 | Vollmer | D3/272 |
| D880,856 S * | 4/2020 | Vollmer | D3/272 |
| 2011/0168593 A1 * | 7/2011 | Neufeld | B65D 19/0012 206/386 |

(71) Applicants: **Eric Vollmer**, Springdale, AR (US);
Christopher DeMoss, Springdale, AR (US)

(72) Inventors: **Eric Vollmer**, Springdale, AR (US);
Christopher DeMoss, Springdale, AR (US)

(**) Term: **15 Years**

(21) Appl. No.: **29/687,803**

(22) Filed: **Apr. 16, 2019**

(51) **LOC (13) Cl.** **03-01**

(52) **U.S. Cl.**
USPC **D3/272**

(58) **Field of Classification Search**
USPC D3/272, 273, 279, 289, 321, 902;
D25/35, 33
CPC B65D 88/30; B65D 88/00; B65D 88/10;
B65D 88/26; B65D 88/542; H04L
2209/56; H05K 7/20645
See application file for complete search history.

OTHER PUBLICATIONS

Hugg & Hall, "Mobile Storage", Accessed Sep. 17, 2020. (<https://www.hugghallmobilestorage.com/products/>) (Year: 2020).*
SketchFab, "Stormbox 10ft rev 4", Published May 26, 2017. (<https://sketchfab.com/3d-models/stormbox-10ft-rev-4-5d46df3ce5fc476b851fb1940a08b848>) (Year: 2017).*
Skylocker, "Benefits", Accessed Sep. 17, 2020. (<https://www.skylocker.com/benefits/>) (Year: 2020).*

* cited by examiner

Primary Examiner — April Rivas
(74) *Attorney, Agent, or Firm* — Keisling & Pieper PLC;
David B. Pieper; Trent C. Keisling

(57) **CLAIM**

The ornamental design for a framed side band internal ramp corrugated container, as shown and described.

(56) **References Cited**

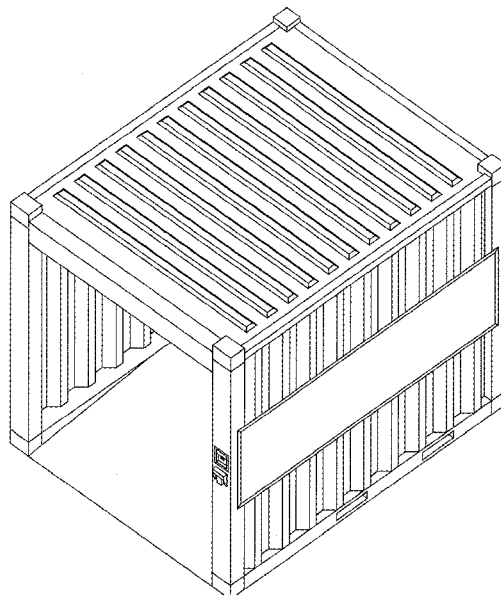
DESCRIPTION

U.S. PATENT DOCUMENTS

| | | | |
|----------------|---------|----------------|------------------------|
| D213,156 S * | 1/1969 | Detanger | D3/272 |
| 4,854,460 A * | 8/1989 | Josephs | B65D 88/121 220/1.5 |
| D336,158 S * | 6/1993 | Bunger | D3/201 |
| D370,780 S * | 6/1996 | Bunger | D3/272 |
| 6,811,048 B2 * | 11/2004 | Lau | B65D 88/005 206/511 |
| D502,547 S * | 3/2005 | Hawes | D25/33 |
| D647,700 S * | 11/2011 | Sayag | D3/272 |
| D764,796 S * | 8/2016 | Urrea | D3/272 |
| D802,302 S * | 11/2017 | Vollmer | D3/272 |

FIG. 1 is a perspective view of a framed side band internal ramp corrugated container showing my new design;
FIG. 2 is another perspective view thereof;
FIG. 3 is a top view thereof;
FIG. 4 is a front view thereof; and,
FIG. 5 is a right side view thereof;
FIG. 6 is a back view thereof;
FIG. 7 is a right side view thereof; and,
FIG. 8 is a bottom view thereof.

1 Claim, 8 Drawing Sheets



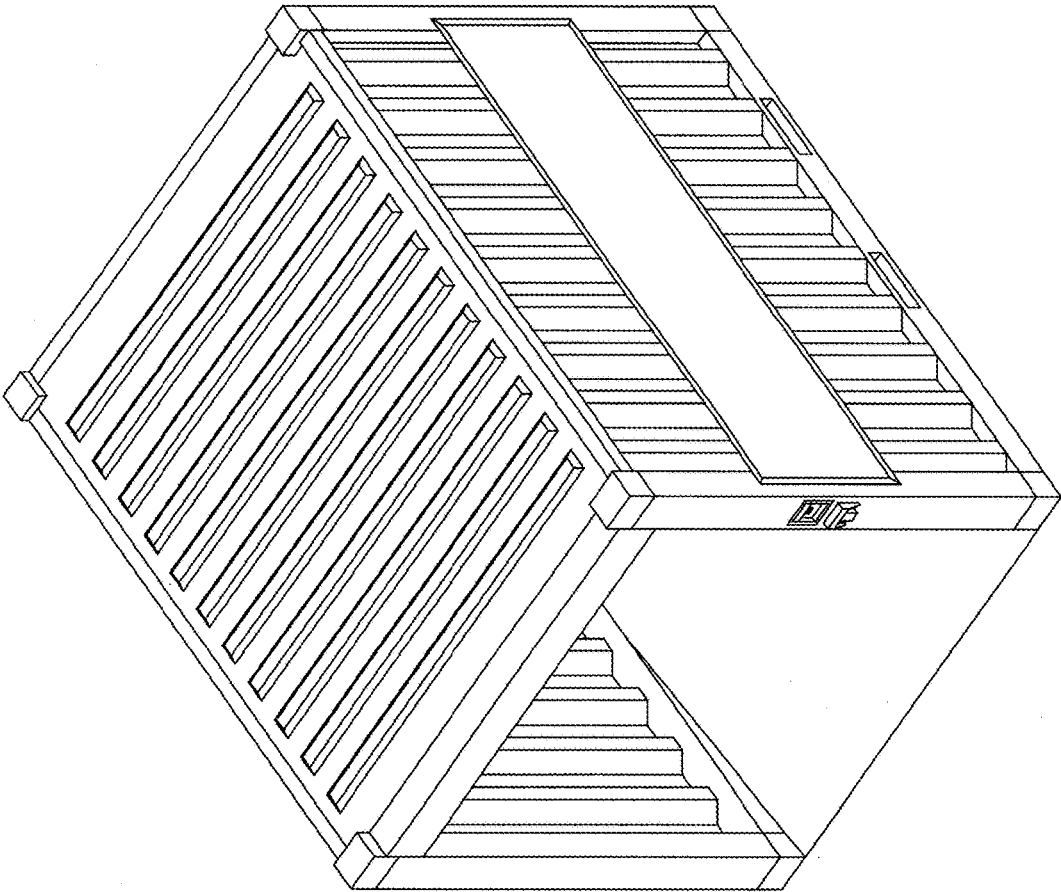


Fig. 1

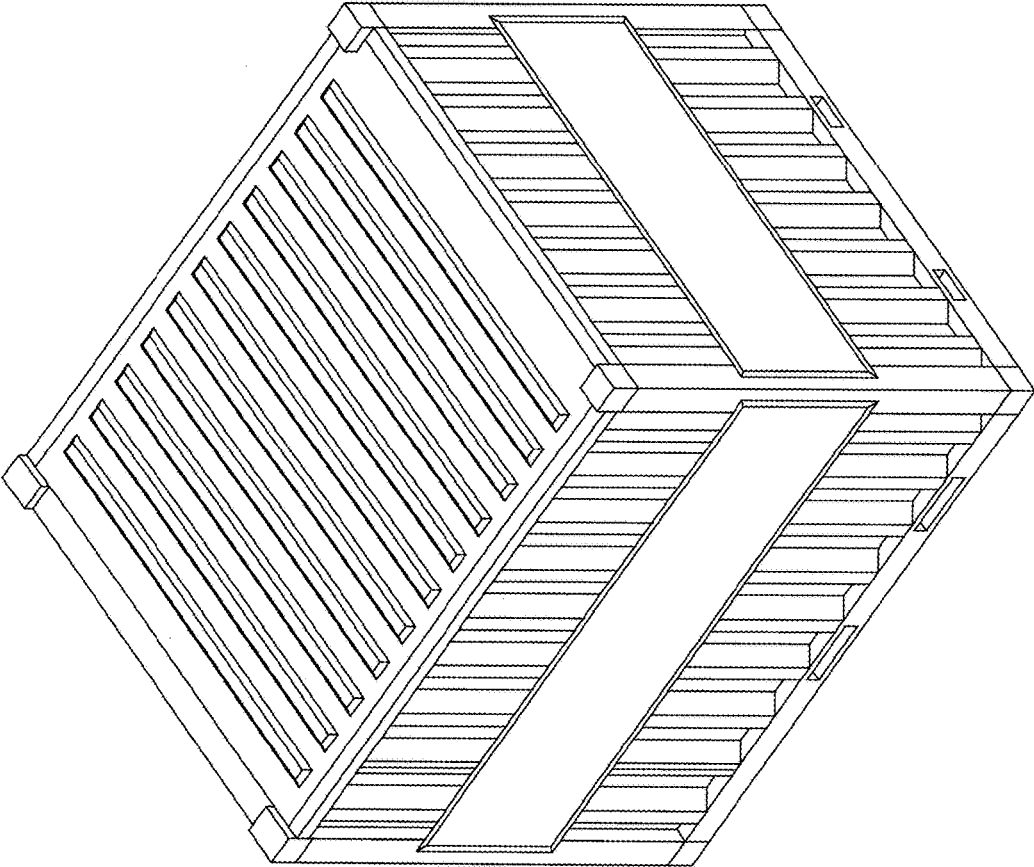


Fig. 2

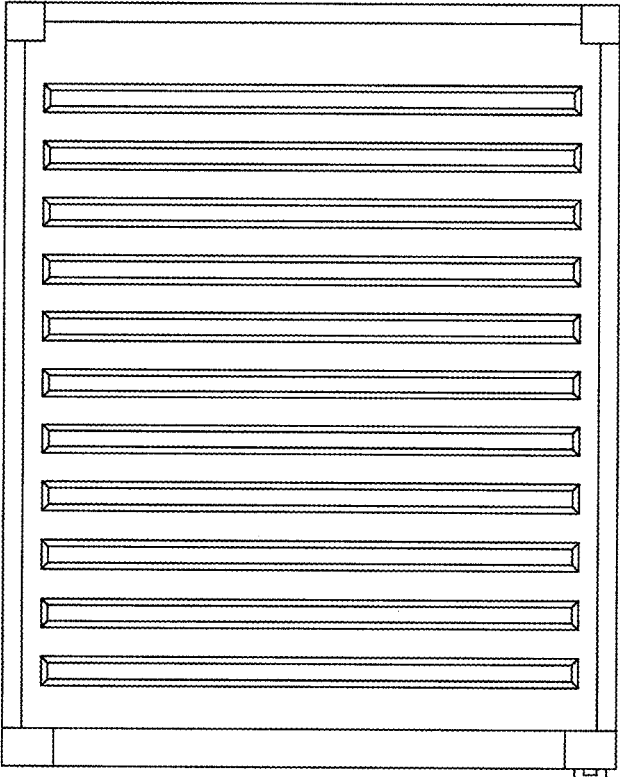


Fig. 3

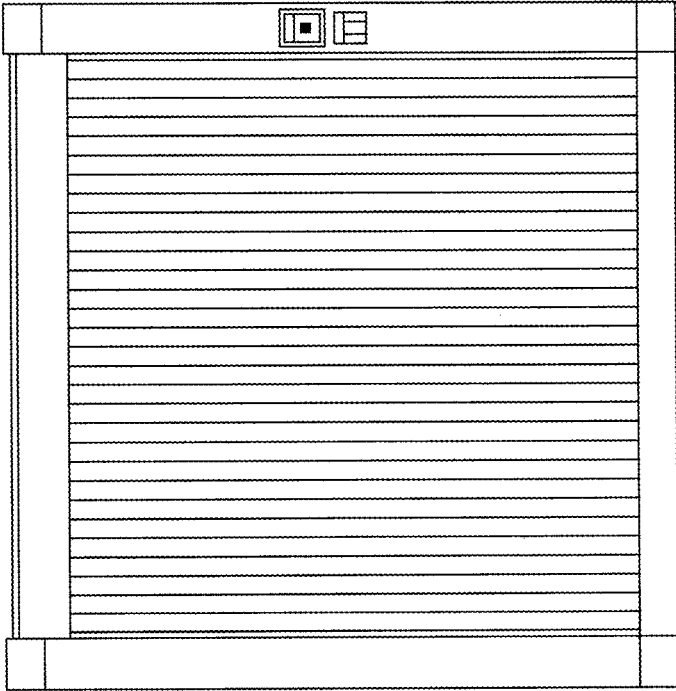


Fig. 4

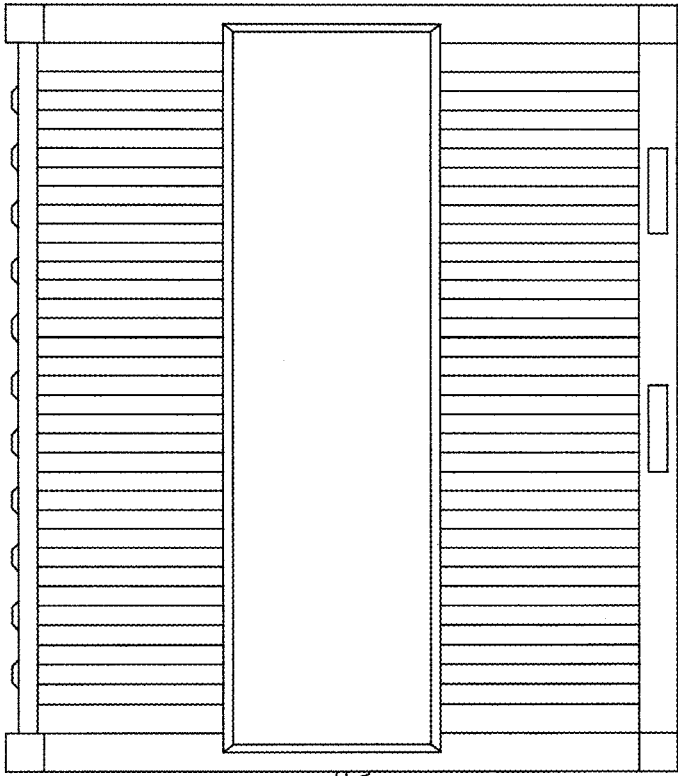


Fig. 5

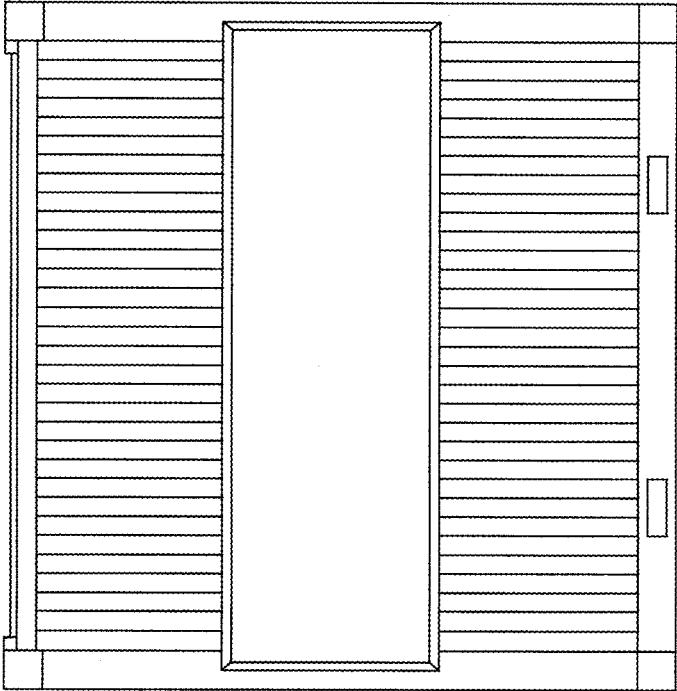


Fig. 6

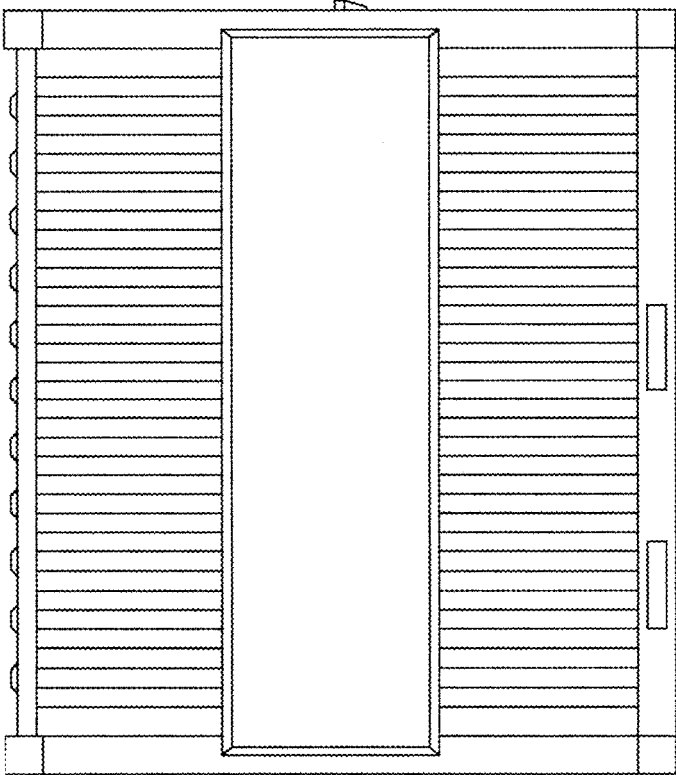


Fig. 7

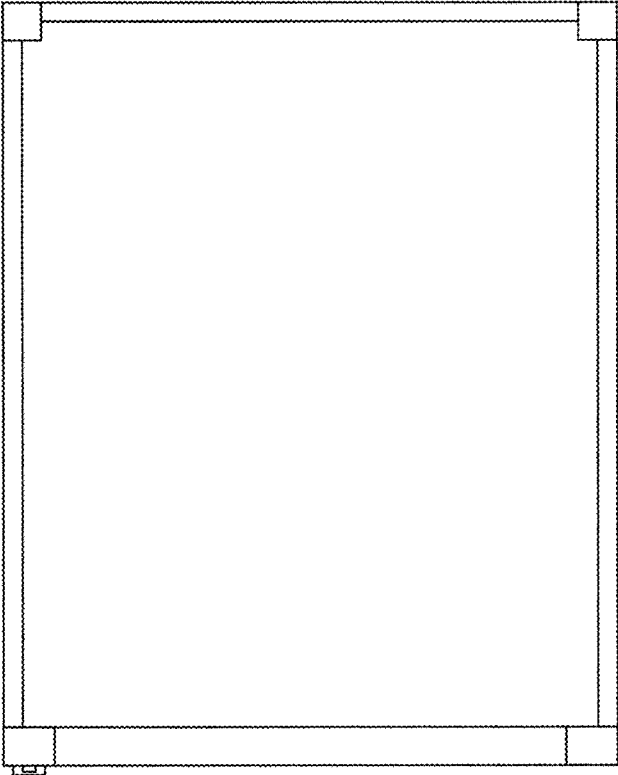


Fig. 8