

(19) World Intellectual Property Organization
International Bureau



(43) International Publication Date
23 June 2011 (23.06.2011)

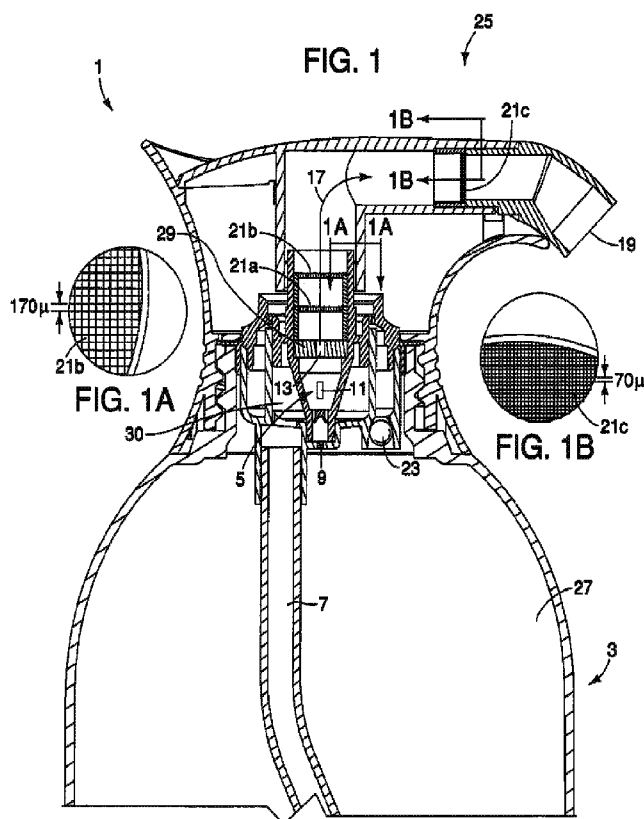
(10) International Publication Number
WO 2011/075657 A3

- (51) International Patent Classification:
A61Q 5/10 (2006.01) A61K 8/73 (2006.01)
A45D 19/02 (2006.01) A61Q 5/06 (2006.01)
B05B 11/04 (2006.01) A45D 34/00 (2006.01)
A61K 8/04 (2006.01) A61K 8/81 (2006.01)
- (21) International Application Number:
PCT/US2010/061060
- (22) International Filing Date:
17 December 2010 (17.12.2010)
- (25) Filing Language: English
- (26) Publication Language: English
- (30) Priority Data:
61/287,931 18 December 2009 (18.12.2009) US
- (71) Applicant (for all designated States except US): THE PROCTER & GAMBLE COMPANY [US/US]; One Procter & Gamble Plaza, Cincinnati, Ohio 45202 (US).

- (72) Inventors; and
(75) Inventors/Applicants (for US only): LANE, Brandon, Scott [US/US]; 550 Leo Drive, Hamilton, Ohio 45013 (US). VOHRA, Firoj [US/US]; 6563 Glenstone Way, Mason, Ohio 45040 (US). GALAZKA, Sebastian, Karol [US/US]; 9763 Dartmouth Way, Loveland, OH 45140 (US). NALLY, Karen, Michelle [US/US]; 519 Miami Ave., Milford, OH 45150 (US). AGOSTINO, Elizabeth, H. [US/US]; 799 Cedar Drive, Loveland, Ohio 45140 (US). KERR, George, Scott [US/US]; 5694 Brewer Road, Mason, Ohio 45040 (US). LEWIS, Robert, Drennan [US/US]; 8168 Spruce Run Drive, West Chester, Ohio 45069 (US). LUND, Mark, Thomas [US/US]; 4927 Tillinghast Court, Mason, Ohio 45040 (US). MC-CONAUGHY, Shawn, David [US/US]; 5003 Shattuc Avenue, Cincinnati, Ohio 45208 (US). SMITH, Edward, Dewey, III [US/US]; 6880 Man-O-War Lane, Mason, Ohio 45040 (US). DONNER, Christopher, Gerald [US/US]; 7047 Lookout Court, Liberty Township, OH 45011 (US).

[Continued on next page]

(54) Title: FOAM OXIDATIVE HAIR COLORANT COMPOSITION



(57) Abstract: An oxidative hair colorant composition to be dispensed from a manually-actuable, non-aerosol dispenser as a foam. The oxidative hair colorant composition contains a foam stabilizing agent and is essentially free of surfactant.

WO 2011/075657 A3



(74) **Common Representative:** THE PROCTER & GAMBLE COMPANY; c/o Eileen L. Hughett, Global Patent Services, 299 East Sixth Street, Sycamore Building, 4th Floor, Cincinnati, Ohio 45202 (US).

(81) **Designated States** (unless otherwise indicated, for every kind of national protection available): AE, AG, AL, AM, AO, AT, AU, AZ, BA, BB, BG, BH, BR, BW, BY, BZ, CA, CH, CL, CN, CO, CR, CU, CZ, DE, DK, DM, DO, DZ, EC, EE, EG, ES, FI, GB, GD, GE, GH, GM, GT, HN, HR, HU, ID, IL, IN, IS, JP, KE, KG, KM, KN, KP, KR, KZ, LA, LC, LK, LR, LS, LT, LU, LY, MA, MD, ME, MG, MK, MN, MW, MX, MY, MZ, NA, NG, NI, NO, NZ, OM, PE, PG, PH, PL, PT, RO, RS, RU, SC, SD, SE, SG, SK, SL, SM, ST, SV, SY, TH, TJ, TM, TN, TR, TT, TZ, UA, UG, US, UZ, VC, VN, ZA, ZM, ZW.

(84) **Designated States** (unless otherwise indicated, for every kind of regional protection available): ARIPO (BW, GH,

GM, KE, LR, LS, MW, MZ, NA, SD, SL, SZ, TZ, UG, ZM, ZW), Eurasian (AM, AZ, BY, KG, KZ, MD, RU, TJ, TM), European (AL, AT, BE, BG, CH, CY, CZ, DE, DK, EE, ES, FI, FR, GB, GR, HR, HU, IE, IS, IT, LT, LU, LV, MC, MK, MT, NL, NO, PL, PT, RO, RS, SE, SI, SK, SM, TR), OAPI (BF, BJ, CF, CG, CI, CM, GA, GN, GQ, GW, ML, MR, NE, SN, TD, TG).

Published:

- with international search report (Art. 21(3))
- before the expiration of the time limit for amending the claims and to be republished in the event of receipt of amendments (Rule 48.2(h))

(88) **Date of publication of the international search report:**
19 January 2012

INTERNATIONAL SEARCH REPORT

International application No
PCT/US2010/061060

A. CLASSIFICATION OF SUBJECT MATTER
 INV. A61Q5/10 A45D19/02 B05B11/04 A61K8/04 A61K8/73
 A61Q5/06 A45D34/00 A61K8/81
 ADD.
 According to International Patent Classification (IPC) or to both national classification and IPC

B. FIELDS SEARCHED
 Minimum documentation searched (classification system followed by classification symbols)
 A61Q A45D B05B A61K

Documentation searched other than minimum documentation to the extent that such documents are included in the fields searched

Electronic data base consulted during the international search (name of data base and, where practical, search terms used)
 EPO-Internal

C. DOCUMENTS CONSIDERED TO BE RELEVANT

Category*	Citation of document, with indication, where appropriate, of the relevant passages	Relevant to claim No.
X	US 2005/222001 A1 (BAUMEISTER JAN [CH] ET AL) 6 October 2005 (2005-10-06) paragraphs [0012], [0067], [0085], [0106]; claim 1; examples 1-4 -----	1-4,6-11
Y	US 2006/054634 A1 (MEKATA SATOSHI [JP]) 16 March 2006 (2006-03-16) example 1 -----	1-4,6-11
Y	WO 2009/130461 A1 (LEAFGREEN LTD [GB]; LAIDLER KEITH [GB]) 29 October 2009 (2009-10-29) page 1, line 7; claims 11,31; figure 7 page 38, line 11 - page 41, line 15 page 49, lines 13-24 ----- -/--	1-4,6-11

Further documents are listed in the continuation of Box C.

See patent family annex.

* Special categories of cited documents :

<p>"A" document defining the general state of the art which is not considered to be of particular relevance</p> <p>"E" earlier document but published on or after the international filing date</p> <p>"L" document which may throw doubts on priority claim(s) or which is cited to establish the publication date of another citation or other special reason (as specified)</p> <p>"O" document referring to an oral disclosure, use, exhibition or other means</p> <p>"P" document published prior to the international filing date but later than the priority date claimed</p>	<p>"T" later document published after the international filing date or priority date and not in conflict with the application but cited to understand the principle or theory underlying the invention</p> <p>"X" document of particular relevance; the claimed invention cannot be considered novel or cannot be considered to involve an inventive step when the document is taken alone</p> <p>"Y" document of particular relevance; the claimed invention cannot be considered to involve an inventive step when the document is combined with one or more other such documents, such combination being obvious to a person skilled in the art.</p> <p>"&" document member of the same patent family</p>
--	--

Date of the actual completion of the international search 22 November 2011	Date of mailing of the international search report 01/12/2011
---	--

Name and mailing address of the ISA/ European Patent Office, P.B. 5818 Patentlaan 2 NL - 2280 HV Rijswijk Tel. (+31-70) 340-2040, Fax: (+31-70) 340-3016	Authorized officer Vayssié, Stéphane
--	---

INTERNATIONAL SEARCH REPORT

International application No
PCT/US2010/061060

C(Continuation). DOCUMENTS CONSIDERED TO BE RELEVANT		
Category*	Citation of document, with indication, where appropriate, of the relevant passages	Relevant to claim No.
X	US 6 106 578 A (JONES CHARLES ELWOOD [US]) 22 August 2000 (2000-08-22) column 3, lines 48-57 column 4, lines 5-15; example 3 -----	5
X	US 2004/213752 A1 (FUJINUMA HIROYUKI [JP] ET AL) 28 October 2004 (2004-10-28) cited in the application paragraph [0047]; table 5 -----	1-11
X	US 2008/087293 A1 (GLENN ROBERT WAYNE [GB] ET AL) 17 April 2008 (2008-04-17) claim 1; examples B,D -----	5
X	US 6 835 210 B1 (BARTOLONE JOHN BRIAN [US] ET AL) 28 December 2004 (2004-12-28) column 14, lines 18-21; table 4 -----	5

INTERNATIONAL SEARCH REPORT

International application No.
PCT/US2010/061060

Box No. II Observations where certain claims were found unsearchable (Continuation of item 2 of first sheet)

This international search report has not been established in respect of certain claims under Article 17(2)(a) for the following reasons:

1. Claims Nos.:
because they relate to subject matter not required to be searched by this Authority, namely:

2. Claims Nos.:
because they relate to parts of the international application that do not comply with the prescribed requirements to such an extent that no meaningful international search can be carried out, specifically:

3. Claims Nos.:
because they are dependent claims and are not drafted in accordance with the second and third sentences of Rule 6.4(a).

Box No. III Observations where unity of invention is lacking (Continuation of item 3 of first sheet)

This International Searching Authority found multiple inventions in this international application, as follows:

see additional sheet

1. As all required additional search fees were timely paid by the applicant, this international search report covers all searchable claims.

2. As all searchable claims could be searched without effort justifying an additional fees, this Authority did not invite payment of additional fees.

3. As only some of the required additional search fees were timely paid by the applicant, this international search report covers only those claims for which fees were paid, specifically claims Nos.:

4. No required additional search fees were timely paid by the applicant. Consequently, this international search report is restricted to the invention first mentioned in the claims; it is covered by claims Nos.:

Remark on Protest

- The additional search fees were accompanied by the applicant's protest and, where applicable, the payment of a protest fee.
- The additional search fees were accompanied by the applicant's protest but the applicable protest fee was not paid within the time limit specified in the invitation.
- No protest accompanied the payment of additional search fees.

FURTHER INFORMATION CONTINUED FROM PCT/ISA/ 210

This International Searching Authority found multiple (groups of) inventions in this international application, as follows:

1. claims: 1-4, 6-11

An oxidative hair colorant product comprising:

a) an oxidative hair colorant composition substantially free of surfactant comprising:

a hair dye,

an alkalizing agent

an oxidizing agent

a foam stabilizing agent selected from the group consisting of polymeric emulsifiers, polymeric foam stabilizers, and mixtures thereof; and

b) a manually-actuable, non-aerosol dispenser, wherein the composition is contained in the manually-actuable, non-aerosol dispenser and when the manually-actuable, non-aerosol dispenser is actuated, the composition is dispensed as a foam having a specific foam volume from about 6 ml/g to about 14 ml/g, and the corresponding kit.

2. claim: 5

An oxidative hair colorant composition comprising:

a hair dye,

an alkalizing agent,

an oxidizing agent, and

a foam stabilizing agent selected from the group consisting of polymeric emulsifiers, polymeric foam stabilizers, and mixtures thereof;

wherein the oxidative hair colorant composition comprises a low shear viscosity above 500 mPa s; and a high shear viscosity of the oxidative hair colorant composition is less than 200 mPa-s.

INTERNATIONAL SEARCH REPORT

Information on patent family members

International application No

PCT/US2010/061060

Patent document cited in search report	Publication date	Patent family member(s)	Publication date
US 2005222001	A1	06-10-2005	AT 409067 T 15-10-2008
			DE 102004016683 A1 27-10-2005
			EP 1588692 A1 26-10-2005
			JP 2005289994 A 20-10-2005
			US 2005222001 A1 06-10-2005

US 2006054634	A1	16-03-2006	AT 490932 T 15-12-2010
			AU 2003244078 A1 10-11-2003
			EP 1547937 A1 29-06-2005
			JP 4286154 B2 24-06-2009
			US 2006054634 A1 16-03-2006
			WO 03091128 A1 06-11-2003

WO 2009130461	A1	29-10-2009	WO 2009130461 A1 29-10-2009
			WO 2009130462 A1 29-10-2009

US 6106578	A	22-08-2000	NONE

US 2004213752	A1	28-10-2004	DE 04009836 T1 25-11-2010
			DE 202004021775 U1 25-11-2010
			DE 202004021806 U1 17-02-2011
			EP 1470812 A1 27-10-2004
			EP 2258338 A1 08-12-2010
			EP 2319481 A1 11-05-2011
			JP 4663251 B2 06-04-2011
			JP 4663772 B2 06-04-2011
			JP 4762362 B2 31-08-2011
			JP 2004339216 A 02-12-2004
			JP 2009051856 A 12-03-2009
			JP 2011042694 A 03-03-2011
			JP 2011140517 A 21-07-2011
			JP 2011173922 A 08-09-2011
			US 2004213752 A1 28-10-2004
			US 2010316583 A1 16-12-2010

US 2008087293	A1	17-04-2008	NONE

US 6835210	B1	28-12-2004	US 6835210 B1 28-12-2004
			US 2005102768 A1 19-05-2005
