



US00D428494S

United States Patent [19]

[11] Patent Number: Des. 428,494

Brogden et al.

[45] Date of Patent: ** Jul. 18, 2000

[54] **SOCCER IMAGE ON AN ADHESIVE BANDAGE**

OTHER PUBLICATIONS

[75] Inventors: **Nancy P. Brogden**, New York, N.Y.; **Wayne K. Dunshee**, Maplewood, Minn.; **Bruce R. Miller**, Stamford, Conn.; **John Rutig**, Huntington; **Barry G. Seelig**, New York, both of N.Y.

4 pages of photocopies of sample products from application No. D29/035,049 (Oct. 93; Jun. 94: Oct. 94).
Brochure "Tegaderm™ Transparent Dressing—Suggested Applications and Special Techniques", 3M Health Care; Form No. 70-20008-5413-4(321.5)II; Oct., 1991.
Brochure "Wound Care", Medical-Surgical Division 3M Health Care; Form No. 70-2008-4526-4(70.8) VP; 2-90.
Flyer "3M Tegaserb™ ulcer dressing" Medical-Surgical Division 3M Health Care; Form No. 70-2008-4530-6(5115)VP; 1991.
Flyer "3M Tegaserb™ Ulcer Dressing"; Medical-Surgical Division 3M Health Care; Form No. 70-2008-2728-8(301)ii; 1990.
Flyer "3M Tegaderm™ 1624W transparent dressing", 3M Health Care; Form No. 70-2008-6769-8(73.75)ii; 1993.
Flyer "3M Tegaderm Transparent Dressing", 3M Health Care; Form No. 70-2008-7408-2(644)ii; 1994.
Flyer "3M Tegaserb™ THIN hydrocolloid dressing"; 3M Health Care; Form No. 70-2008-6475-2(43.5)ii; 1993.
Package "3M Tegaserb™" dated Aug. 93.

[73] Assignee: **3M Innovative Properties Company**, St. Paul, Minn.

[**] Term: **14 Years**

[21] Appl. No.: **29/104,914**

[22] Filed: **May 10, 1999**

Related U.S. Application Data

[62] Division of application No. 29/077,939, Oct. 15, 1997, Pat. No. Des. 410,546.

[51] **LOC (7) Cl.** **24-04**

[52] **U.S. Cl.** **D24/189**

[58] **Field of Search** D24/189; 602/8, 602/41-56

(List continued on next page.)

Primary Examiner—Louis S. Zarfes

Assistant Examiner—G. Andoll

Attorney, Agent, or Firm—Gary L. Griswold; Eloise J. Maki; Stephen W. Bauer

[56] References Cited

U.S. PATENT DOCUMENTS

Re. 33,353	9/1990	Heinecke	428/40
Re. 33,727	10/1991	Sims	128/85
D. 267,431	12/1982	Santarelli	D24/49
D. 267,432	12/1982	Santarelli	D24/49

(List continued on next page.)

FOREIGN PATENT DOCUMENTS

0 051 935 A2	5/1982	European Pat. Off. .
0 236 104 A3	9/1987	European Pat. Off. .
0 465 023 A1	1/1992	European Pat. Off. .
1 078 285	3/1960	Germany .
196 39 755		
C1	9/1996	Germany .
295 18 174 U		
1	2/1997	Germany .
580420	8/1958	Italy .
WO 94/21207	9/1994	WIPO .

[57] CLAIM

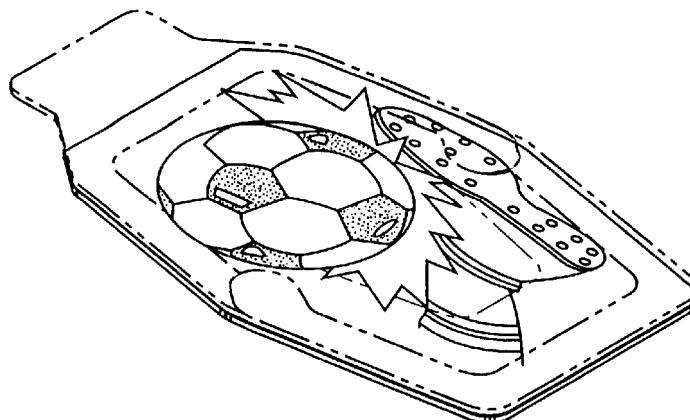
The ornamental design for a soccer image on an adhesive bandage, as shown and described.

DESCRIPTION

FIG. 1 is a perspective view of a soccer image on an adhesive bandage showing our new design;
FIG. 2 is a top plan view thereof;
FIG. 3 is a front elevational view thereof;
FIG. 4 is a bottom elevational view thereof;
FIG. 5 is a back elevational view thereof; and,
FIG. 6 is a left side elevational view thereof, the right side being a mirror image thereof.

The broken lines in the Figs. is for illustrative purposes only and forms no part of the claimed design

1 Claim, 1 Drawing Sheet



U.S. PATENT DOCUMENTS

D. 304,238	10/1989	Palau	D24/49	4,524,095	6/1985	Gockel et al.	428/43
D. 340,114	10/1993	Arginsky	D24/189	4,587,146	5/1986	Anhauser et al.	428/41
D. 340,985	11/1993	Arginsky	D24/189	4,664,106	5/1987	Snedeker	128/156
D. 340,986	11/1993	Arginsky	D24/189	4,669,458	6/1987	Abraham et al.	128/133
D. 340,987	11/1993	Arginsky	D24/189	4,678,462	7/1987	Vaillancourt	604/180
D. 340,988	11/1993	Arginsky	D24/189	4,702,237	10/1987	Gianopoulos et al.	128/98.1
D. 340,989	11/1993	Arginsky	D24/189	4,787,380	11/1988	Scott	128/156
D. 376,850	12/1996	Dunshee et al.	D24/189	4,846,164	7/1989	Martz	128/155
D. 377,688	1/1997	Dunshee et al.	D24/189	4,917,112	4/1990	Kalt	128/156
D. 383,211	9/1997	Dunshee et al.	D24/189	4,917,928	4/1990	Keinecke	428/41
D. 387,169	12/1997	Dunshee et al.	D24/189	4,917,929	4/1990	Heinecke	428/41
D. 389,244	1/1998	Dunshee et al.	D24/189	5,061,258	10/1991	Martz	604/307
D. 404,134	1/1999	Dunshee	D24/189	5,088,483	2/1992	Heinecke	602/46
D. 404,135	1/1999	Dunshee	D24/189	5,123,900	6/1992	Wick	602/41
D. 404,136	1/1999	Dunshee et al.	D24/189	5,160,315	11/1992	Heinecke et al.	602/57
D. 407,160	3/1999	Dunshee et al.	D24/189	5,230,350	7/1993	Fentress	128/846
D. 408,540	4/1999	Dunshee et al.	D24/189	5,480,717	1/1996	Kundel	602/56
D. 408,541	4/1999	Dunshee et al.	D24/189	5,489,262	2/1996	Cartmell et al.	602/57
D. 409,754	5/1999	Dunshee et al.	D24/189	5,520,629	5/1996	Heinecke et al.	602/57
D. 410,087	5/1999	Dunshee et al.	D24/189	5,531,855	7/1996	Heinecke et al.	156/252
D. 410,546	6/1999	Brogden et al.	D24/189	5,593,395	1/1997	Martz	604/304
2,851,805	9/1958	Allen	41/10	5,630,430	5/1997	Shultz et al.	602/54
3,425,412	2/1969	Pope	128/156	5,738,642	4/1998	Heinecke et al.	602/58
4,126,130	11/1978	Cowden et al.	602/8				
4,161,176	7/1979	Harris, II et al.	128/155				
4,285,338	8/1981	Lemelson	128/155				
4,499,896	2/1985	Heinecke	128/156				

OTHER PUBLICATIONS

Brochure "3M Tegaserb™ Hydrocolloid Dressing 3M Tegaserb™ THIN Hydrocolloid Dressing Product Profile"; 3M Health Care; Form No. 70-2008-3817-8(861)ii; 1996.

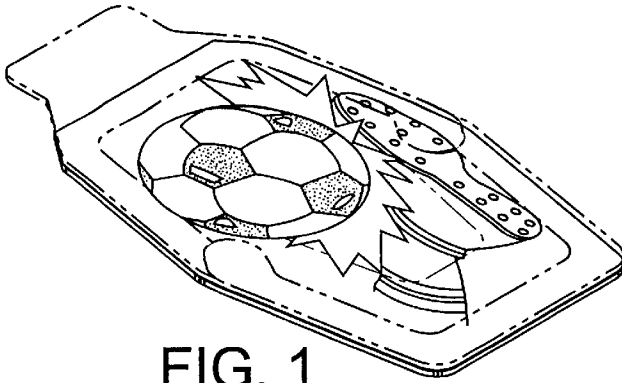


FIG. 1



FIG. 5



FIG. 6

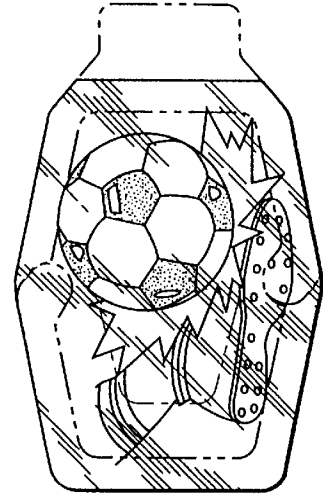


FIG. 2



FIG. 3

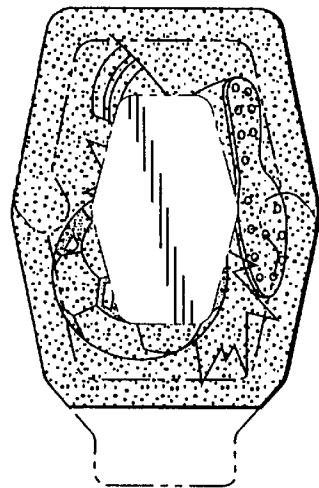


FIG. 4