



US00D676141S

(12) **United States Design Patent**  
**Wu**

(10) **Patent No.:** **US D676,141 S**

(45) **Date of Patent:** **\*\* Feb. 12, 2013**

(54) **MASSAGER**

(76) Inventor: **Dong-Her Wu, Chang Hua Hsien (TW)**

(\*\*) Term: **14 Years**

(21) Appl. No.: **29/411,407**

(22) Filed: **Jan. 20, 2012**

(51) **LOC (9) Cl.** ..... **28-03**

(52) **U.S. Cl.** ..... **D24/215**

(58) **Field of Classification Search** ..... D24/200,  
D24/211–215, 141; 601/27, 28, 33, 40, 46,  
601/47, 48, 63, 80, 99, 104, 112, 113, 114,  
601/119, 122, 125, 129, 134, 135, 137, DIG. 12,  
601/DIG. 13, DIG. 14, DIG. 15, DIG. 16,  
601/DIG. 17

See application file for complete search history.

(56) **References Cited**

**U.S. PATENT DOCUMENTS**

D92,995 S *	8/1934	Andis	.....	D24/214
D205,747 S *	9/1966	Myers	.....	D24/214
3,542,941 A *	11/1970	Menzel	.....	174/562
D331,288 S *	11/1992	Yuen	.....	D24/214
D366,703 S *	1/1996	Huen	.....	D24/214
D531,733 S *	11/2006	Burout et al.	.....	D24/215
D576,285 S *	9/2008	Kennedy	.....	D24/209

D648,441 S *	11/2011	Rivero	.....	D24/200
D649,657 S *	11/2011	Petersen et al.	.....	D24/215
2010/0145242 A1 *	6/2010	Tsai	.....	601/108

\* cited by examiner

*Primary Examiner* — Sandra Snapp

(74) *Attorney, Agent, or Firm* — Jackson IPG PLLC

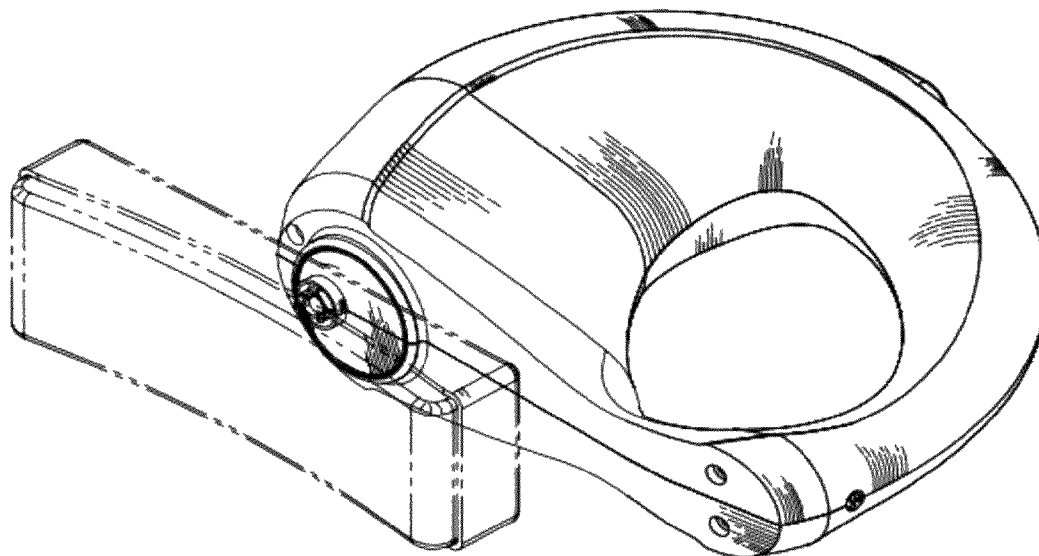
(57) **CLAIM**

I claim the ornamental design for a massager, as shown and described.

**DESCRIPTION**

FIG. 1 is a rear elevation view thereof.  
 FIG. 2 is a front elevation view thereof.  
 FIG. 3 is a left side view thereof.  
 FIG. 4 is a right side view thereof.  
 FIG. 5 is a top plan view thereof.  
 FIG. 6 is a bottom plan view thereof; and,  
 FIG. 7 is a perspective view of a massager showing my new design.  
 FIG. 8 shows the present invention in condition of use; and,  
 FIG. 9 shows the present invention in another condition of use.  
 The broken line showing of environmental structure is for illustrative purposes only and forms no part of the claimed design.

**1 Claim, 6 Drawing Sheets**



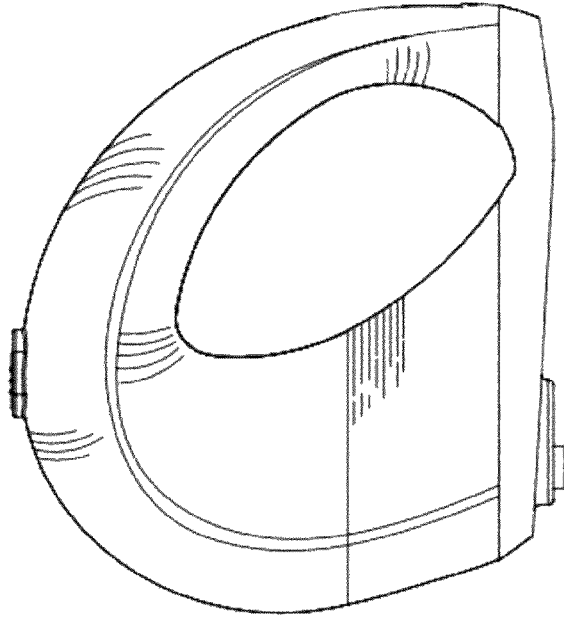


Fig. 2

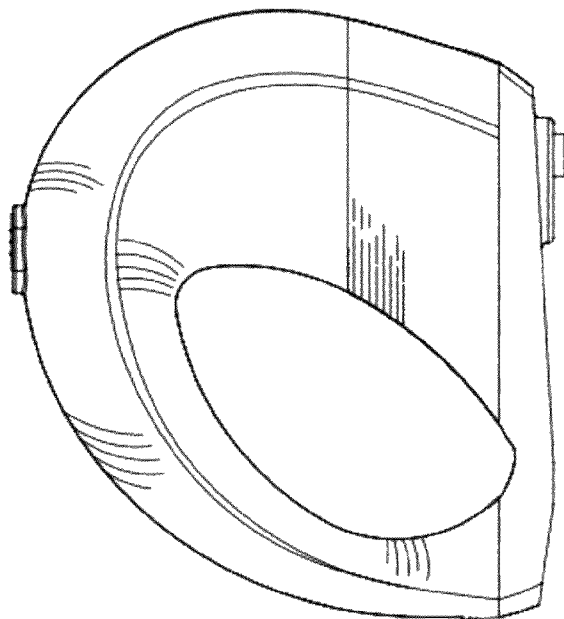


Fig. 1

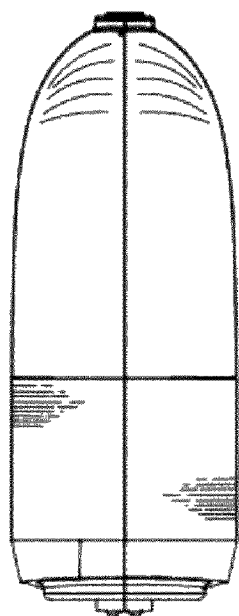


Fig. 3

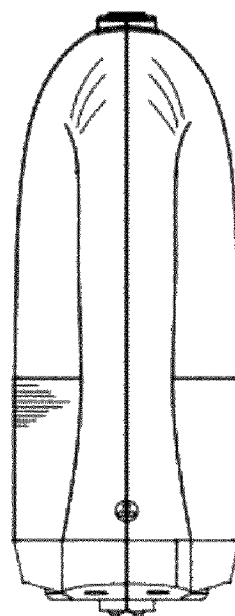


Fig. 4

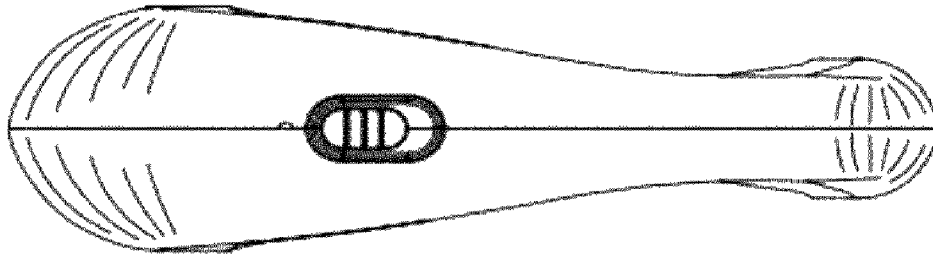


Fig. 5

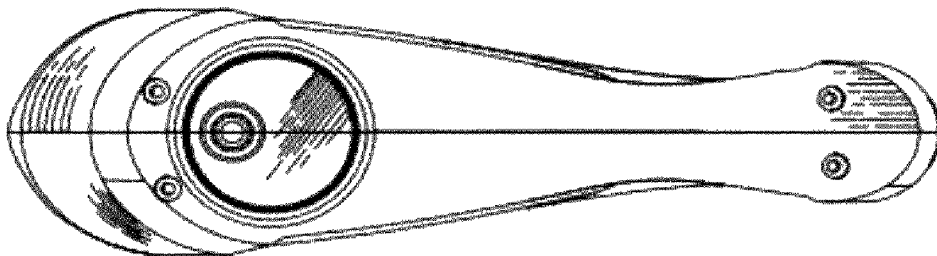


Fig. 6

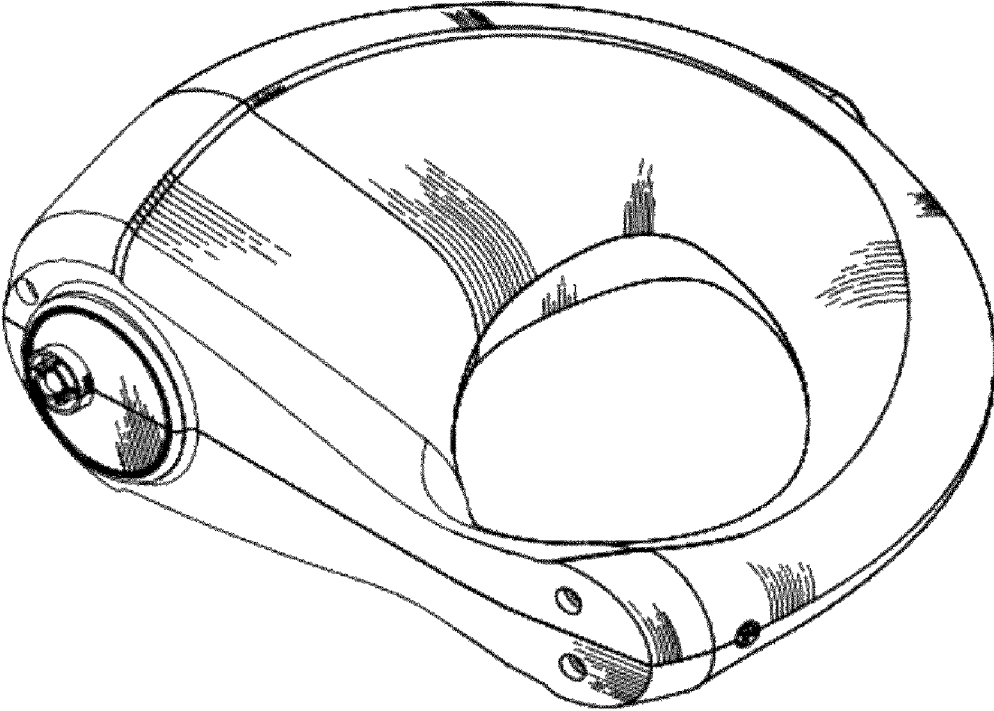


Fig. 7

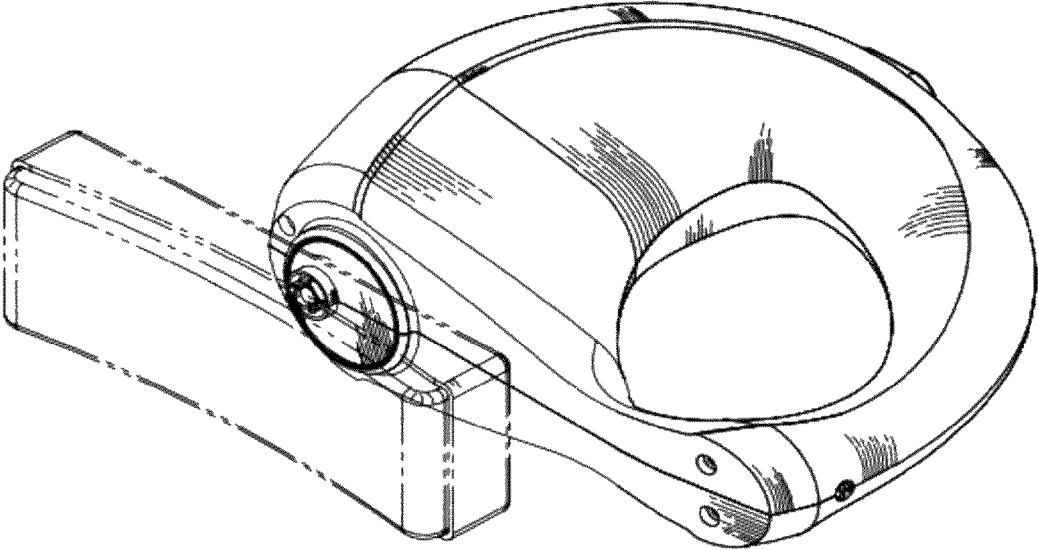


Fig. 8

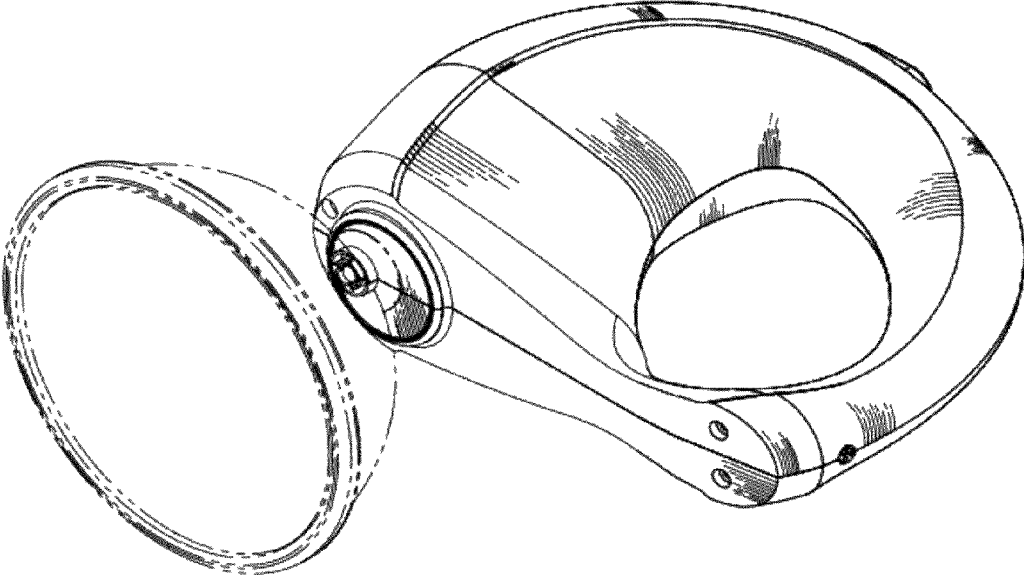


Fig. 9