



US00D829465S

(12) **United States Design Patent**  
**Yang et al.**

(10) **Patent No.:** **US D829,465 S**

(45) **Date of Patent:** **\*\* Oct. 2, 2018**

(54) **LIQUID DISPENSER CARTRIDGE**

2,697,446 A	12/1954	Harrington
2,772,817 A	12/1956	Jauch
3,023,922 A	3/1962	Arrington et al.
3,149,754 A	9/1964	Kogan et al.
3,220,954 A	11/1965	Malbe

(Continued)

(71) Applicant: **simplehuman, LLC**, Torrance, CA (US)

(72) Inventors: **Frank Yang**, Rancho Palos Verdes, CA (US); **Kenneth Yen**, Redondo Beach, CA (US); **Myk Lum**, Irvine, CA (US); **Adam Wade**, Rancho Santa Margarita, CA (US)

**FOREIGN PATENT DOCUMENTS**

AU	364945	10/2015
AU	201613950	9/2016

(Continued)

(73) Assignee: **simplehuman, LLC**, Torrance, CA (US)

**OTHER PUBLICATIONS**

(\*\*) Term: **15 Years**

U.S. Appl. No. 29/552,697, filed Jan. 25, 2016, Yang et al.  
(Continued)

(21) Appl. No.: **29/587,080**

*Primary Examiner* — John Windmuller  
*Assistant Examiner* — Steven J Czyz  
(74) *Attorney, Agent, or Firm* — Knobbe, Martens, Olson & Bear, LLP

(22) Filed: **Dec. 9, 2016**

**Related U.S. Application Data**

(63) Continuation of application No. 29/519,741, filed on Mar. 6, 2015, now Pat. No. Des. 773,848.

(51) **LOC (11) Cl.** ..... **23-02**

(52) **U.S. Cl.**  
USPC ..... **D6/542**

(58) **Field of Classification Search**

USPC ..... D6/512, 524, 542, 543, 544, 545;  
D9/695, 697, 729, 730, 520, 521  
CPC ..... A47F 1/085; A47G 19/24; A47G 21/12;  
A47K 5/1217; A47K 5/02; B65D 5/32;  
B65D 23/003; B65D 55/026; B65D  
81/365; B65D 83/267; B65D 83/40

See application file for complete search history.

(56) **References Cited**

**U.S. PATENT DOCUMENTS**

2,017,867 A	10/1935	Nantz
2,106,043 A	1/1938	Urquhart et al.
2,651,545 A	9/1953	Shotton

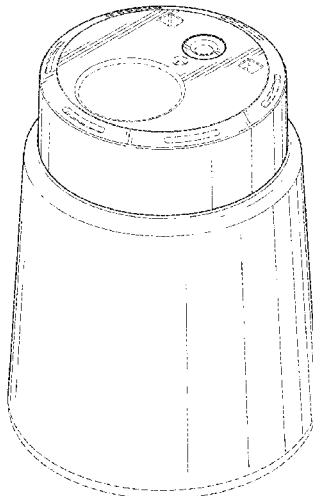
(57) **CLAIM**

The ornamental design for a liquid dispenser cartridge, as shown and described.

**DESCRIPTION**

FIG. 1 is a top, front, left-side perspective view of a liquid dispenser cartridge embodying our design; FIG. 2 is a bottom, rear, right-side perspective view thereof; FIG. 3 is a left-side elevation view thereof, the right-side elevation view being a mirror image of the right-side elevation view; FIG. 4 is a front elevation view thereof, the rear elevation view being a mirror image of the front elevation view; FIG. 5 is a top plan view thereof; and, FIG. 6 is a bottom plan view thereof. All features in broken lines form no part of the claimed subject matter.

**1 Claim, 3 Drawing Sheets**



(56)

References Cited

U.S. PATENT DOCUMENTS

3,631,736	A	1/1972	Saari	6,971,549	B2	12/2005	Leifheit et al.	
3,701,482	A	10/1972	Sachnik	7,008,073	B2	3/2006	Stuhlmacher	
4,046,289	A	9/1977	Teranishi	D530,954	S	10/2006	Snell	
4,056,050	A	11/1977	Brown	D531,440	S	11/2006	Lo	
4,113,147	A	9/1978	Frazier et al.	D531,441	S	11/2006	Soriano	
4,217,993	A	8/1980	Jess et al.	D531,845	S	11/2006	Christianson	
4,457,455	A	7/1984	Meshberg	D534,753	S	1/2007	Christianson	
4,498,843	A	2/1985	Schneider et al.	7,178,746	B2	2/2007	Gross	
4,524,805	A	6/1985	Hoffman	7,213,593	B2	5/2007	Hochrainer	
4,693,854	A	9/1987	Yau	D554,412	S	11/2007	Yang et al.	
4,722,372	A	2/1988	Hoffman et al.	7,296,765	B2	11/2007	Rodrian	
4,915,347	A	4/1990	Iqbal et al.	D560,942	S	2/2008	Hanna	
4,921,131	A	5/1990	Binderbauer et al.	D564,273	S	3/2008	Yang et al.	
4,938,384	A	7/1990	Pilolla	7,337,635	B2	3/2008	Cerruti et al.	
4,967,935	A	11/1990	Celest	D565,878	S	4/2008	Krus	
5,028,328	A	7/1991	Long	7,354,015	B2	4/2008	Byrd et al.	
5,082,150	A	1/1992	Steiner et al.	D581,193	S	11/2008	Ghiorghie	
5,169,040	A	12/1992	Wiley	D582,187	S	12/2008	Yang et al.	
5,186,360	A	2/1993	Mease et al.	7,479,000	B2	1/2009	Klassen	
5,199,118	A	4/1993	Cale et al.	D593,784	S	6/2009	Chan	
5,255,822	A	10/1993	Mease et al.	7,540,397	B2	6/2009	Muderlak et al.	
5,271,528	A	12/1993	Chien	D604,544	S	11/2009	Daams	
5,305,916	A	4/1994	Suzuki et al.	7,637,893	B2	12/2009	Christensen et al.	
5,449,280	A	9/1995	Maki et al.	D608,578	S	1/2010	Yang et al.	
5,466,131	A	11/1995	Altham et al.	D622,991	S	9/2010	MacDonald et al.	
5,472,719	A	12/1995	Favre	D626,365	S	11/2010	Yang et al.	
5,477,984	A	12/1995	Sayama et al.	D644,523	S	9/2011	Howell	D9/520
5,509,578	A	4/1996	Livingstone	D644,529	S	9/2011	Padain	D9/435
5,632,414	A	5/1997	Merriweather, Jr.	D644,530	S	9/2011	Padain et al.	
5,771,925	A	6/1998	Lewandowski	D644,531	S	9/2011	Padain	D9/435
5,823,390	A	10/1998	Muderlak et al.	8,087,543	B2	1/2012	Yang et al.	
5,829,636	A	11/1998	Vuong et al.	8,096,445	B2	1/2012	Yang et al.	
5,836,482	A	11/1998	Ophardt et al.	8,109,301	B1	2/2012	Denise	
5,960,991	A	10/1999	Ophardt	8,109,411	B2	2/2012	Yang et al.	
D416,154	S	11/1999	Diehl	8,152,027	B1	4/2012	Baker	
5,988,451	A	11/1999	Hanna	D658,915	S	5/2012	Fernandes	D6/542
6,021,705	A	2/2000	Dijs	D659,452	S	5/2012	Yang et al.	
6,021,960	A	2/2000	Kehat	D659,454	S	5/2012	Fritz et al.	
6,036,056	A	3/2000	Lee et al.	D660,061	S	5/2012	Fernandes et al.	
6,048,183	A	4/2000	Meza	D661,531	S	6/2012	Tompkin	
D426,093	S	6/2000	Cayouette	D661,933	S	6/2012	Delgigante	D6/542
D426,413	S	6/2000	Kreitemier et al.	D663,983	S	7/2012	Yang et al.	
6,126,290	A	10/2000	Veigel	D664,387	S	7/2012	Kennedy	D6/542
D433,944	S	11/2000	Bernard	D672,177	S	12/2012	Zeng	
D438,041	S	2/2001	Huang	D674,636	S	1/2013	Yang et al.	
6,209,752	B1	4/2001	Mitchell et al.	8,360,285	B2	1/2013	Grbesic	A47G 19/183 222/181.3
RE37,173	E	5/2001	Jefferson, Jr. et al.	D676,116	S	2/2013	Judd	
6,269,735	B1	8/2001	Rolfes	D682,589	S	5/2013	Cheng	
6,279,460	B1	8/2001	Pope	D688,488	S	8/2013	Wang	
6,279,777	B1	8/2001	Goodin et al.	D689,299	S	9/2013	Kassem Llano et al.	
6,311,868	B1	11/2001	Krietemeier et al.	D690,129	S	9/2013	Clough et al.	
6,325,604	B1	12/2001	Du	D690,130	S	9/2013	Clough et al.	
6,375,038	B1	4/2002	Daansen et al.	D690,131	S	9/2013	Clough et al.	
6,390,329	B1	5/2002	Maddox	D690,530	S	10/2013	Clough et al.	
6,443,328	B1	9/2002	Fehl et al.	8,550,378	B2	10/2013	Mazooji	B05B 9/0861 222/181.1
6,444,956	B1	9/2002	Witcher et al.	D693,597	S	11/2013	Yang et al.	
D471,047	S	3/2003	Gordon	D699,047	S	2/2014	Lissoni	
6,557,584	B1	5/2003	Lucas et al.	D699,475	S	2/2014	Yang et al.	
6,594,105	B1	7/2003	Brittner	D699,574	S	2/2014	Cox	D9/500
D477,956	S	8/2003	Grisdale et al.	8,662,356	B2	3/2014	Padain et al.	
6,619,938	B2	9/2003	Woodruff	8,678,244	B2	3/2014	Yang et al.	
D483,974	S	12/2003	Reed	D706,549	S	6/2014	Cho	
D484,573	S	12/2003	Haug et al.	D717,066	S	11/2014	Deacon	
D486,335	S	2/2004	Sonneman	D721,279	S	1/2015	Van Handel	D9/520
6,698,616	B2	3/2004	Hidle et al.	D727,653	S	4/2015	Bjerre-Poulsen	D6/542
6,722,265	B2	4/2004	Priley	D731,203	S	6/2015	Watson	D6/542
D490,262	S	5/2004	Graves et al.	D731,204	S	6/2015	Watson	D6/542
6,748,850	B1	6/2004	Kraan	D732,308	S	6/2015	Enga et al.	
6,777,007	B2	8/2004	Cal	D746,136	S	12/2015	Liu	
6,805,042	B2	10/2004	Mordini et al.	9,265,383	B2	2/2016	Yang et al.	
6,824,369	B2	11/2004	Raymond	D770,798	S	11/2016	Yang et al.	
D499,295	S	12/2004	Grisdale et al.	D773,847	S	12/2016	Judd	
6,832,542	B2	12/2004	Hu et al.	D773,848	S	12/2016	Yang	D6/542
6,892,899	B2	5/2005	Minard et al.	D785,970	S	5/2017	Yang et al.	
6,929,150	B2	8/2005	Muderlak et al.	D786,579	S	5/2017	Beck	D6/542
				9,763,546	B2	9/2017	Yang et al.	
				2002/0179643	A1	12/2002	Knight et al.	



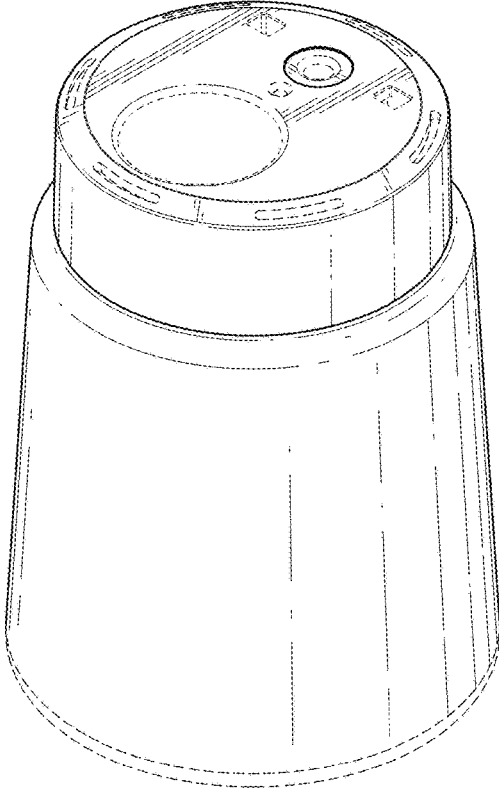


FIG. 1

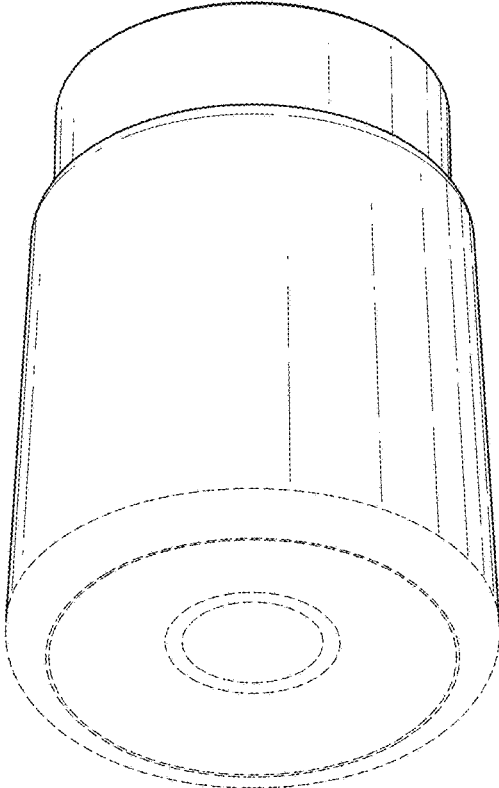
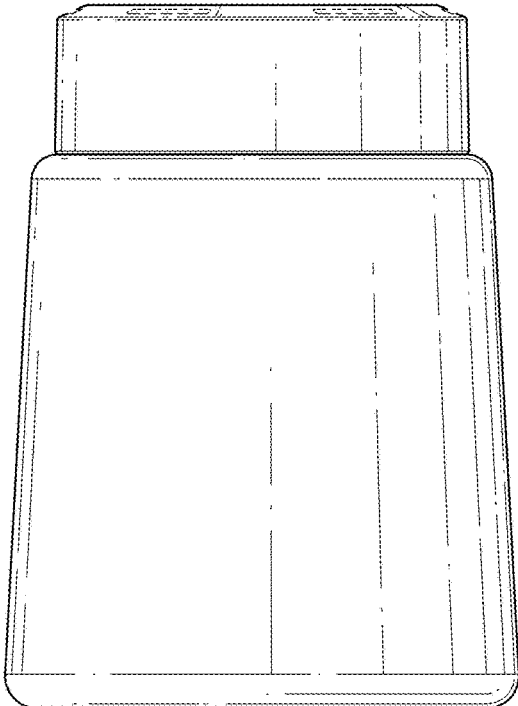
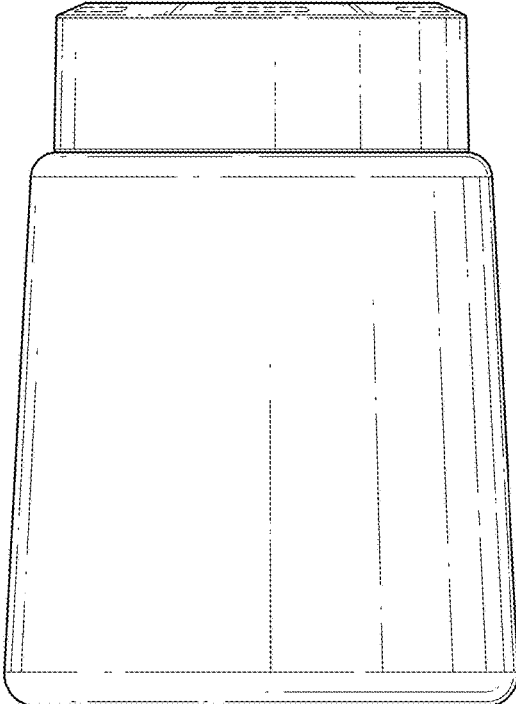


FIG. 2



*FIG. 3*



*FIG. 4*

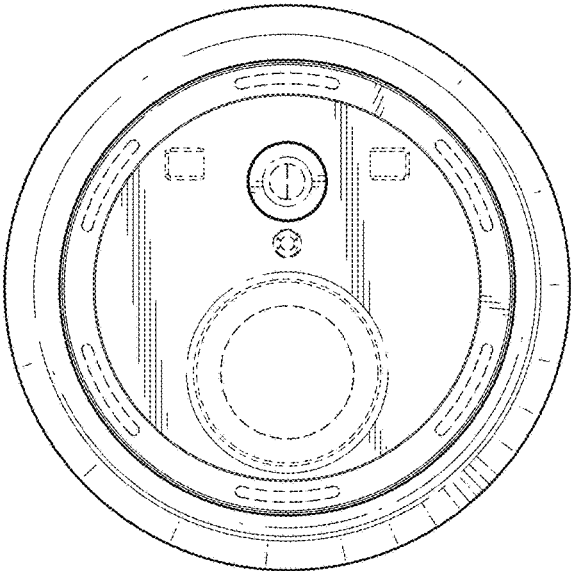


FIG. 5

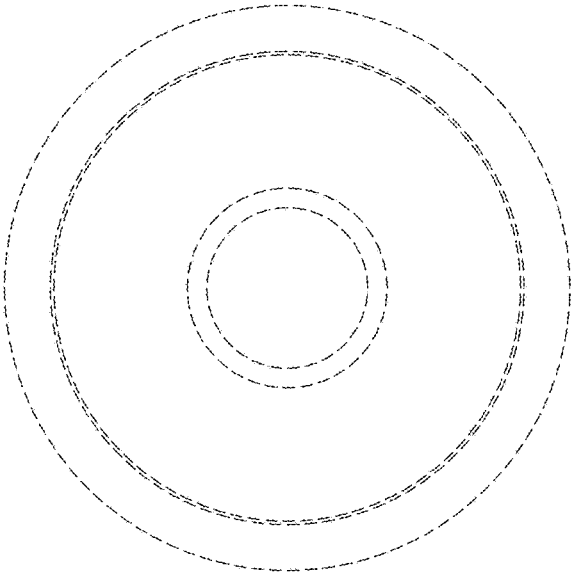


FIG. 6