



US00D671121S

(12) **United States Design Patent**
Schickling et al.

(10) **Patent No.:** **US D671,121 S**

(45) **Date of Patent:** **** Nov. 20, 2012**

(54) **HANDHELD INFRA-RED SCANNER**

(75) Inventors: **Robert Joseph Schickling**, Dayton, NV
(US); **James H. Logg**, Ukiah, CA (US)

(73) Assignee: **Trimble Navigation Limited**,
Sunnyvale, CA (US)

(**) Term: **14 Years**

(21) Appl. No.: **29/420,540**

(22) Filed: **May 10, 2012**

(51) **LOC (9) Cl.** **14-02**

(52) **U.S. Cl.** **D14/426**

(58) **Field of Classification Search** D14/420,
D14/426-430, 453, 346, 341, 347, 412; D13/107,
D13/184; 358/473; 235/462.43, 462.45,
235/462.47, 462.48, 462.44, 462.46, 487,
235/472.01, 472.02; 16/110.1, 430, 431;
439/133, 135; 709/219, 201; 710/73; 320/114,
320/115, 123; 361/679; 382/313, 321; 455/575.1,
455/561, 572

See application file for complete search history.

(56) **References Cited**

U.S. PATENT DOCUMENTS

2,780,829	A *	2/1957	Cohen	15/365
3,421,171	A *	1/1969	Tsuruzawa	15/172
3,574,885	A *	4/1971	Jones	15/393
D222,792	S *	12/1971	Krusche et al.	D4/137
3,626,546	A *	12/1971	Dove	15/402
3,668,736	A *	6/1972	Loscalzo	15/402
D226,462	S *	3/1973	Gibbs	D4/114
4,335,303	A *	6/1982	Call	235/462.41
D274,249	S *	6/1984	Polhemus	D14/426
D293,795	S *	1/1988	Yamamoto	D14/428
D295,411	S *	4/1988	Cho et al.	D14/347
D304,827	S *	11/1989	Kubota	D14/426
D307,749	S *	5/1990	Kubota et al.	D14/426
D311,393	S *	10/1990	Weaver et al.	D14/420
D315,251	S *	3/1991	Clivio	D4/115
D319,436	S *	8/1991	Matsushita	D14/428
D331,576	S *	12/1992	Yamanaka	D14/428

5,184,005	A *	2/1993	Ukai et al.	235/462.16
5,239,669	A *	8/1993	Mason et al.	455/12.1
D340,042	S *	10/1993	Copper et al.	D14/388
5,256,866	A *	10/1993	Conversano et al.	235/472.03
D341,584	S *	11/1993	Shepard et al.	D14/428
D342,489	S *	12/1993	Tzu-Chin	D14/426
D352,704	S *	11/1994	Etoh	D14/426
D352,935	S *	11/1994	Etoh	D14/428
D352,937	S *	11/1994	Karlin	D14/428
D352,939	S *	11/1994	Karlin	D14/426
D353,134	S *	12/1994	Etoh	D14/426
D355,903	S *	2/1995	Pollack et al.	D14/430
D356,559	S *	3/1995	Roustaei	D14/428
D357,240	S *	4/1995	Kitazumi et al.	D14/429
D357,876	S *	5/1995	McConnell	D10/78
D368,342	S *	3/1996	Founds	D32/18
D374,440	S *	10/1996	Kanno et al.	D14/428
D377,347	S *	1/1997	Karlin	D14/428
D385,537	S *	10/1997	Walker et al.	D14/388
D391,555	S *	3/1998	Schlieffers et al.	D18/4.4
D392,282	S *	3/1998	Ahearn et al.	D14/346
5,801,371	A *	9/1998	Kahn et al.	235/472.01
5,801,918	A *	9/1998	Ahearn et al.	361/679.55

(Continued)

Primary Examiner — Susan Moon Lee

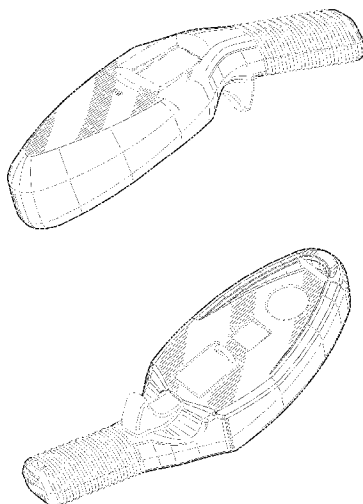
(57) **CLAIM**

We claim the ornamental design for a handheld infra-red scanner, as shown and described.

DESCRIPTION

FIG. 1 is an upper left front perspective view of a handheld infra-red scanner showing my new design; FIG. 2 is a lower left rear perspective view thereof; FIG. 3 is a right side elevational view thereof; FIG. 4 is a front plan view thereof; FIG. 5 is a rear plan view thereof; FIG. 6 is a top plan view thereof; and, FIG. 7 is a bottom plan view thereof. Singular broken lines running along surfaces of otherwise claimed portions of the invention are not claimed. Where there are portions in broken line, the broken lines and portions of space contained within are not claimed.

1 Claim, 4 Drawing Sheets



US D671,121 S

U.S. PATENT DOCUMENTS

5,844,228	A *	12/1998	Nukui et al.	235/472.01	6,986,217	B2 *	1/2006	Leung et al.	38/77.83
D406,126	S *	2/1999	Massieu et al.	D14/428	7,007,849	B2 *	3/2006	Schmidt et al.	235/462.22
D408,532	S *	4/1999	Schmidt et al.	D14/428	7,013,570	B2 *	3/2006	Levine et al.	33/286
5,929,425	A *	7/1999	Kanno	235/472.01	7,017,813	B2 *	3/2006	Blake et al.	235/462.01
D413,308	S *	8/1999	Nelson et al.	D14/341	D518,482	S *	4/2006	Hodges et al.	D14/426
D416,883	S *	11/1999	Wagner et al.	D14/426	D524,813	S *	7/2006	Nakajima et al.	D14/426
D417,551	S *	12/1999	Pinchuk	D4/136	D527,732	S *	9/2006	Page et al.	D14/426
D419,545	S *	1/2000	Krantz et al.	D14/426	D530,232	S *	10/2006	Gist	D10/65
D419,546	S *	1/2000	Krantz et al.	D14/426	7,155,117	B2 *	12/2006	Leung et al.	392/404
6,022,163	A *	2/2000	Asfur	401/175	7,281,663	B2 *	10/2007	Schmidt et al.	235/462.46
D433,416	S *	11/2000	Strand et al.	D14/426	7,325,740	B2 *	2/2008	Schmidt et al.	235/462.45
D435,557	S *	12/2000	Eisenberg et al.	D14/428	D569,378	S *	5/2008	Wanamaker	D14/426
6,158,662	A *	12/2000	Kahn et al.	235/472.01	D574,838	S *	8/2008	Palmer	D14/453
6,234,395	B1 *	5/2001	Chadima et al.	235/472.01	7,491,956	B2 *	2/2009	Knoche et al.	250/559.29
D445,786	S *	7/2001	Skelton	D14/341	D590,111	S *	4/2009	Wiljanen et al.	D32/32
D447,141	S *	8/2001	Itoh et al.	D14/385	D590,157	S *	4/2009	Martin	D4/136
D453,760	S *	2/2002	Gustafson et al.	D14/420	D595,964	S *	7/2009	Choi	D4/114
D455,430	S *	4/2002	Krantz	D14/426	D601,806	S *	10/2009	Choi	D4/114
D455,750	S *	4/2002	Krantz	D14/426	D601,807	S *	10/2009	Choi	D4/114
D456,808	S *	5/2002	Fitch et al.	D14/428	D609,590	S *	2/2010	Wingate	D10/65
6,394,355	B1 *	5/2002	Schlieffers et al.	235/472.01	D610,586	S *	2/2010	Chen	D14/426
D458,264	S *	6/2002	MacGregor	D14/426	D612,852	S *	3/2010	Bancolini	D14/426
D460,272	S *	7/2002	Fong	D4/138	D613,912	S *	4/2010	Benacquisto	D30/158
6,412,699	B1 *	7/2002	Russell et al.	235/472.01	D619,583	S *	7/2010	Wintour	D14/426
D465,309	S *	11/2002	Foersterling	D32/35	7,810,992	B2 *	10/2010	Chen et al.	374/121
D470,847	S *	2/2003	Carlson et al.	D14/428	2002/0096125	A1 *	7/2002	Fong	119/664
D473,872	S *	4/2003	Ausems et al.	D14/420	2002/0104887	A1 *	8/2002	Schlieffers et al.	235/472.02
D473,987	S *	4/2003	Foersterling	D32/35	2002/0109010	A1 *	8/2002	Wilz et al.	235/462.45
D476,160	S *	6/2003	Choi	D4/121	2002/0150450	A1 *	10/2002	Bevirt et al.	414/225.01
6,700,489	B1 *	3/2004	Easter et al.	340/572.3	2003/0125851	A1 *	7/2003	Andreasen et al.	701/29
D490,731	S *	6/2004	Bradford	D10/78	2003/0141370	A1 *	7/2003	Hamilton et al.	235/462.45
6,745,943	B2 *	6/2004	Schlieffers et al.	235/472.01	2004/0105715	A1 *	6/2004	Spelman et al.	401/6
6,761,317	B1 *	7/2004	Knowles et al.	235/472.01	2005/0199726	A1 *	9/2005	Schmidt et al.	235/462.45
D494,584	S *	8/2004	Schlieffers et al.	D14/346	2009/0257469	A1 *	10/2009	Jones et al.	374/133
6,974,270	B2 *	12/2005	Cockerill et al.	400/88					

* cited by examiner

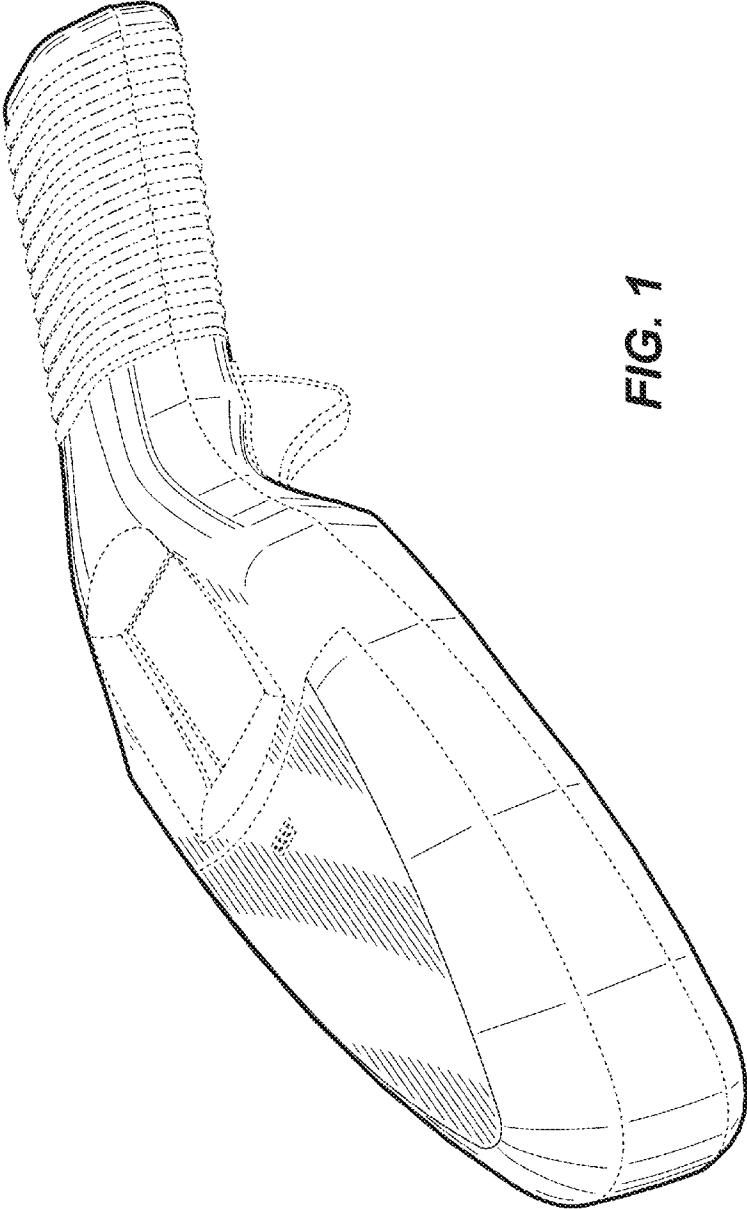


FIG. 1

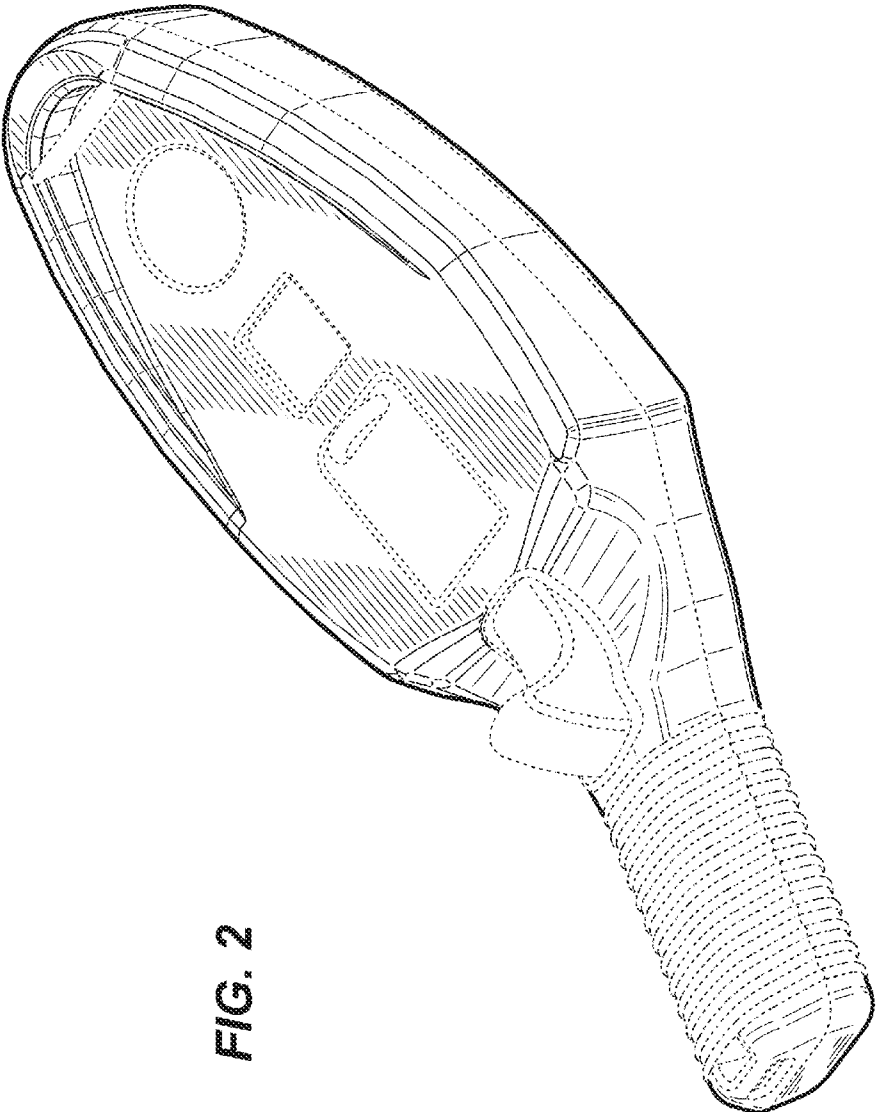


FIG. 2

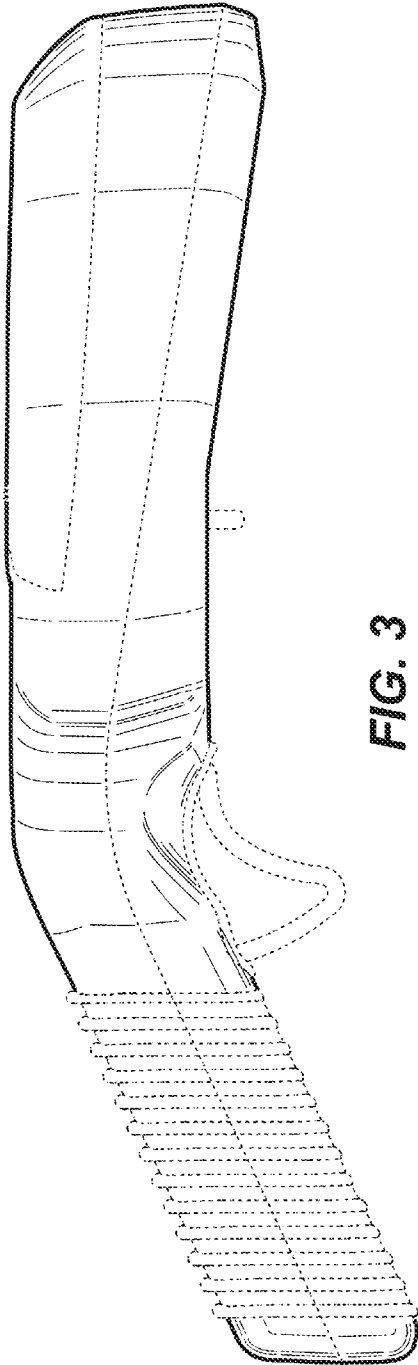


FIG. 3

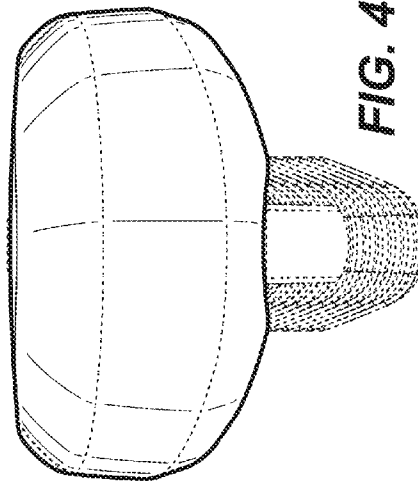


FIG. 4

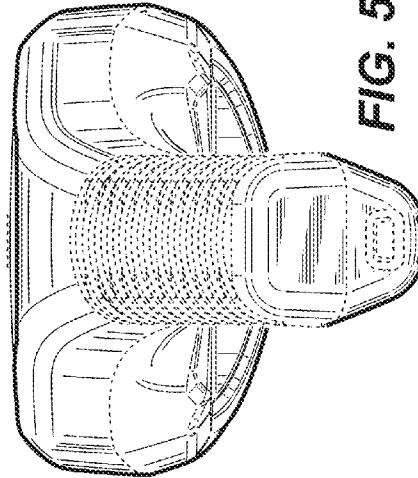


FIG. 5

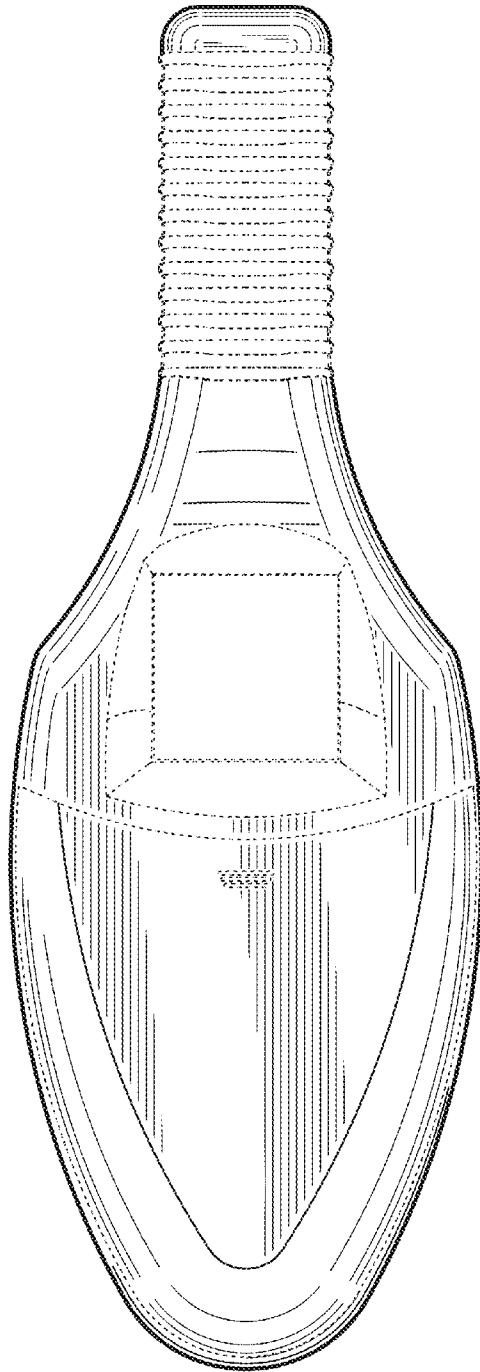


FIG. 6

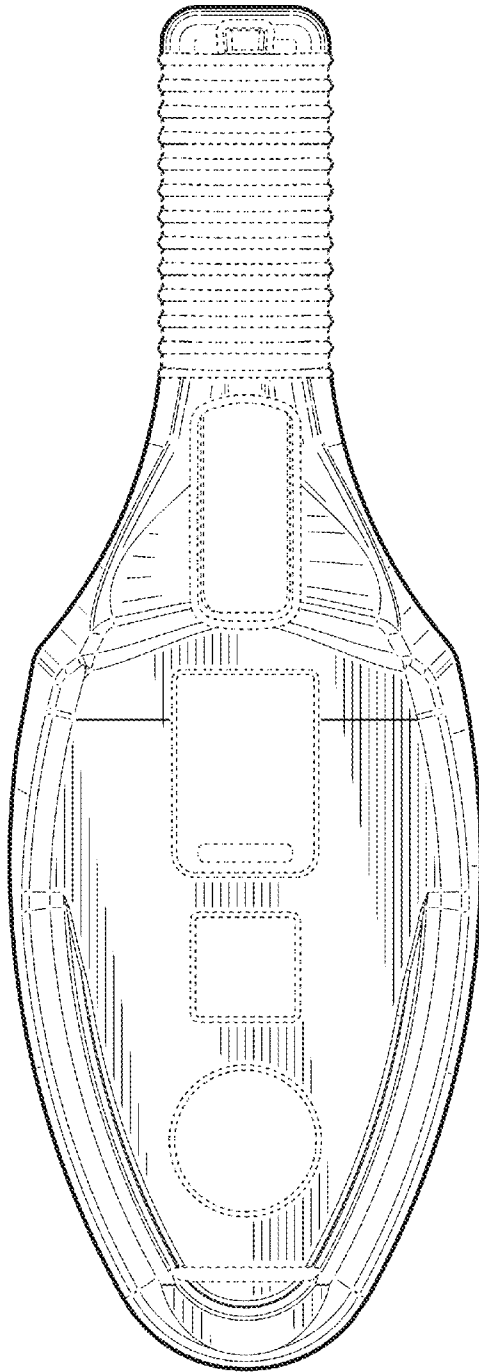


FIG. 7