



US00D538068S

(12) **United States Design Patent**
Newhouse et al.

(10) **Patent No.:** **US D538,068 S**

(45) **Date of Patent:** **** Mar. 13, 2007**

(54) **HEIGHT ADJUSTABLE WORK STATION**

(75) Inventors: **Thomas J. Newhouse**, Grand Rapids, MI (US); **Paul B. Jager**, Hamilton, MI (US); **Robert E. Seaberg**, North Muskegon, MI (US)

(73) Assignee: **Hekman Furniture Company**, Grand Rapids, MI (US)

(**) Term: **14 Years**

(21) Appl. No.: **29/233,532**

(22) Filed: **Jul. 6, 2005**

(51) **LOC (8) Cl.** **06-03**

(52) **U.S. Cl.** **D6/484**

(58) **Field of Classification Search** D6/480-489,
D6/495, 511, 451, 422, 427, 449; 108/153.1,
108/155, 156, 157.1, 161; 312/194, 195;
248/188, 188.1

See application file for complete search history.

(56) **References Cited**

U.S. PATENT DOCUMENTS

D281,746 S * 12/1985 Koguma D6/426
D371,701 S * 7/1996 Jolly D6/484
5,549,053 A 8/1996 Grout
5,598,788 A 2/1997 Jonker
D401,224 S 11/1998 Mollenkopf et al.

D431,389 S * 10/2000 Brandenburg D6/422
6,196,648 B1 3/2001 Henriott
6,202,567 B1 3/2001 Funk et al.
6,209,840 B1 4/2001 Chen
6,312,069 B1 11/2001 Weng
6,374,754 B1 4/2002 Chang
6,422,668 B1 7/2002 Kelley et al.
D480,086 S 9/2003 Searby et al.
2001/0013305 A1 * 8/2001 Funk et al. 108/50.02

* cited by examiner

Primary Examiner—Janice E. Seeger

(74) *Attorney, Agent, or Firm*—Warner Norcross & Judd

(57) **CLAIM**

The ornamental design for a height adjustable work station, as shown and described.

DESCRIPTION

FIG. 1 is a perspective view showing the work station of our new design;

FIG. 2 is a front elevation view thereof;

FIG. 3 is a back elevation view thereof;

FIG. 4 is a left side elevation view thereof;

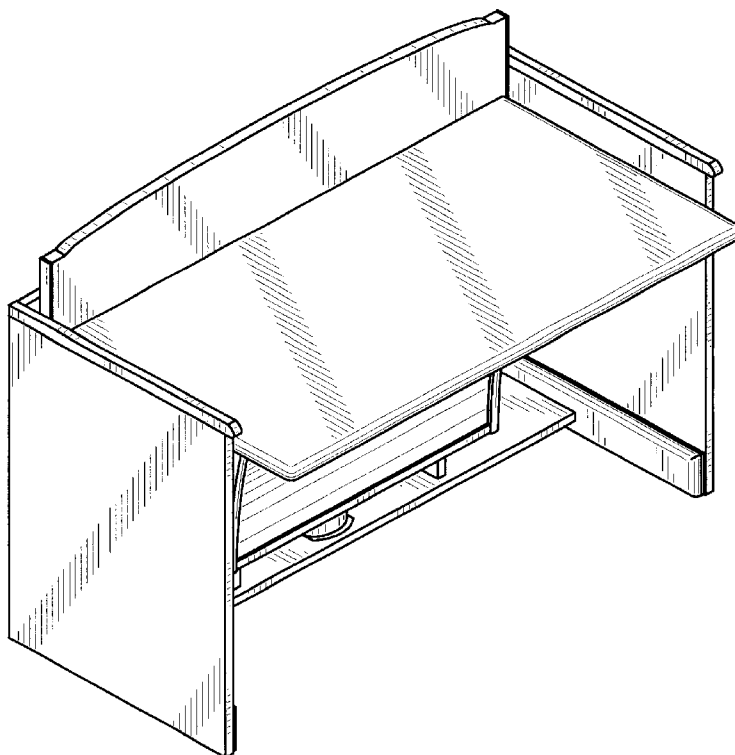
FIG. 5 is a right side elevation view thereof;

FIG. 6 a top plan view thereof; and,

FIG. 7 is a bottom plan view thereof.

The phantom lines are for illustrative purpose and form no part of the claimed design.

1 Claim, 7 Drawing Sheets



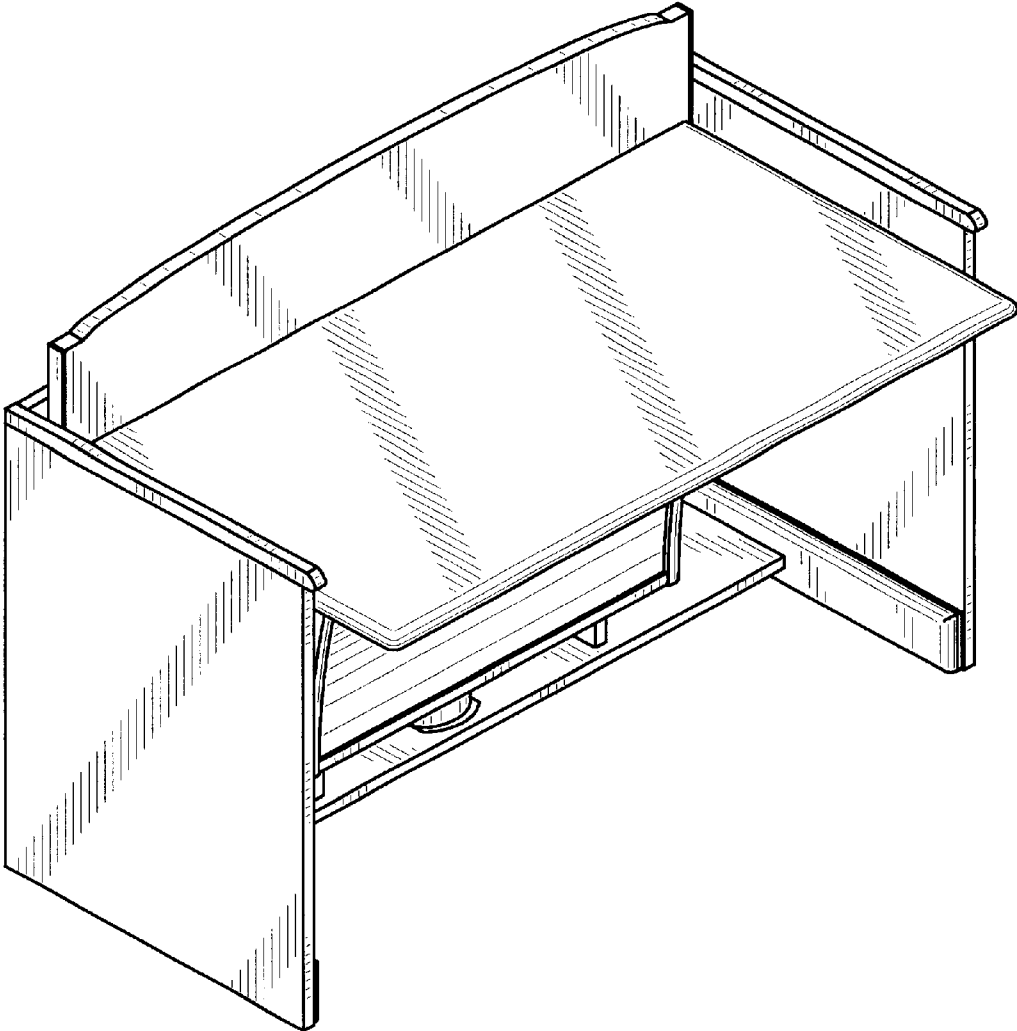


FIG. 1

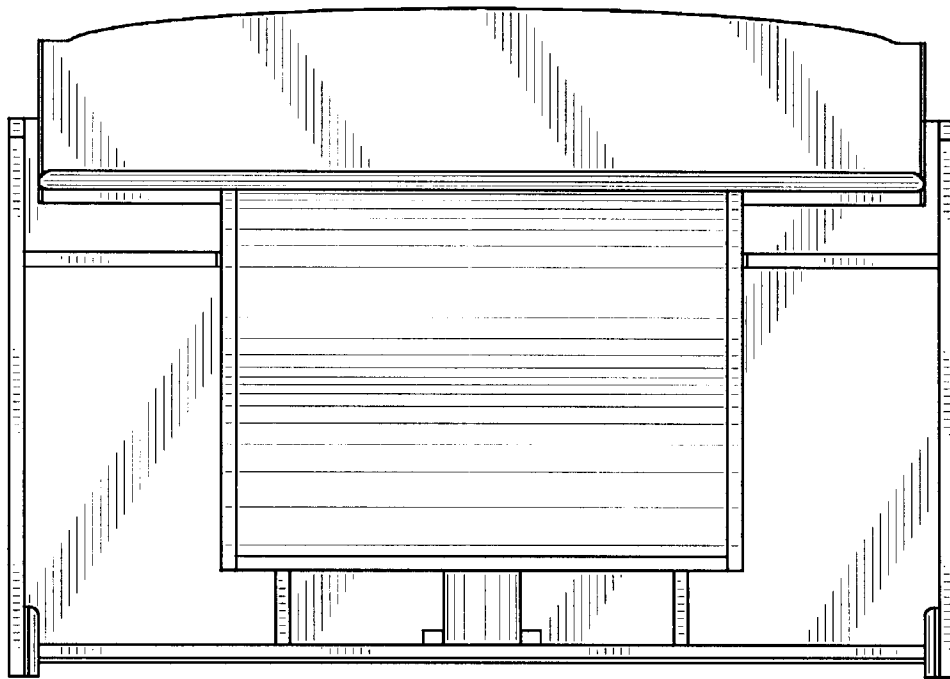


FIG. 2

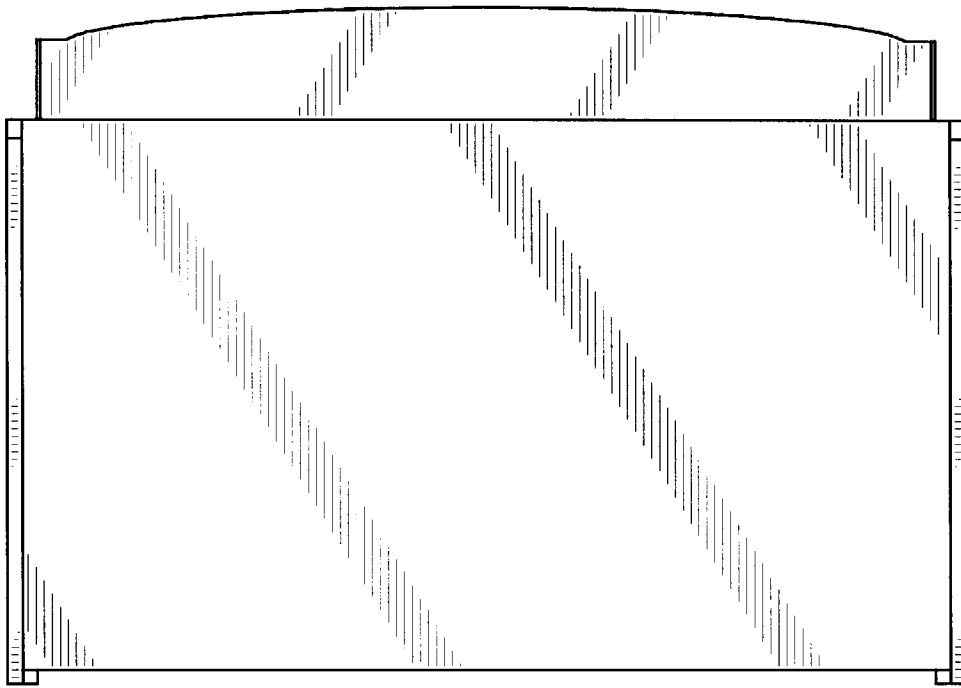


FIG. 3

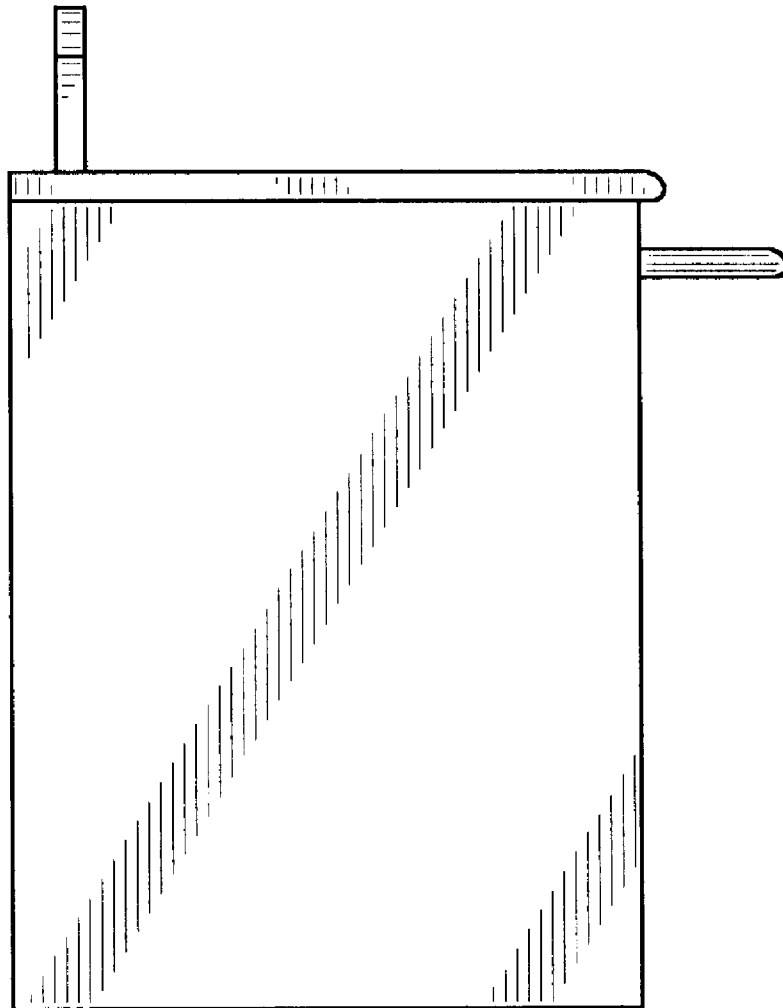


FIG. 4

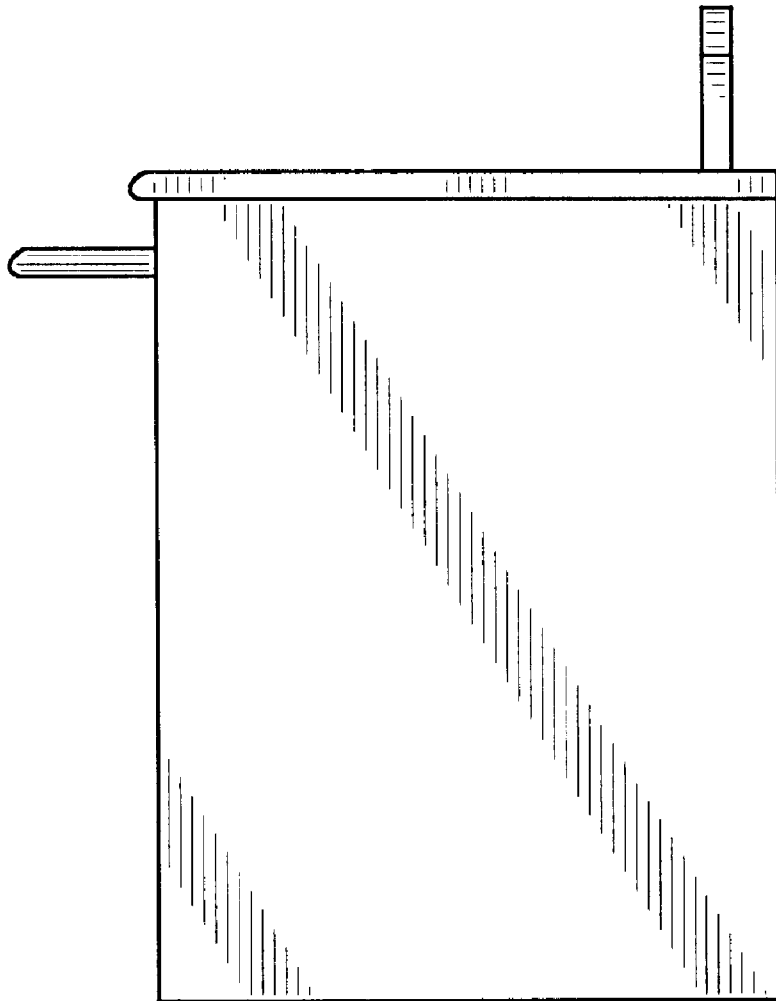


FIG. 5

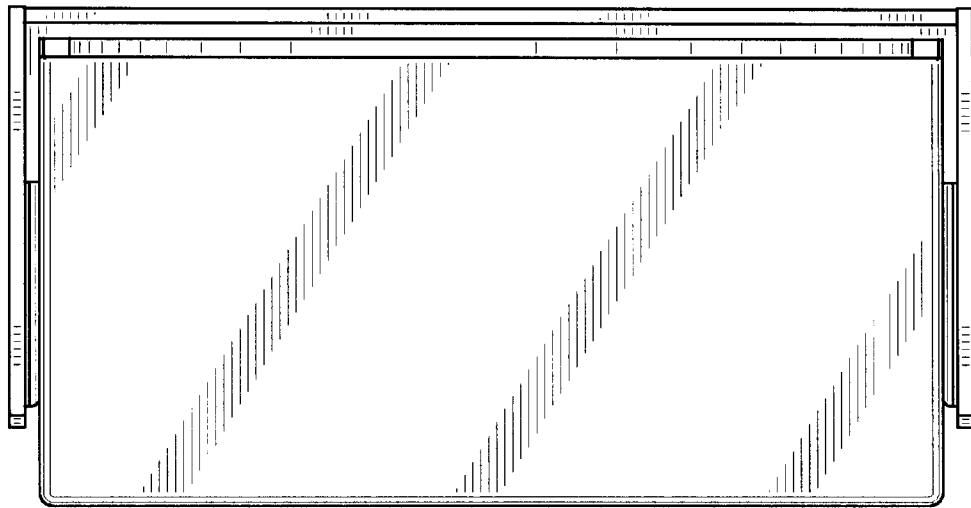


FIG. 6

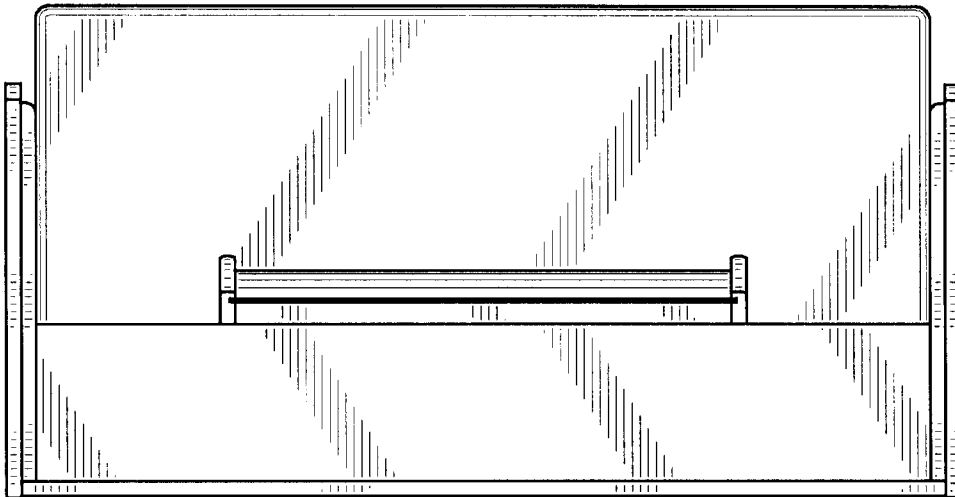


FIG. 7