



US00D985699S

(12) **United States Design Patent**
Lo

(10) **Patent No.:** **US D985,699 S**

(45) **Date of Patent:** **** May 9, 2023**

(54) **ELBOW COMPONENT OF COMBINED FOOTBALL GOAL FRAME**

(71) Applicant: **TRI-GREAT INTERNATIONAL LTD., Dongguan (CN)**

(72) Inventor: **Candy Lo, Dongguan (CN)**

(73) Assignee: **TRI-GREAT INTERNATIONAL LTD., Dongguan (CN)**

(**) Term: **15 Years**

(21) Appl. No.: **29/774,772**

(22) Filed: **Mar. 18, 2021**

(51) **LOC (14) Cl.** **21-02**

(52) **U.S. Cl.**
USPC **D21/699; D8/382; D23/263**

(58) **Field of Classification Search**
USPC D21/698, 699, 301, 302, 305, 701-705,
D21/715, 788, 801, 803, 808, 686, 691;
D23/259, 262-264, 266; D8/382
CPC . A63B 63/004; A63B 63/00; A63B 2063/005;
A63B 2063/001; A63B 2063/002; A63B
2063/008; A63B 2063/08; A63B 71/023;
A63B 61/00; A63B 69/002; A63B
69/0097; A63B 2225/60; A63B 2225/605;
F16L 41/00; F16L 41/023; F16L 41/02;
F16L 41/021; F16L 43/002; F16L 43/007;
F16L 43/008; Y10T 29/49442; Y10T
29/49444; Y10T 403/42; Y10T 403/00;
Y10T 403/32401; Y10T 403/32106; F16B
7/0413

See application file for complete search history.

(56) **References Cited**

U.S. PATENT DOCUMENTS

2,147,431 A * 2/1939 Ewing F16L 41/021
285/133.11
3,209,459 A * 10/1965 Fish, Jr. F16L 41/02
33/529

3,851,980 A * 12/1974 Worth F16B 7/0446
403/295
3,979,120 A * 9/1976 Dietrich A63B 63/004
403/229
4,258,923 A * 3/1981 Senoh A63B 63/004
473/478
4,346,740 A * 8/1982 Williams F16L 59/22
285/55
D315,788 S * 3/1991 Towsley D23/263
(Continued)

OTHER PUBLICATIONS

Forza Replacement Soccer Goal Parts. Date First Available: Feb. 7, 2020. Retrieved from internet: <<https://www.amazon.com/FORZA-Replacement-Weatherproof-Connectors-Stanchions/dp/B084J7MN5X?th=1>> [site visited Sep. 12, 2022] (Year: 2020).*

(Continued)

Primary Examiner — Katherine Glennon

Assistant Examiner — Yuan Yuan

(74) *Attorney, Agent, or Firm* — Leong C. Lei

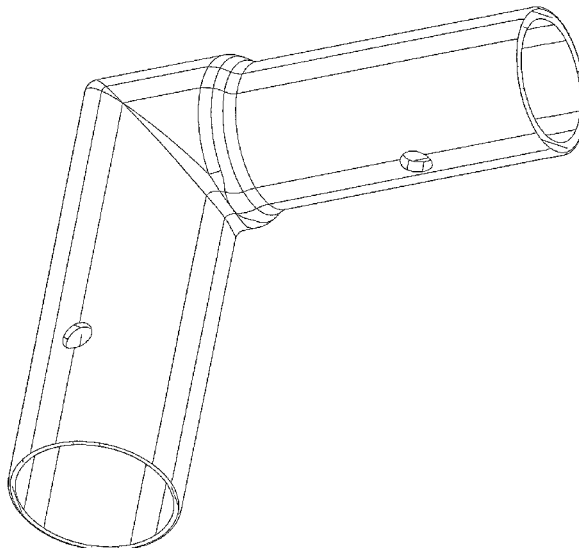
(57) **CLAIM**

The ornamental design for an elbow component of combined football goal frame, as shown and described.

DESCRIPTION

FIG. 1 is a perspective view of an elbow component of combined football goal frame, showing my present design; FIG. 2 is a front view thereof; FIG. 3 is a rear view thereof; FIG. 4 is a left side view thereof; FIG. 5 is a right side view thereof; FIG. 6 is a top view thereof; and, FIG. 7 is a bottom view thereof. The portions shown in broken lines form no part of the claimed design.

1 Claim, 7 Drawing Sheets



(56)

References Cited

U.S. PATENT DOCUMENTS

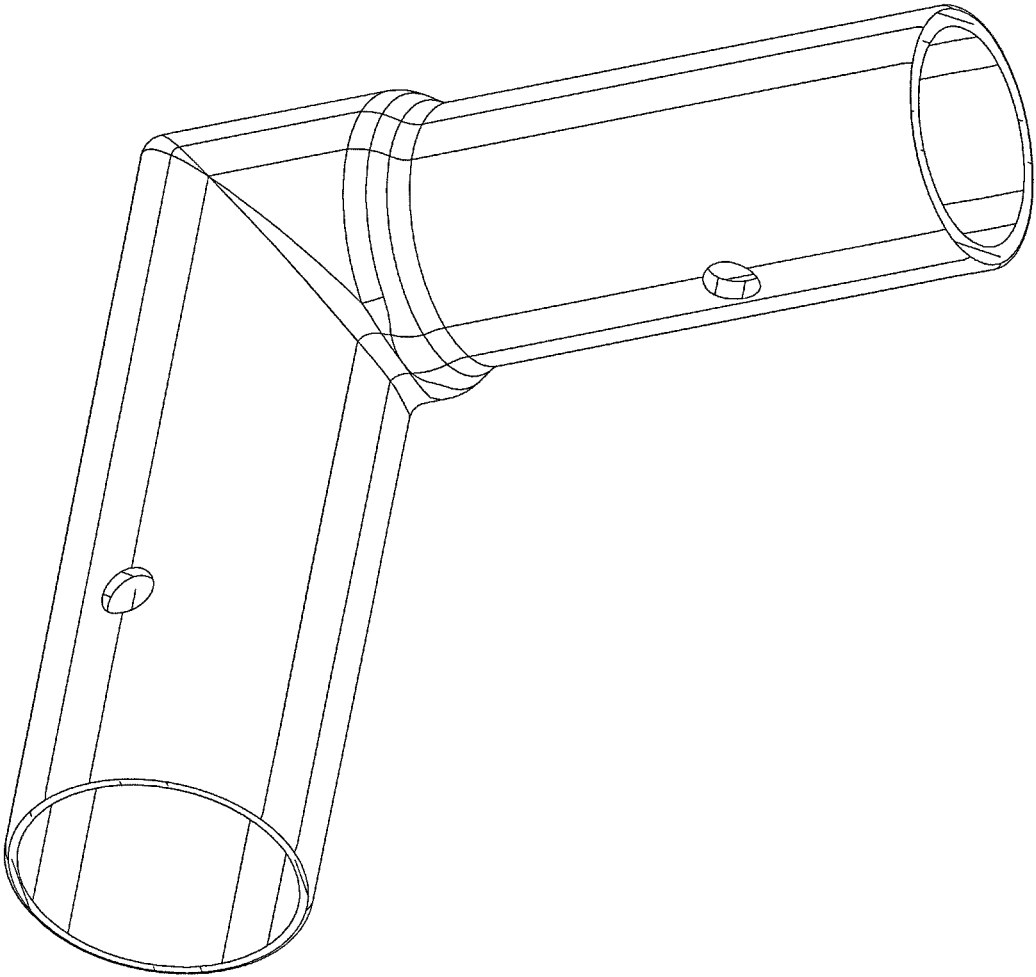
5,080,375 A * 1/1992 Moosavi A63B 63/004
473/478
5,539,957 A * 7/1996 Schmidt E05D 11/1007
5,566,952 A * 10/1996 Mullin A63B 63/004
273/400
5,681,045 A * 10/1997 Liao A63B 63/004
403/92
5,842,939 A * 12/1998 Pui A63B 63/004
273/400
5,944,318 A * 8/1999 Payton A63B 63/00
473/476
6,203,071 B1 * 3/2001 Kingsford F16L 43/008
285/18
6,371,873 B1 * 4/2002 Wang A63B 63/004
473/476
D478,938 S * 8/2003 Vande Hey D21/699
6,752,729 B1 * 6/2004 Huang A63B 63/004
473/476
7,278,935 B2 * 10/2007 Wilson A63B 71/028
273/127 R
D556,559 S * 12/2007 Jones D8/382
D606,388 S * 12/2009 Werschmidt D8/382
D634,818 S * 3/2011 Leroyer D23/263
8,657,521 B2 * 2/2014 Reeves F16B 7/042
403/314
D729,909 S * 5/2015 Castrigno D23/263
D731,880 S * 6/2015 Thrush D8/382

9,120,001 B2 * 9/2015 Huang A63B 63/004
D805,142 S * 12/2017 Metcalfe D21/699
D886,060 S * 6/2020 Liedhegner D13/110
10,844,587 B2 * 11/2020 Lombardo E03F 1/00
11,123,623 B1 * 9/2021 Melachrino A63B 63/00
11,148,027 B2 * 10/2021 Kam A63B 71/023
11,433,286 B1 * 9/2022 Beye A63B 67/06
11,441,716 B2 * 9/2022 Tamaribuchi F16L 47/32
2005/0189719 A1 * 9/2005 Goldwitz A63B 63/004
273/407
2006/0226607 A1 * 10/2006 Chen A63B 63/004
473/476
2010/0133804 A1 * 6/2010 Larkin F16L 55/1608
285/16
2011/0160005 A1 * 6/2011 Chen A63B 63/004
403/65
2012/0184399 A1 * 7/2012 Reeves F16B 7/0413
403/361
2014/0171233 A1 * 6/2014 Huang A63B 63/004
403/83
2016/0263455 A1 * 9/2016 Holland A63B 63/004
2021/0008424 A1 * 1/2021 Kam A63B 71/023

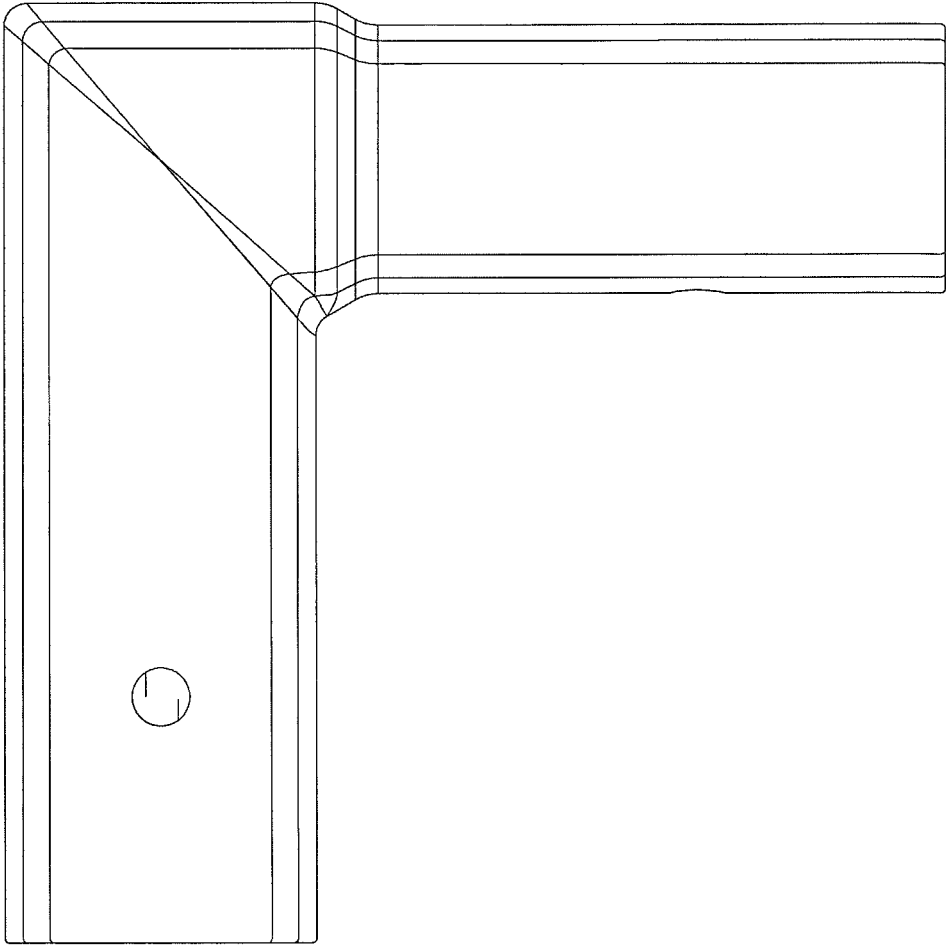
OTHER PUBLICATIONS

Football Flick Unisex—Youth Urban Goal. Date First Available: Sep. 18, 2019. Retrieved from internet: <<https://www.amazon.com/Football-Ultimate-Weather-integrated-strengthened/dp/B07Y2KSNPX?th=1>> [site visited Sep. 12, 2022] (Year: 2019).*

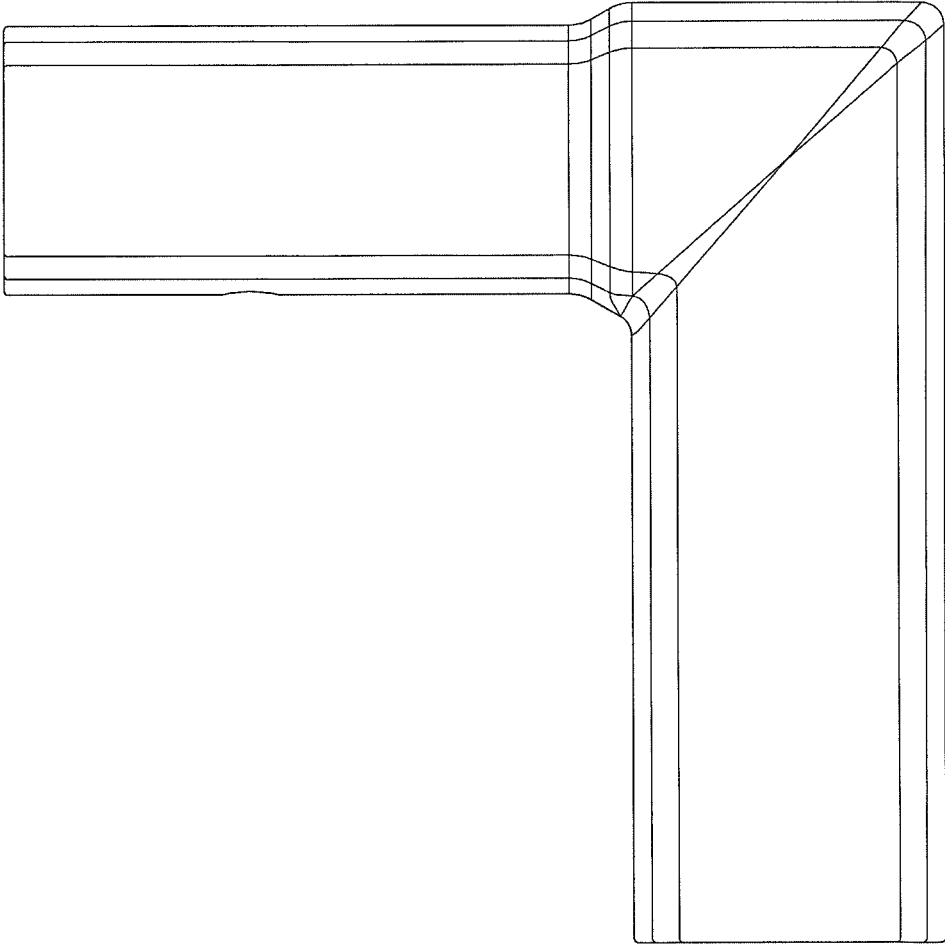
* cited by examiner



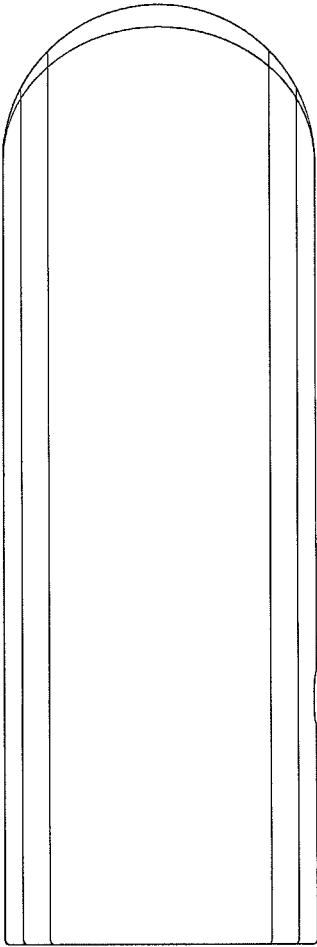
F I G. 1



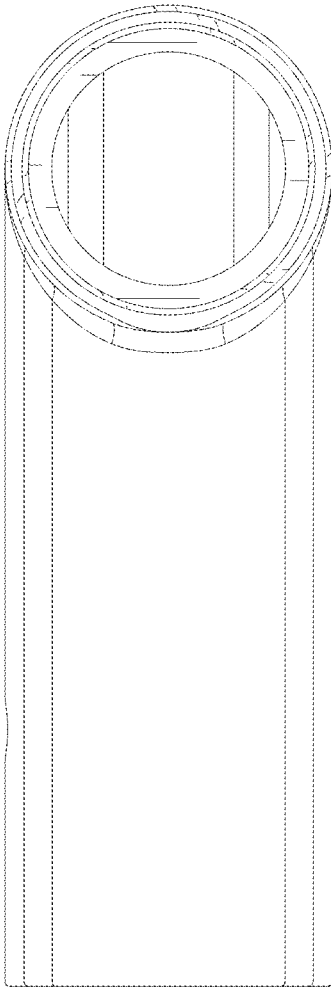
F I G. 2



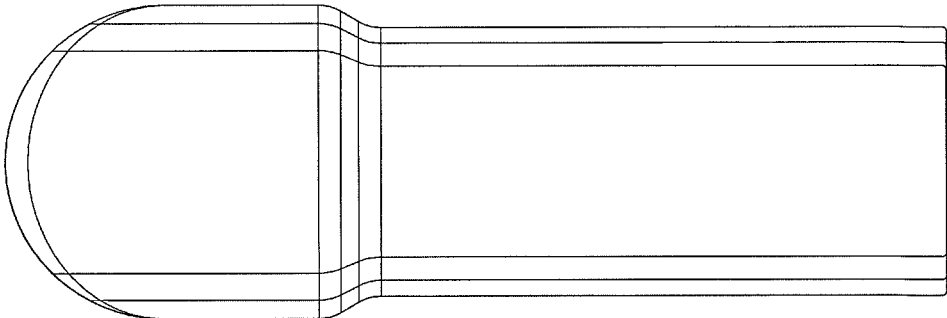
F I G. 3



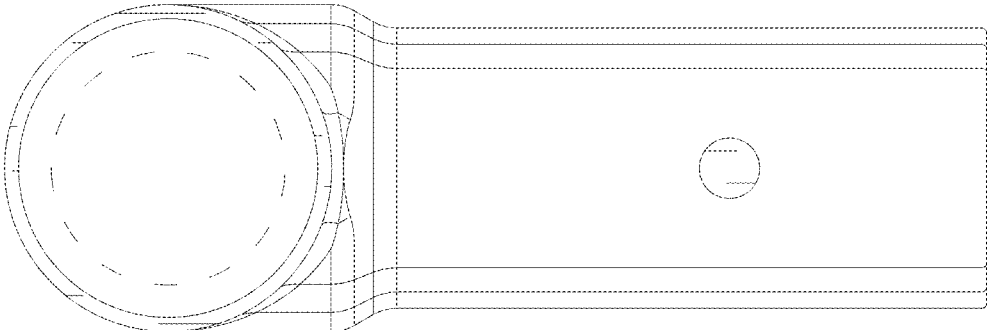
F I G . 4



F I G. 5



F I G. 6



F I G . 7