



US00D337967S

# United States Patent [19] Wright

[11] Patent Number: **Des. 337,967**

[45] Date of Patent: **\*\* Aug. 3, 1993**

[54] **BUTTON**

[76] Inventor: **Robert Wright, P.O. Box 763,  
Sturgis, Mich. 49091**

[\*\*] Term: **14 Years**

[21] Appl. No.: **551,729**

[22] Filed: **Jul. 12, 1990**

[52] U.S. Cl. .... **D11/226; D11/222**

[58] Field of Search ..... **D11/215, 222, 223, 224,  
D11/225, 226, 227, 228, 86, 215, 33, 53, 108, 31,  
201; 24/90 R, 90 A, 90 TA, 572, 580, 593;  
63/1.1, 2**

[56] **References Cited**

### U.S. PATENT DOCUMENTS

D. 53,376	5/1919	Rauch	.....	D11/201
D. 137,584	4/1944	Novick	.....	D11/227
D. 288,185	2/1987	Derosa	.....	D11/222
D. 309,280	7/1990	Balfanz-Lee	.....	D11/215
365,853	7/1887	Palmer	.....	63/1.1
1,058,845	4/1913	Cobbin	.....	63/1.1

1,382,739	6/1921	Patremio	.....	D11/53
2,128,533	8/1938	Howald	.....	D11/227
2,648,110	8/1953	Baskind	..	
2,799,910	7/1957	Weber	..	
3,979,802	9/1976	Bongartz	..	
4,793,155	12/1988	Law	.....	63/2

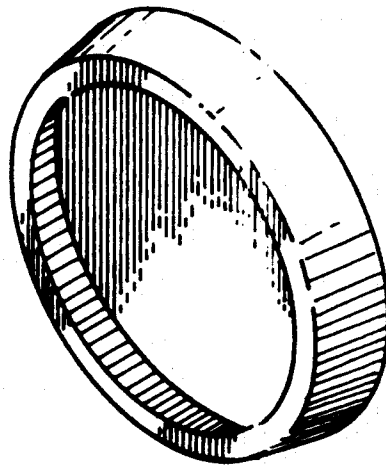
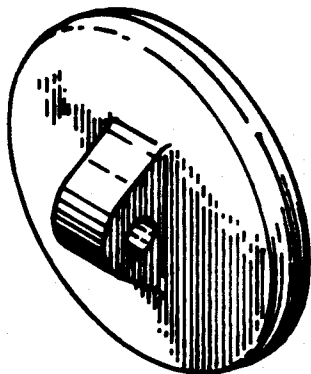
*Primary Examiner*—A. Hugo Word  
*Assistant Examiner*—R. Seifert  
*Attorney, Agent, or Firm*—Terry M. Gernstein

### [57] CLAIM

The ornamental design for a button, as shown and described.

### DESCRIPTION

FIG. 1 is an exploded perspective view of a button showing my new design;  
FIG. 2 is a front elevational view;  
FIG. 3 is a rear elevational view of the back element;  
FIG. 4 is a side elevational view of the back element;  
FIG. 5 is a side elevational view of the front element; and,  
FIG. 6 is a rear elevational view of FIG. 5.



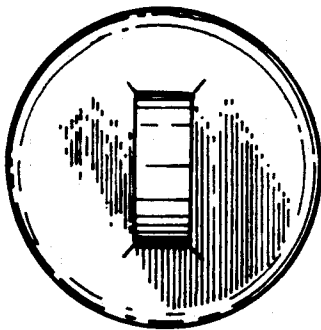
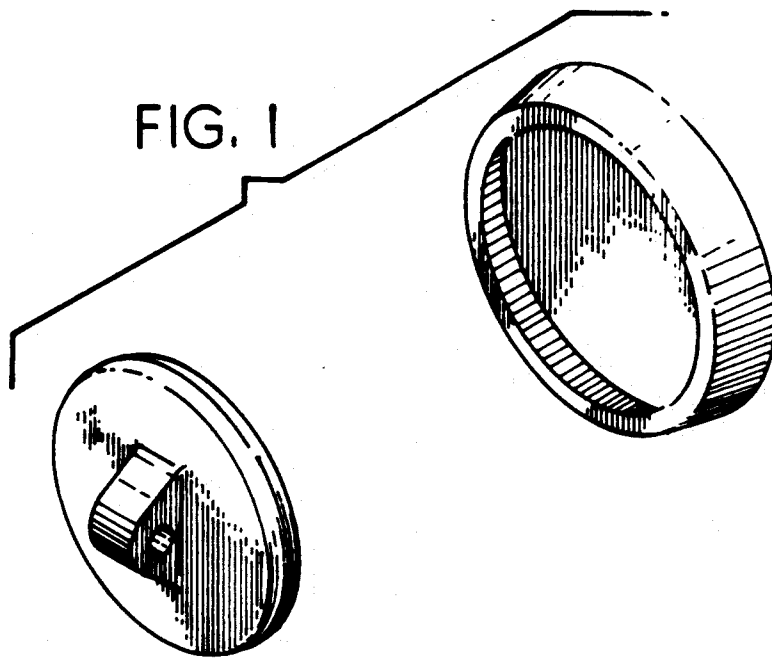


FIG. 3

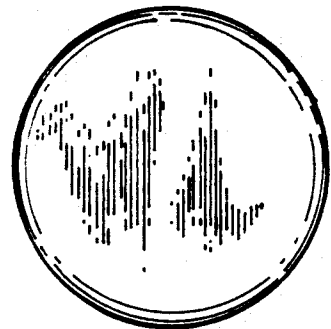


FIG. 2



FIG. 4

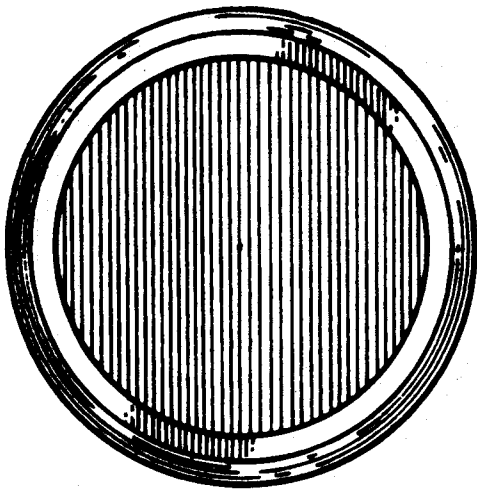


FIG. 6



FIG. 5