

(19) World Intellectual Property Organization International Bureau



(43) International Publication Date 21 April 2005 (21.04.2005)

PCT

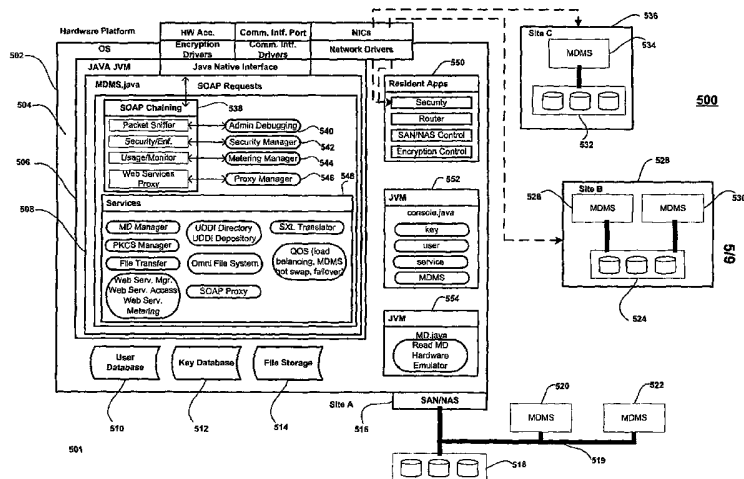
(10) International Publication Number WO 2005/036304 A3

- (51) International Patent Classification⁷: H04L 12/28, H04Q 7/38
- (21) International Application Number: PCT/US2004/013504
- (22) International Filing Date: 30 April 2004 (30.04.2004)
- (25) Filing Language: English
- (26) Publication Language: English
- (30) Priority Data:

60/507,197	29 September 2003 (29.09.2003)	US
60/506,918	29 September 2003 (29.09.2003)	US
60/506,919	29 September 2003 (29.09.2003)	US
60/506,925	29 September 2003 (29.09.2003)	US
60/543,735	22 January 2004 (22.01.2004)	US
60/538,763	22 January 2004 (22.01.2004)	US
60/538,915	22 January 2004 (22.01.2004)	US
60/538,767	22 January 2004 (22.01.2004)	US
- (71) Applicant (for all designated States except US): REALM SYSTEMS, INC. [US/US]; 4525 South Wasatch Boulevard, Suite 110, Salt Lake City, UT 84124 (US).
- (72) Inventors; and
- (75) Inventors/Applicants (for US only): BOOKMAN, Peter [US/US]; 721 East Shading Lane, Draper, UT 84020 (US). WHITE, Rick, Charles [US/US]; 3826 Thousand Oaks Circle, Salt Lake City, UT 84124 (US).
- (74) Agent: DELMASTER, Joseph, R., Jr.; Drinker Biddle & Reath LLP, One Logan Square, 18th and Cherry Streets, Philadelphia, PA 19103-6996 (US).
- (81) Designated States (unless otherwise indicated, for every kind of national protection available): AE, AG, AL, AM, AT, AU, AZ, BA, BB, BG, BR, BW, BY, BZ, CA, CH, CN, CO, CR, CU, CZ, DE, DK, DM, DZ, EC, EE, EG, ES, FI, GB, GD, GE, GH, GM, HR, HU, ID, IL, IN, IS, JP, KE, KG, KP, KR, KZ, LC, LK, LR, LS, LT, LU, LV, MA, MD, MG, MK, MN, MW, MX, MZ, NA, NI, NO, NZ, OM, PG, PH, PL, PT, RO, RU, SC, SD, SE, SG, SK, SL, SY, TJ, TM, TN, TR, TT, TZ, UA, UG, US, UZ, VC, VN, YU, ZA, ZM, ZW.
- (84) Designated States (unless otherwise indicated, for every kind of regional protection available): ARIPO (BW, GH, GM, KE, LS, MW, MZ, NA, SD, SL, SZ, TZ, UG, ZM, ZW), Eurasian (AM, AZ, BY, KG, KZ, MD, RU, TJ, TM), European (AT, BE, BG, CH, CY, CZ, DE, DK, EE, ES, FI,

[Continued on next page]

(54) Title: MOBILITY DEVICE SERVER



(57) Abstract: A mobility device management server (MDMS) (502) for use as part of a mobility device platform (400) allowing for secure mobile computing is provided. In an illustrative implementation, an exemplary mobility device platform (MDP) (400) comprises a mobility device (MD) (405) operable to communicate with at least one computing environment through a communications interface (410) and wherein the MD (405) is operable to process and store secure web services(430), a communications network (435) operable to communicate data and computing applications (180) using web services (430), and a MDMS (502) operable to generate, process, store, communicate and encrypt web services (430) to the MD (405). Further, the MDMS (502) is operable to perform one or more mobility device management functions to provide encryption keys (552) to cooperating MDs (405) and to authenticate and verify cooperating MDs (405) requesting web services (430) from the MDMS (502). The MDMS (502) further may operate to perform metering functions and may operate to support intermittent connections between itself and cooperating MDs (405).

WO 2005/036304 A3



FR, GB, GR, HU, IE, IT, LU, MC, NL, PL, PT, RO, SE, SI,
SK, TR), OAPI (BF, BJ, CF, CG, CI, CM, GA, GN, GQ,
GW, ML, MR, NE, SN, TD, TG).

(88) Date of publication of the international search report:
30 June 2005

Published:

- with international search report
- before the expiration of the time limit for amending the claims and to be republished in the event of receipt of amendments

For two-letter codes and other abbreviations, refer to the "Guidance Notes on Codes and Abbreviations" appearing at the beginning of each regular issue of the PCT Gazette.

INTERNATIONAL SEARCH REPORT

International application No.

PCT/US04/13504

A. CLASSIFICATION OF SUBJECT MATTER

IPC(7) : H04L 12/28 H04Q7/38
 US CL : 415/200, 206, 90, 110, 112; 416/181, 182, 179, 185, 223B

According to International Patent Classification (IPC) or to both national classification and IPC

B. FIELDS SEARCHED

Minimum documentation searched (classification system followed by classification symbols)
 U.S. : 415/200, 206, 90, 110, 112; 416/181, 182, 179, 185, 223B; 709/FOR 106

Documentation searched other than minimum documentation to the extent that such documents are included in the fields searched

Electronic data base consulted during the international search (name of data base and, where practicable, search terms used)

C. DOCUMENTS CONSIDERED TO BE RELEVANT

Category *	Citation of document, with indication, where appropriate, of the relevant passages	Relevant to claim No.
X	US 6,356,905 A (Gershman et al) 12 March 2004 (12.03.2004), see entire document, especially col 34 lines 5+ (authentication).	20 - 26
---		-----
Y		1 - 19
Y	US 6,604,101 A (Chan et al) 5 August 2003 (8.05.2003), see Abstract, lines 3+.	1 - 19

Further documents are listed in the continuation of Box C.

See patent family annex.

* Special categories of cited documents:

- "A" document defining the general state of the art which is not considered to be of particular relevance
- "E" earlier application or patent published on or after the international filing date
- "L" document which may throw doubts on priority claim(s) or which is cited to establish the publication date of another citation or other special reason (as specified)
- "O" document referring to an oral disclosure, use, exhibition or other means
- "P" document published prior to the international filing date but later than the priority date claimed

- "T" later document published after the international filing date or priority date and not in conflict with the application but cited to understand the principle or theory underlying the invention
- "X" document of particular relevance; the claimed invention cannot be considered novel or cannot be considered to involve an inventive step when the document is taken alone
- "Y" document of particular relevance; the claimed invention cannot be considered to involve an inventive step when the document is combined with one or more other such documents, such combination being obvious to a person skilled in the art
- "&" document member of the same patent family

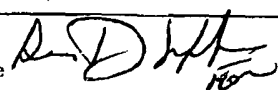
Date of the actual completion of the international search

Date of mailing of the international search report

27 January 2005 (27.01.2005)

04 MAY 2005

Name and mailing address of the ISA/US
 Mail Stop PCT, Attn: ISA/US
 Commissioner for Patents
 P.O. Box 1450
 Alexandria, Virginia 22313-1450
 Facsimile No. (703) 305-3230

Authorized officer
 Kenneth Vanderpuye 
 Telephone No. 703-305-3900