



US00D937988S

(12) **United States Design Patent**
Smith

(10) **Patent No.:** **US D937,988 S**

(45) **Date of Patent:** **** Dec. 7, 2021**

(54) **SPOUT**

(71) Applicant: **DELTA FAUCET COMPANY,**
Indianapolis, IN (US)

(72) Inventor: **Logan Smith,** Louisville, KY (US)

(73) Assignee: **DELTA FAUCET COMPANY,**
Indianapolis, IN (US)

(**) Term: **15 Years**

(21) Appl. No.: **29/726,735**

(22) Filed: **Mar. 5, 2020**

(51) **LOC (13) Cl.** **23-01**

(52) **U.S. Cl.**
USPC **D23/255**

(58) **Field of Classification Search**
USPC D23/238-243, 249, 309, 250, 252, 254,
D23/255, 256, 257, 245; D8/300, 307,
D8/308
CPC Y10T 137/9464; E03C 1/00; E03C 1/02;
E03C 1/04; E03C 1/0412; E03C 1/042;
E03C 1/044; E03C 1/048; E03C 1/05;
E03C 1/052

See application file for complete search history.

(56) **References Cited**

U.S. PATENT DOCUMENTS

D282,197 S *	1/1986	Hu	D23/241
D295,065 S *	4/1988	Fabian	D23/255
D296,354 S *	6/1988	Fabian	D23/257
D317,971 S *	7/1991	Sauter	D23/241
D321,039 S *	10/1991	Robbins	D23/255
D331,796 S *	12/1992	Spangler	D23/241
D381,397 S *	7/1997	Steffes	D23/238
D417,265 S *	11/1999	Starck	D23/241
D418,905 S *	1/2000	Meda	D23/241

D511,562 S *	11/2005	Ouyoung	D23/241
D577,419 S *	9/2008	Urquiola	D23/238
D632,364 S *	2/2011	Choi	D23/238
D830,517 S *	10/2018	Zhang	D23/238
D848,579 S *	5/2019	Garland	D23/255

FOREIGN PATENT DOCUMENTS

JP D2005-28012 * 9/2005

OTHER PUBLICATIONS

Amazon, Hapilife Contemporary Kitchen Tap, posted Aug. 16, 2016, [online], [visited Jul. 28, 2021]. Internet, <URL: https://www.amazon.co.uk/Finished-Hapilife-Contemporary-Monobloc-Hapi-03D/dp/B01KHF0B56/ref> (Year: 2016).*

(Continued)

Primary Examiner — Sheryl Lane

Assistant Examiner — Samantha N Wood

(74) *Attorney, Agent, or Firm* — Nirav D. Parikh; Edgar A. Zarins

(57) **CLAIM**

The ornamental design for a spout, as shown and described.

DESCRIPTION

FIG. 1 is a front perspective view of a spout showing my new design;

FIG. 2 is a rear perspective view thereof;

FIG. 3 is a front elevational view thereof;

FIG. 4 is a left side view thereof;

FIG. 5 is a rear view thereof;

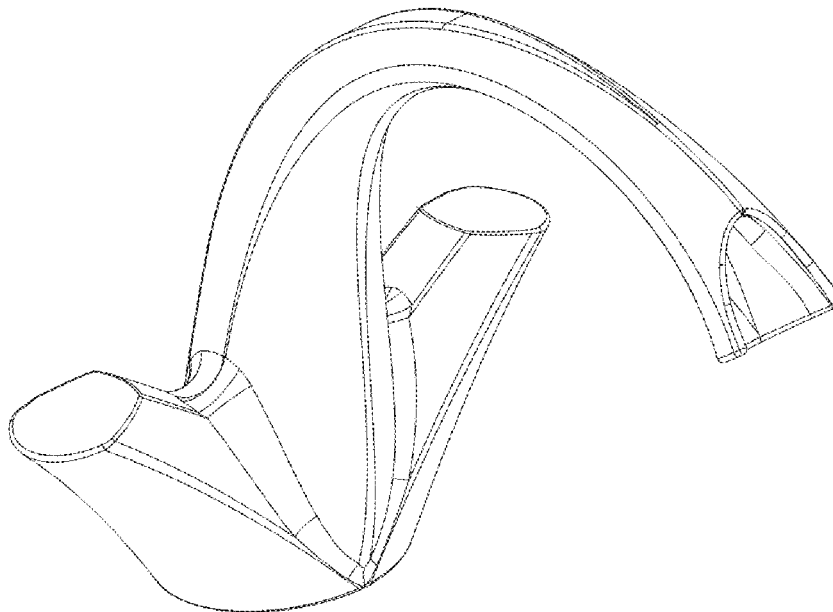
FIG. 6 is a right side view thereof;

FIG. 7 is a top plan view thereof; and,

FIG. 8 is a bottom view thereof.

The broken lines are included for the purpose of portions of the article and form no part of the claimed design.

1 Claim, 4 Drawing Sheets



(56)

References Cited

OTHER PUBLICATIONS

Amazon, Bristan DX BAS C Basin Mixer, posted Aug. 21, 2013, [online], [visited Jul. 28, 2021]. Internet, <URL: <https://www.amazon.co.uk/Bristan-DX-BAS-Decade-Basin/dp/B00EOELUW0/ref>> (Year: 2013).*

Amazon, Funime Kitchen Mixer, posted Dec. 6, 2016, [online], [visited Jul. 28, 2021]. Internet, <URL: <https://www.amazon.co.uk/Funime%C2%AE-Kitchen-Monobloc-Swivel-Chrome/dp/B01NBH5H6O/ref>> (Year: 2016).*

* cited by examiner

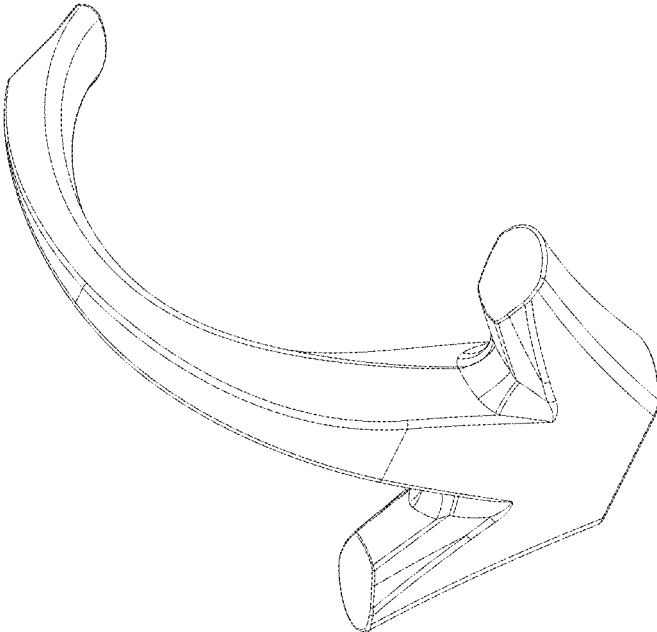


FIG-2

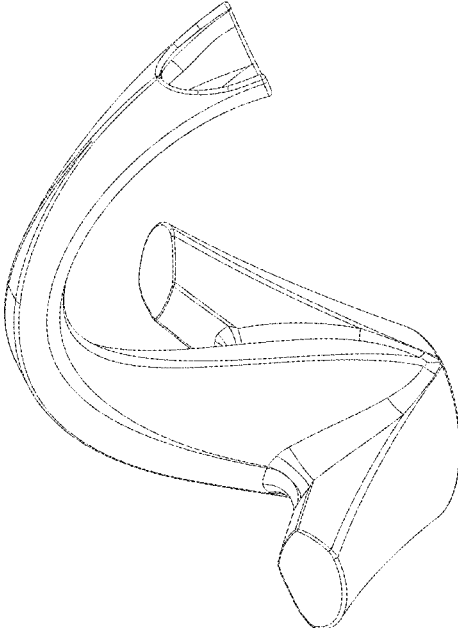


Fig-1

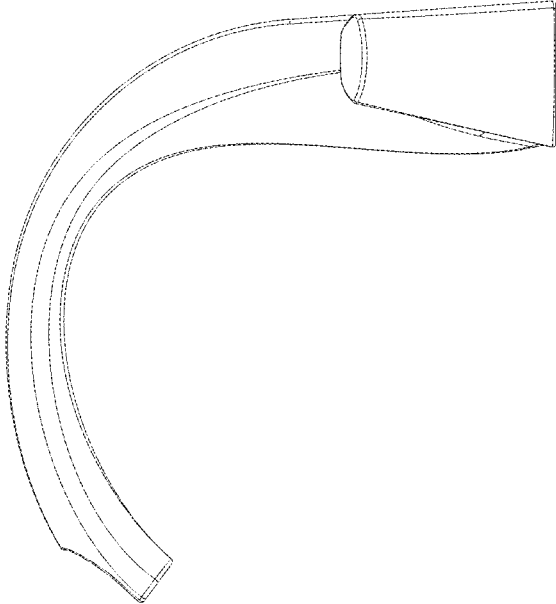


FIG-4

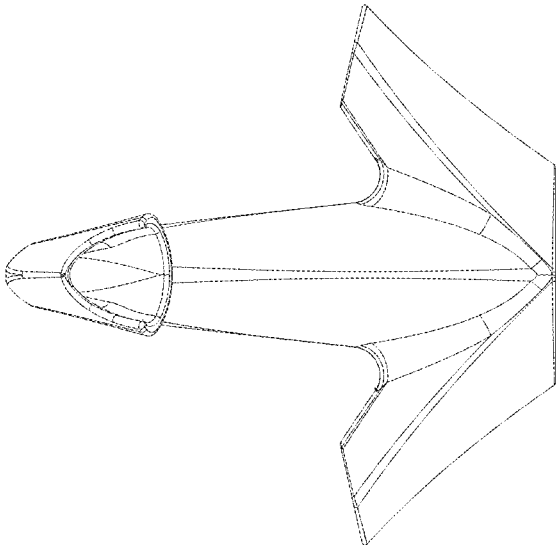


FIG-3

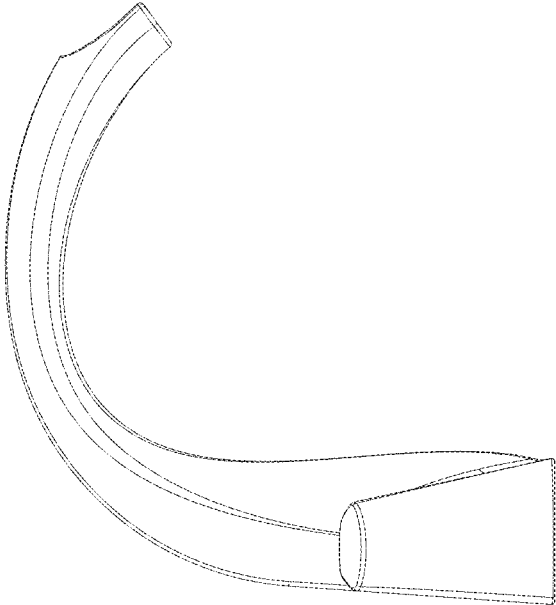


FIG-6

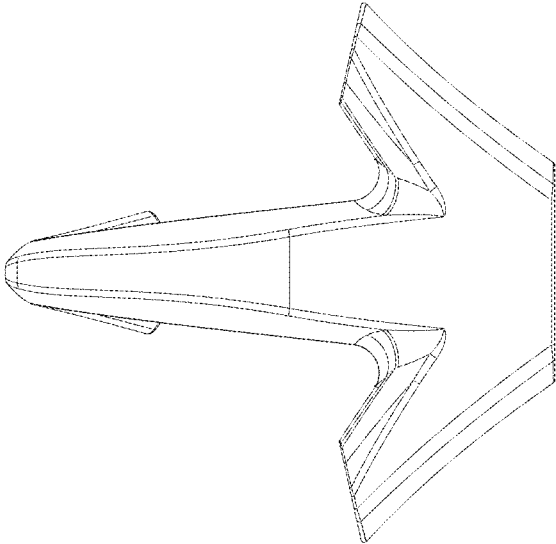


FIG-5

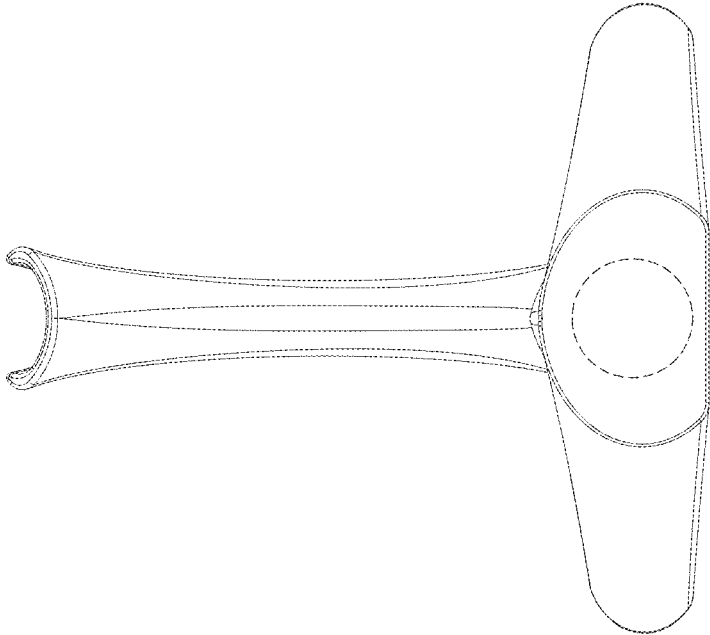


FIG-8

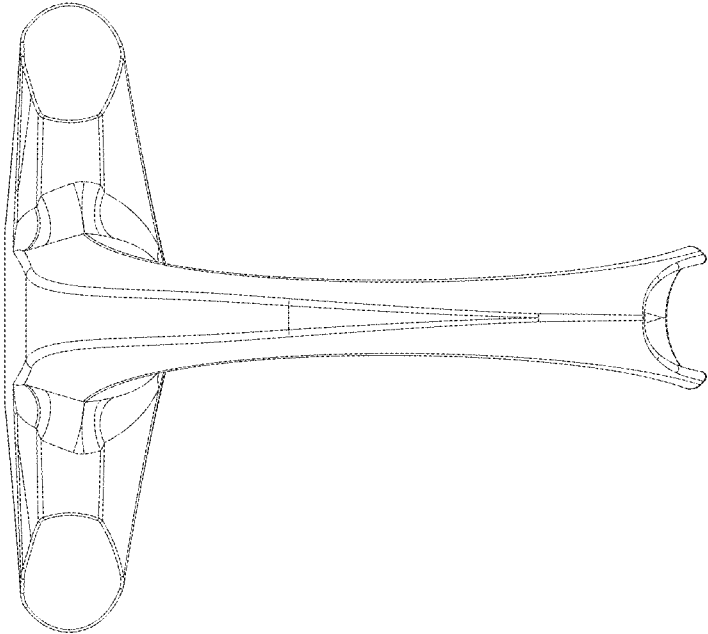


FIG-7