



US00D869704S

(12) **United States Design Patent**
Wu

(10) **Patent No.:** **US D869,704 S**

(45) **Date of Patent:** **** Dec. 10, 2019**

- (54) **VEHICLE LIGHT**
- (71) Applicant: **COPLUS INC.**, Tainan (TW)
- (72) Inventor: **Po-Hua Wu**, Tainan (TW)
- (73) Assignee: **Coplus Inc.**, Tainan (TW)
- (**) Term: **15 Years**
- (21) Appl. No.: **29/657,520**
- (22) Filed: **Jul. 23, 2018**

D688,400 S *	8/2013	Haumann	D26/28
D716,477 S *	10/2014	Chu	D26/28
D718,478 S *	11/2014	Adams	D26/28

* cited by examiner

Primary Examiner — Marcus A Jackson

(74) *Attorney, Agent, or Firm* — Lewis Roca Rothgerber Christie LLP

(30) **Foreign Application Priority Data**

Mar. 1, 2018 (TW) 107301209

(51) **LOC (12) Cl.** **26-06**

(52) **U.S. Cl.**
USPC **D26/28**

(58) **Field of Classification Search**
USPC D26/28–36, 139
CPC F21S 48/00; F21S 48/10; F21S 48/115;
F21S 48/225; F21S 48/1233; F21S
48/1266; F21S 48/1388; F21S 48/2268;
F21V 21/04; B60Q 9/13; B60Q 9/135;
B60Q 9/1375

See application file for complete search history.

(56) **References Cited**

U.S. PATENT DOCUMENTS

D490,172 S *	5/2004	Yamamoto	D26/28
D564,683 S *	3/2008	Roach	D26/28
D626,670 S *	11/2010	Metzger	D26/28

(57) **CLAIM**

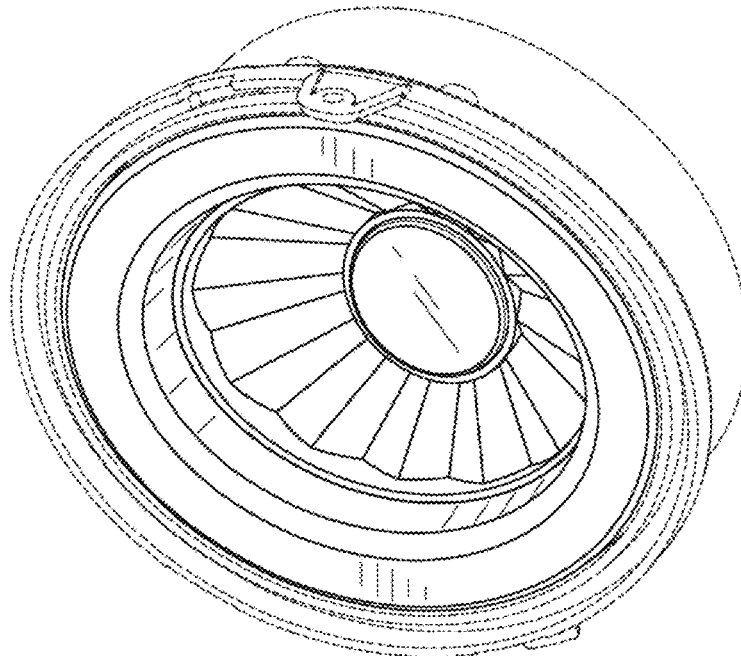
The ornamental design for a vehicle light, as shown and described.

DESCRIPTION

FIG. 1 is a perspective view of a vehicle light;
FIG. 2 is a front view thereof;
FIG. 3 is a rear view thereof;
FIG. 4 is a left side view thereof;
FIG. 5 is a right side view thereof;
FIG. 6 is a top view thereof; and,
FIG. 7 is a bottom view thereof.

The broken lines in the drawings are for illustrative purpose only and form no part of the claimed design.

1 Claim, 5 Drawing Sheets



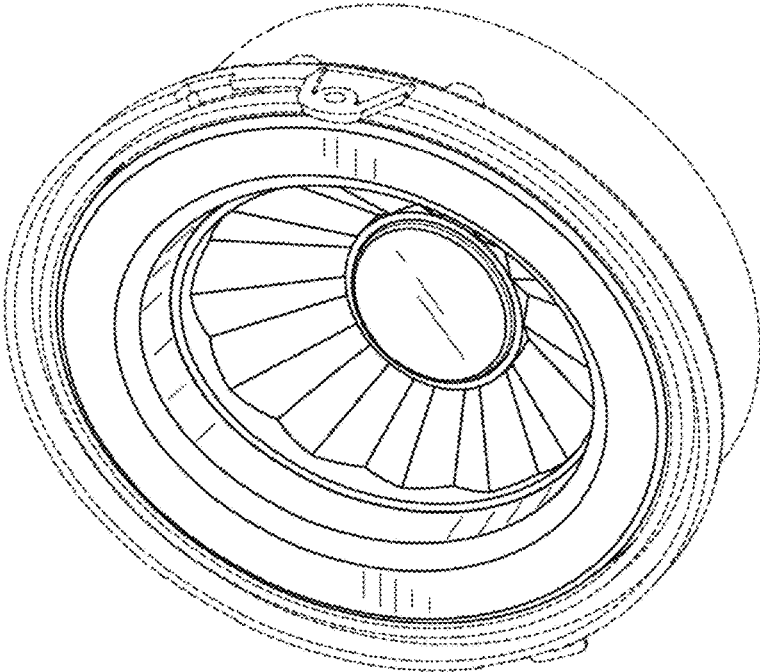


FIG. 1

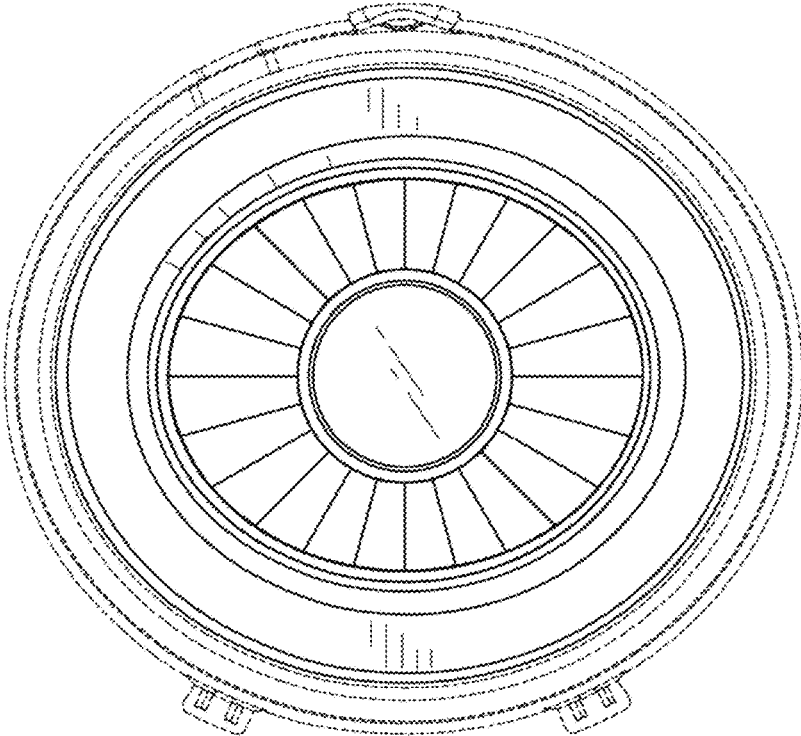


FIG. 2

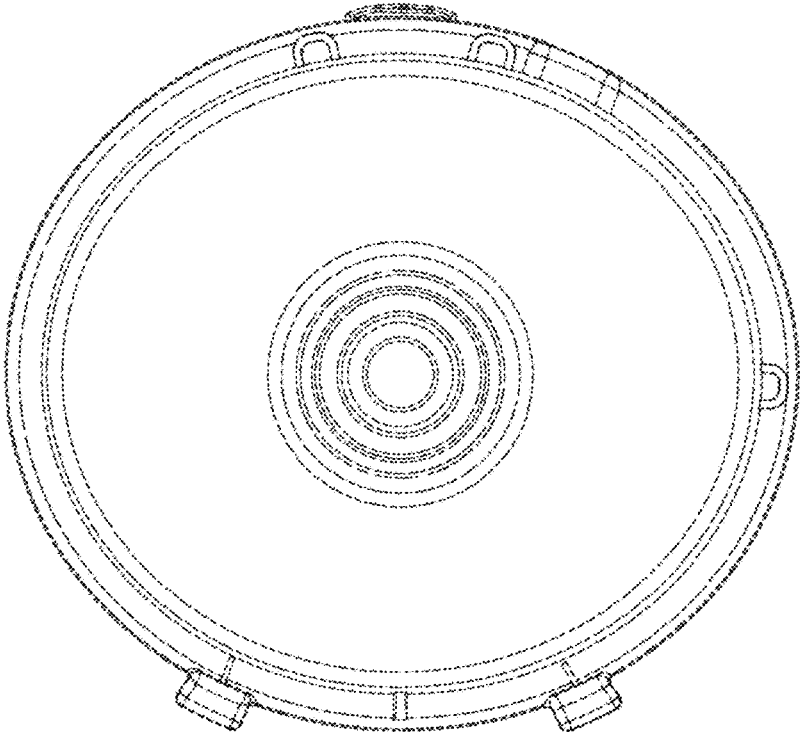


FIG. 3

FIG. 4

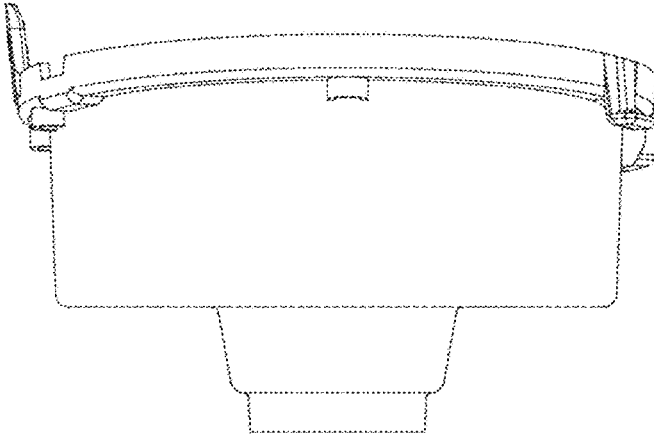
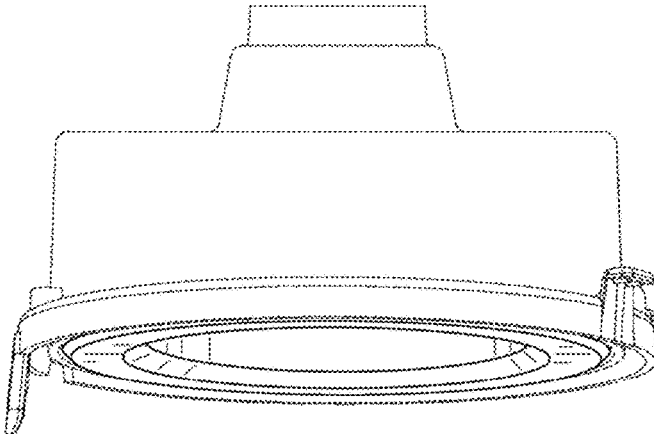


FIG. 5

FIG. 6

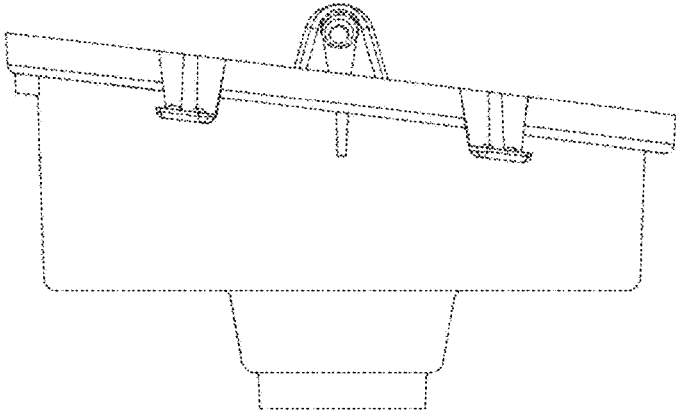
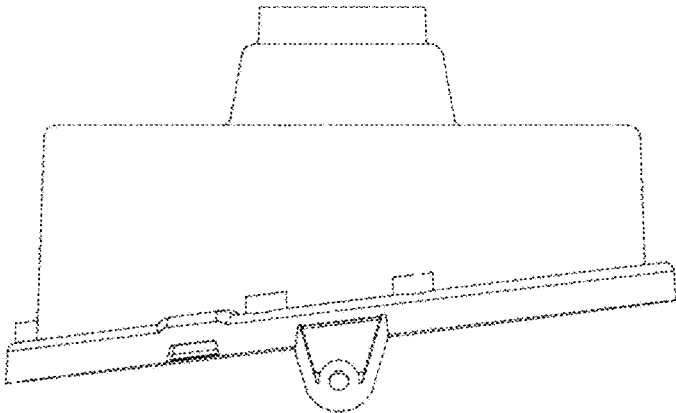


FIG. 7