

(12) **United States Design Patent**
Claudin

(10) **Patent No.:** **US D1,009,599 S**
(45) **Date of Patent:** **** Jan. 2, 2024**

- (54) **DECK INSTALLATION TRACK**
- (71) Applicant: **IHWII, Inc.**, Golden, CO (US)
- (72) Inventor: **Mark Claudin**, Lakewood, CO (US)
- (73) Assignee: **SIMPLY DECK**, Lakewood, CO (US)
- (**) Term: **15 Years**
- (21) Appl. No.: **29/699,102**
- (22) Filed: **Jul. 23, 2019**

D451,785 S *	12/2001	Chaney	D8/354
8,739,489 B2 *	6/2014	Weber	E04F 11/1846
			52/510
D810,550 S *	2/2018	Haynie	D8/372
10,577,807 B2 *	3/2020	Doupe	E04B 5/026
10,889,994 B1 *	1/2021	Schneider	E04F 13/0862
D910,422 S *	2/2021	Lee	D8/354
2011/0067335 A1 *	3/2011	Gibson	E04F 15/10
			52/489.2
2013/0025228 A1	1/2013	Kilgore et al.	
2015/0075111 A1 *	3/2015	Claudin	E04B 1/40
			52/745.13

* cited by examiner

Related U.S. Application Data

- (63) Continuation of application No. 15/861,058, filed on Jan. 3, 2018, now abandoned, which is a continuation of application No. 15/221,463, filed on Jul. 27, 2016, now abandoned, which is a continuation of application No. 14/480,172, filed on Sep. 8, 2014, now Pat. No. 9,416,546, which is a continuation-in-part of application No. 29/411,646, filed on Jan. 24, 2012, now abandoned.

Primary Examiner — Keli L Hill
Assistant Examiner — Harold E Blackwell, II
(74) *Attorney, Agent, or Firm* — Rogue.law; Laura Schneider

(57) **CLAIM**

The ornamental design for a deck installation track, as shown and described.

- (51) **LOC (14) Cl.** **08-05**
- (52) **U.S. Cl.**
USPC **D8/354**
- (58) **Field of Classification Search**
USPC D12/317, 318; D8/354, 349, 366, 356, D8/373, 376, 377, 380
CPC E04F 13/0803; E04F 13/24
See application file for complete search history.

DESCRIPTION

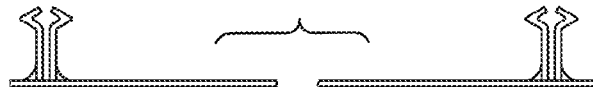
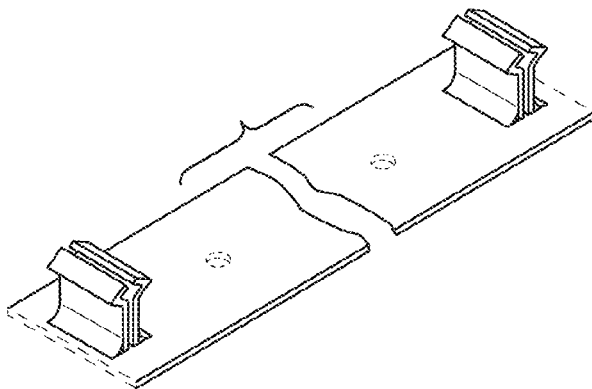
FIG. 1 is a perspective view of deck installation track; FIG. 2 is a top view of the deck installation track; FIG. 3 is a bottom view of the deck installation track; FIG. 4 is a front view of the deck installation track; and, FIG. 5 is a side view of the deck installation track. The figures illustrate a deck installation track. The broken lines in the drawings illustrate portions of a deck installation track which form no part of the claimed design. The deck installation track is shown with a symbolic break in its length. The appearance of any portion of the article between the break lines forms no part of the claimed design.

(56) **References Cited**

U.S. PATENT DOCUMENTS

5,735,097 A *	4/1998	Cheyne	E04B 5/026
			52/489.1
6,233,886 B1	5/2001	Andres	

1 Claim, 1 Drawing Sheet



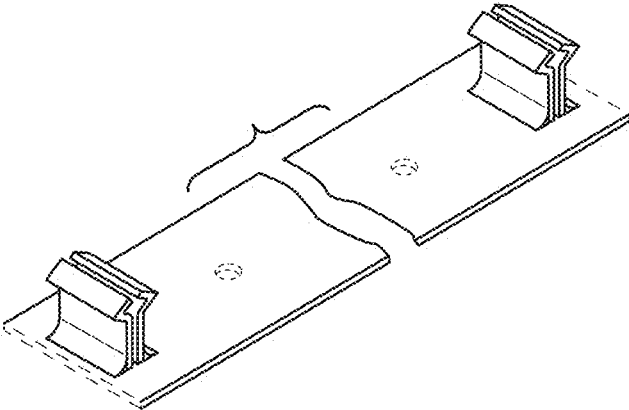


FIG. 1

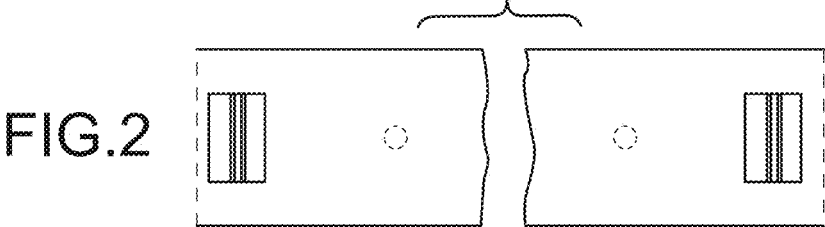


FIG. 2

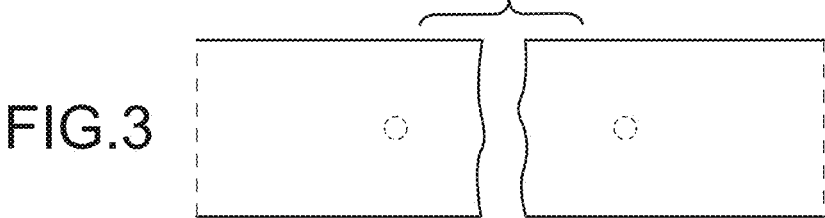


FIG. 3



FIG. 4

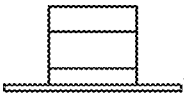


FIG. 5