



US00D472384S

(12) **United States Design Patent** (10) **Patent No.:** **US D472,384 S**  
**Richardson** (45) **Date of Patent:** **\*\* Apr. 1, 2003**

(54) **WEATHER PROOF BOX**

D429,884 S \* 8/2000 Zurwelle et al. .... D3/281  
D439,407 S \* 3/2001 Parker ..... D3/276

(75) Inventor: **Curtis R. Richardson**, Fort Collins,  
CO (US)

\* cited by examiner

(73) Assignee: **Otter Products, LLC**, Fort Collins, CO  
(US)

*Primary Examiner*—Philip S. Hyder  
(74) *Attorney, Agent, or Firm*—Russell S. Krajec

(\*\*) Term: **14 Years**

(57) **CLAIM**

(21) Appl. No.: **29/150,779**

The ornamental design for a weather proof box, as shown  
and described.

(22) Filed: **Nov. 28, 2001**

**DESCRIPTION**

(51) **LOC (7) Cl.** ..... **03-01**

(52) **U.S. Cl.** ..... **D3/273**

(58) **Field of Search** ..... D3/201, 272, 273,  
D3/276, 281, 282, 294; D9/420, 423, 424;  
206/349, 372, 373, 508; 190/100, 110,  
111, 109; 220/334, 338, 344

FIG. 1 is an isometric view of a weather proof box showing  
my new design;

FIG. 2 is a top plan view thereof;

FIG. 3 is a front elevational view thereof;

FIG. 4 is a right side elevational view thereof;

FIG. 5 is a left side elevational view thereof;

FIG. 6 is a rear elevational view thereof;

FIG. 7 is a bottom plan view thereof;

FIG. 8 is an isometric view of a second embodiment of a  
weather proof box showing my new design;

FIG. 9 is a top plan view thereof;

FIG. 10 is a front elevational view thereof;

FIG. 11 is a right side elevational view thereof;

FIG. 12 is a left side elevational view thereof;

FIG. 13 is a rear elevational view thereof; and,

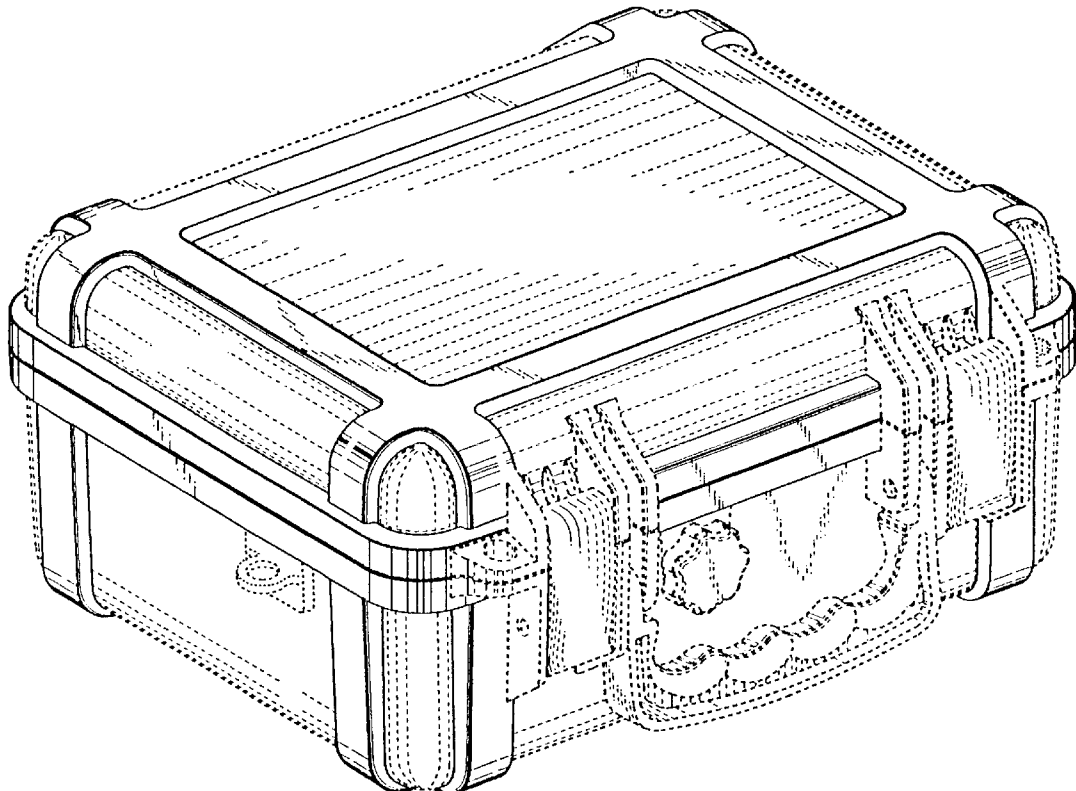
FIG. 14 is a bottom plan view thereof.

(56) **References Cited**

**U.S. PATENT DOCUMENTS**

D275,822 S \* 10/1984 Gatland et al. .... D3/282  
D347,324 S \* 5/1994 Dickinson ..... D3/272  
D353,048 S \* 12/1994 VanSkiver et al. .... D3/276  
D413,202 S \* 8/1999 Schmidt et al. .... D3/276  
D413,203 S \* 8/1999 Zurwelle et al. .... D3/276  
D419,297 S \* 1/2000 Richardson et al. .... D3/273  
D419,767 S \* 2/2000 Richardson et al. .... D3/273  
D419,768 S \* 2/2000 Richardson et al. .... D3/273  
D423,772 S \* 5/2000 Cooper et al. .... D3/218

**1 Claim, 14 Drawing Sheets**



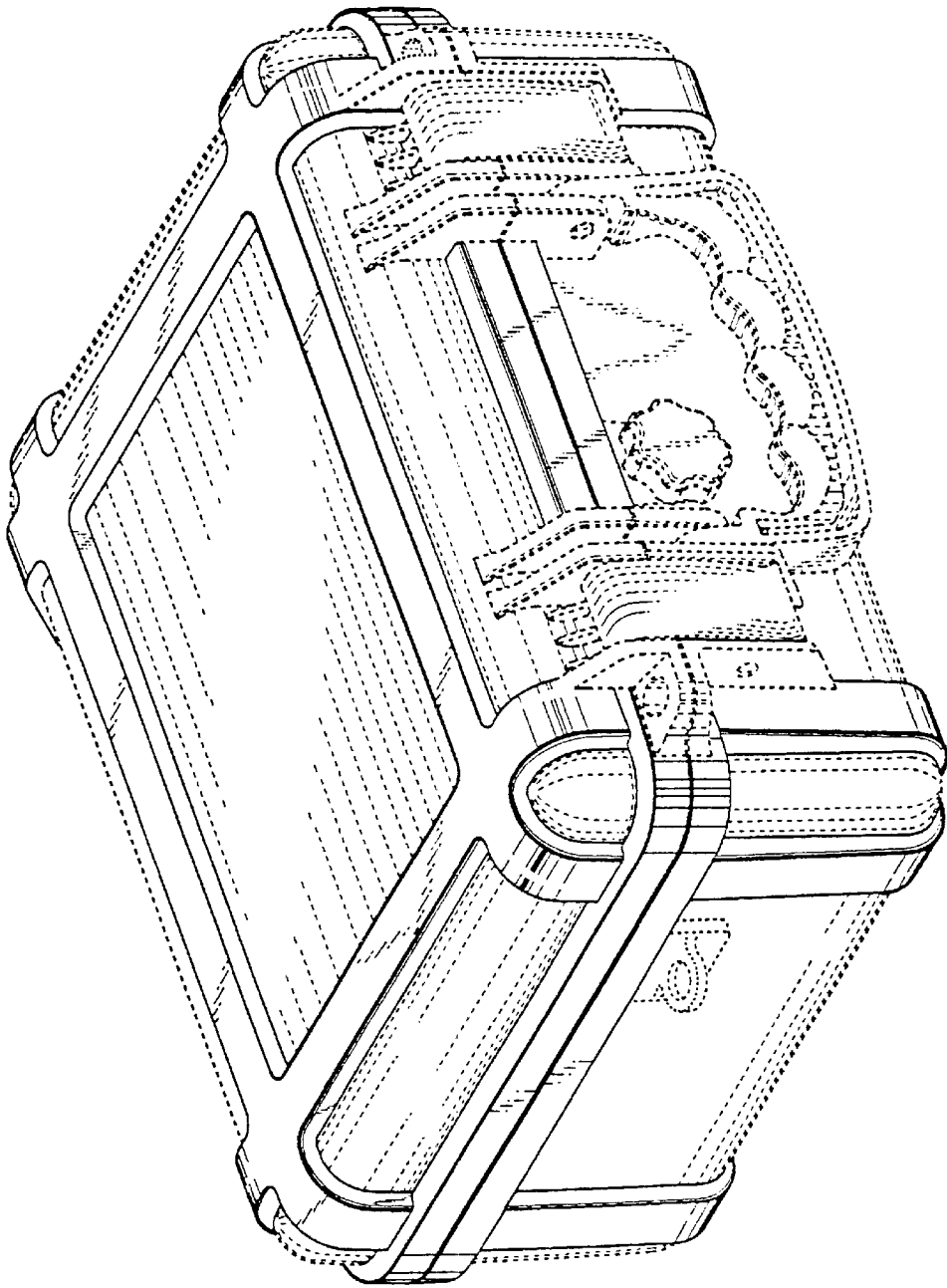
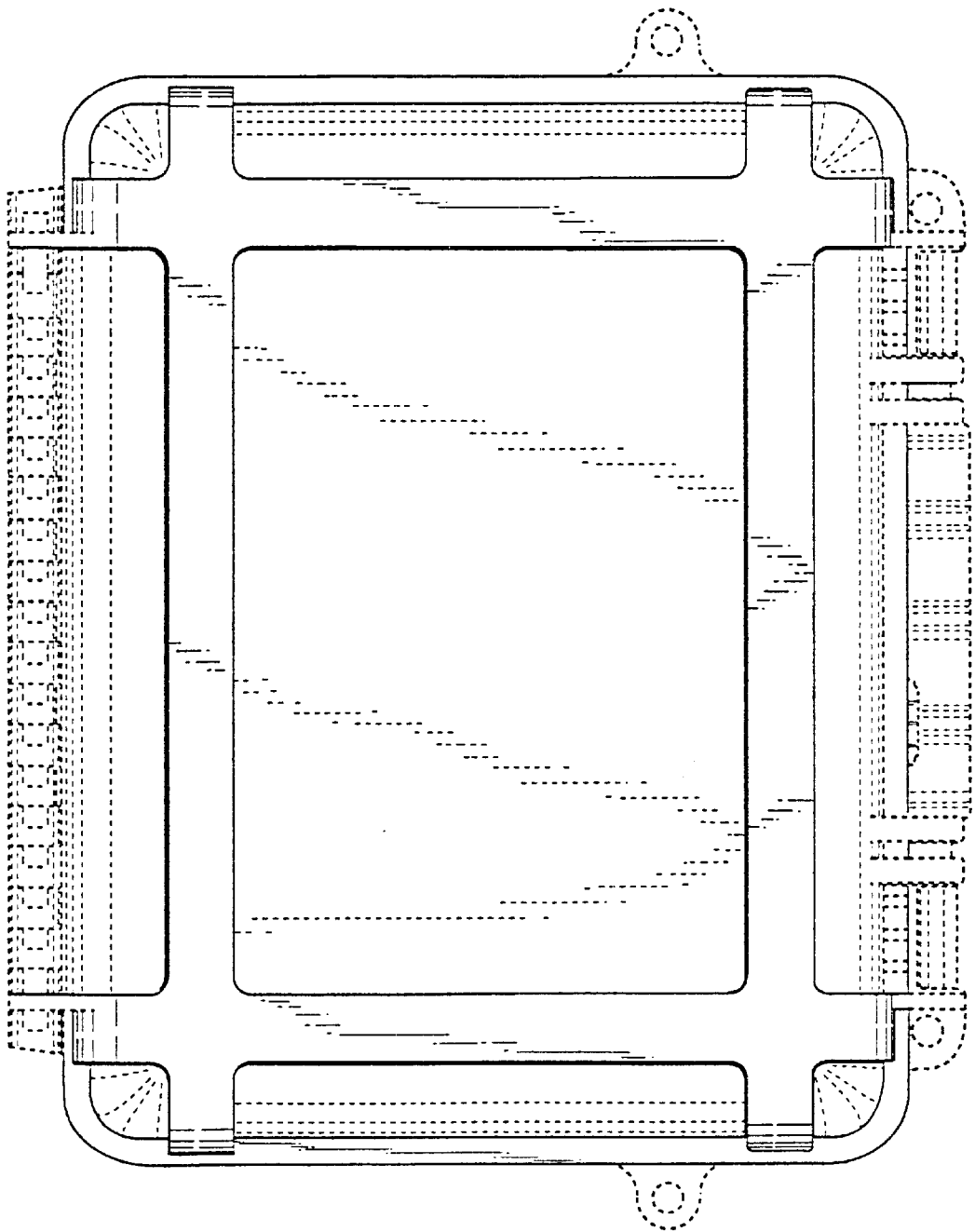


FIGURE 1

FIGURE 2



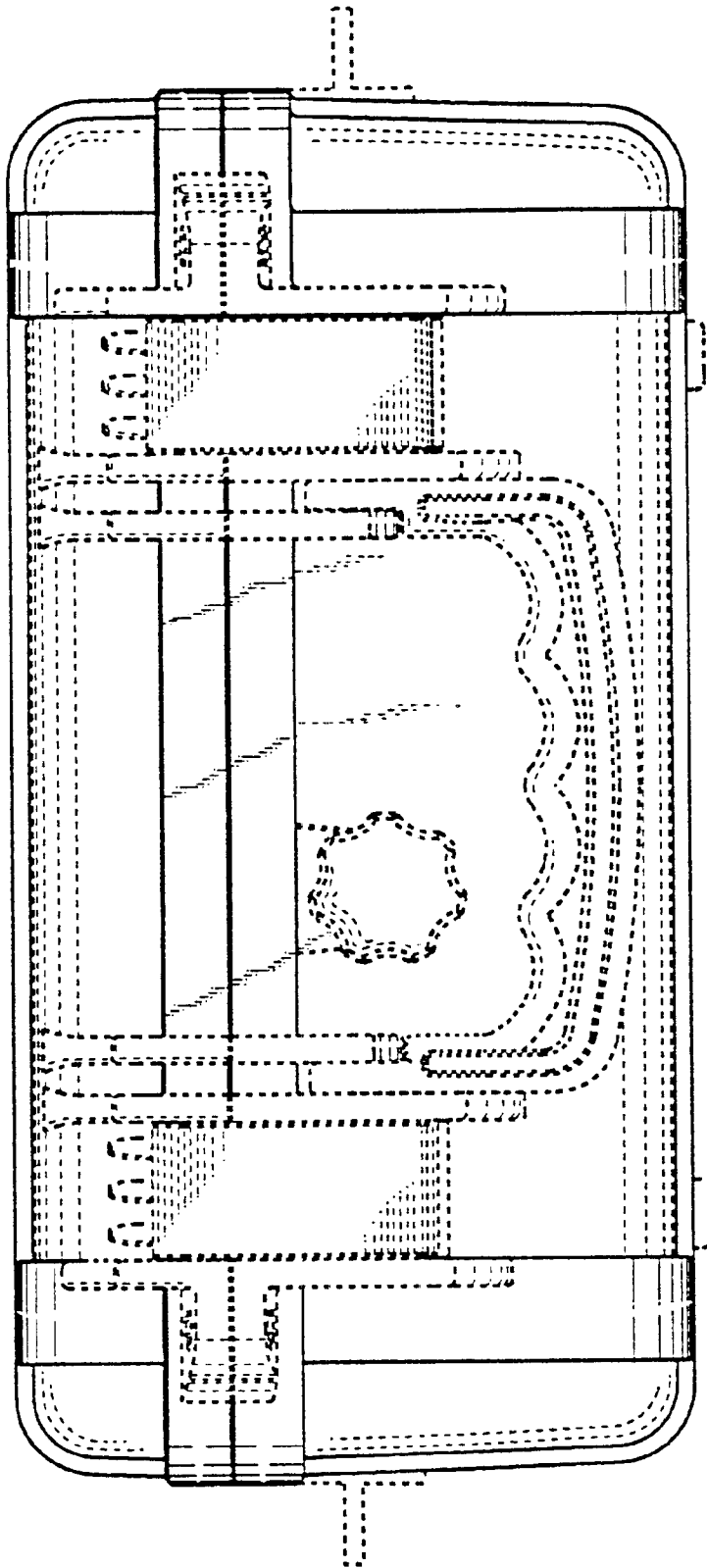


FIGURE 3

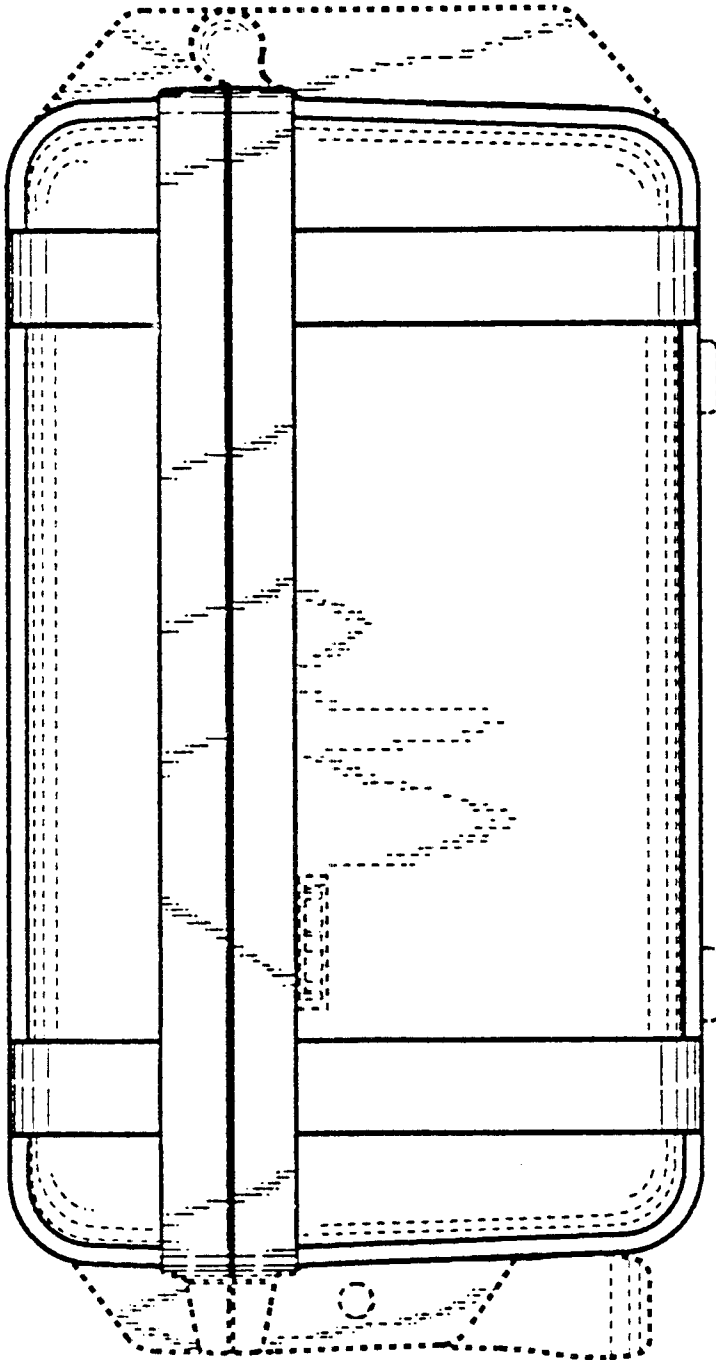


FIGURE 4

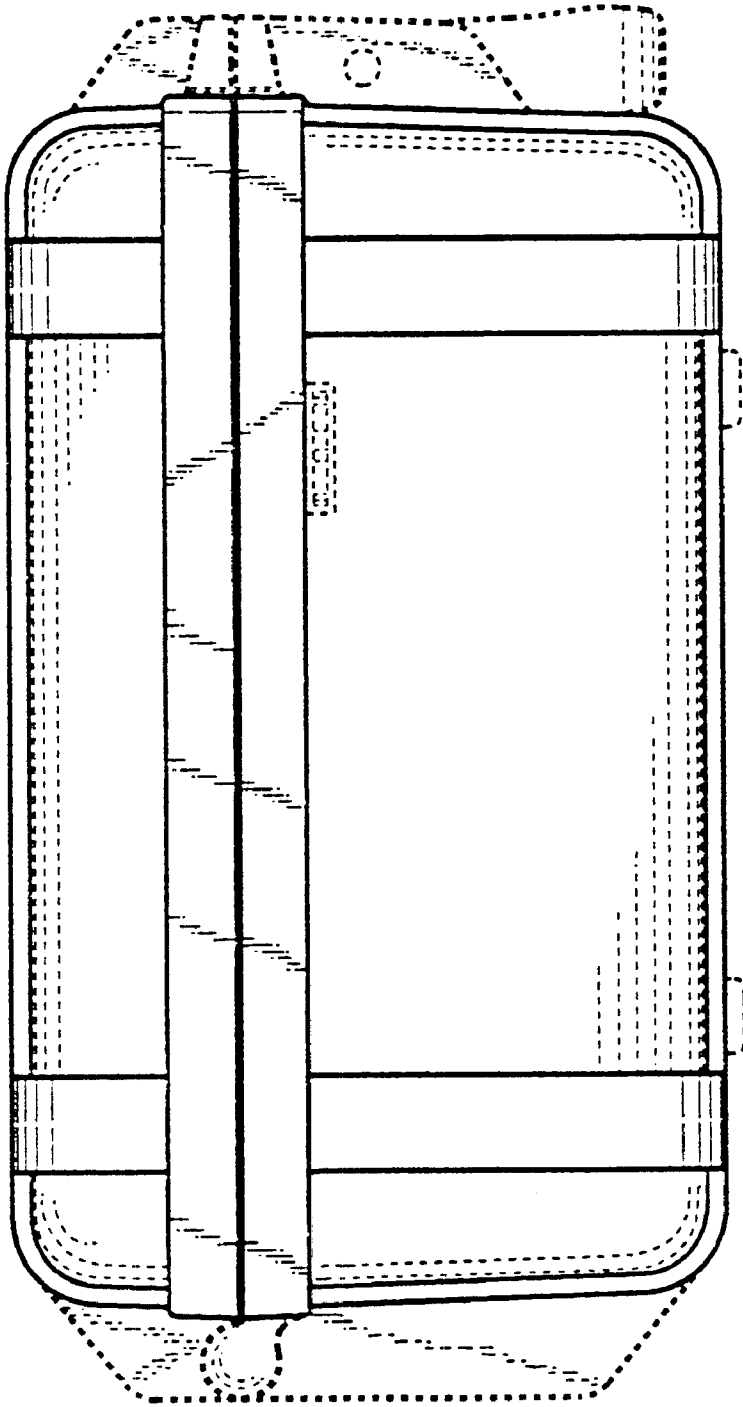


FIGURE 5

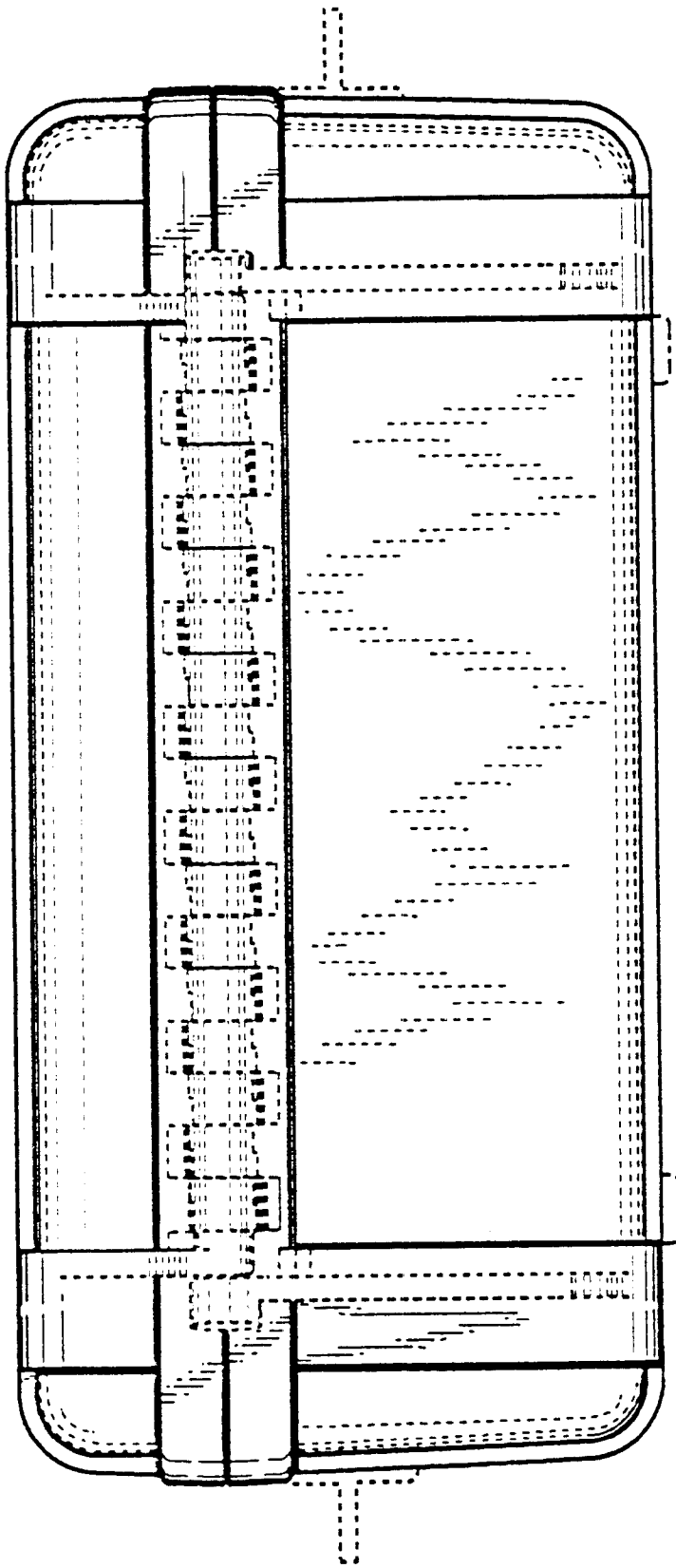
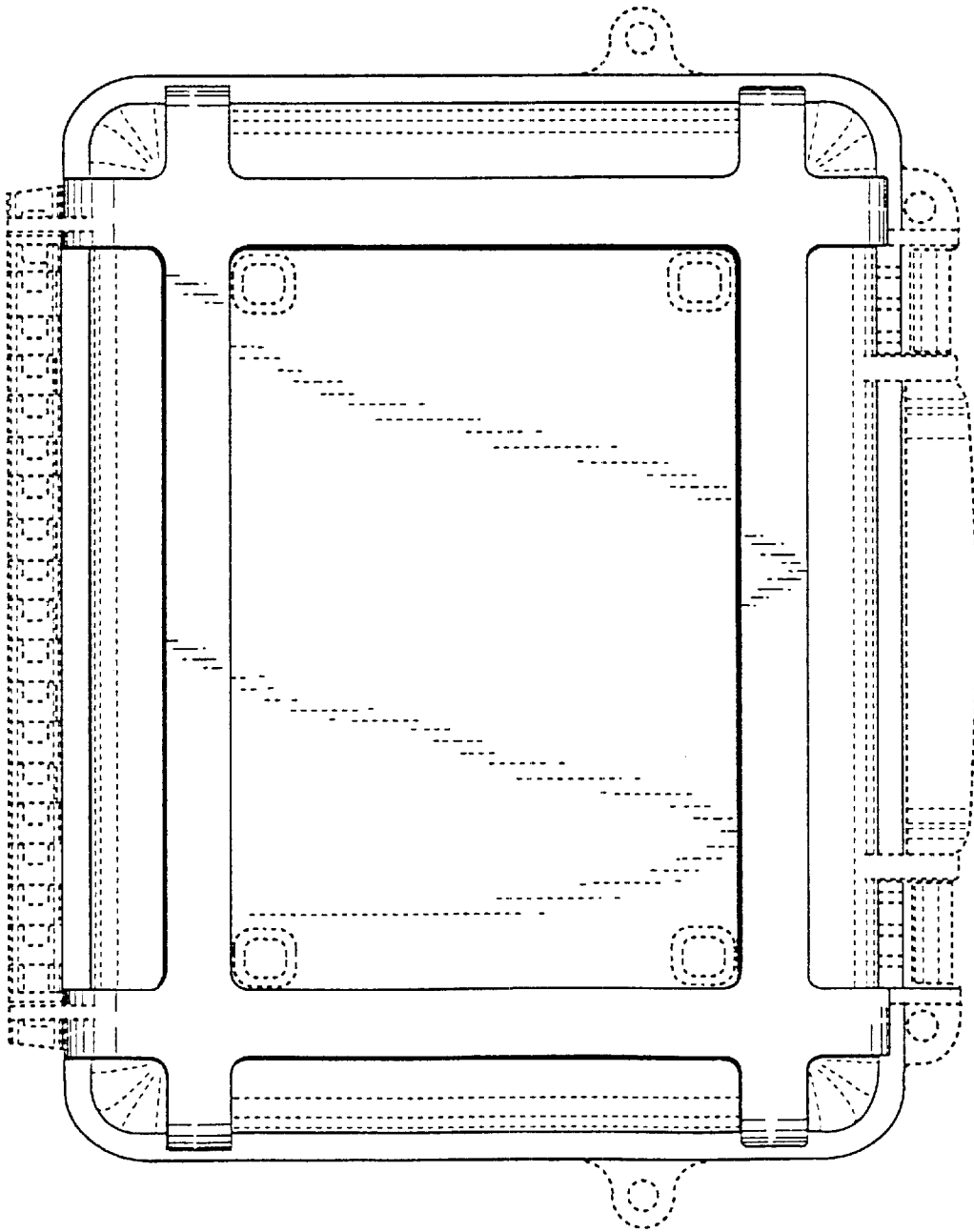


FIGURE 6

FIGURE 7





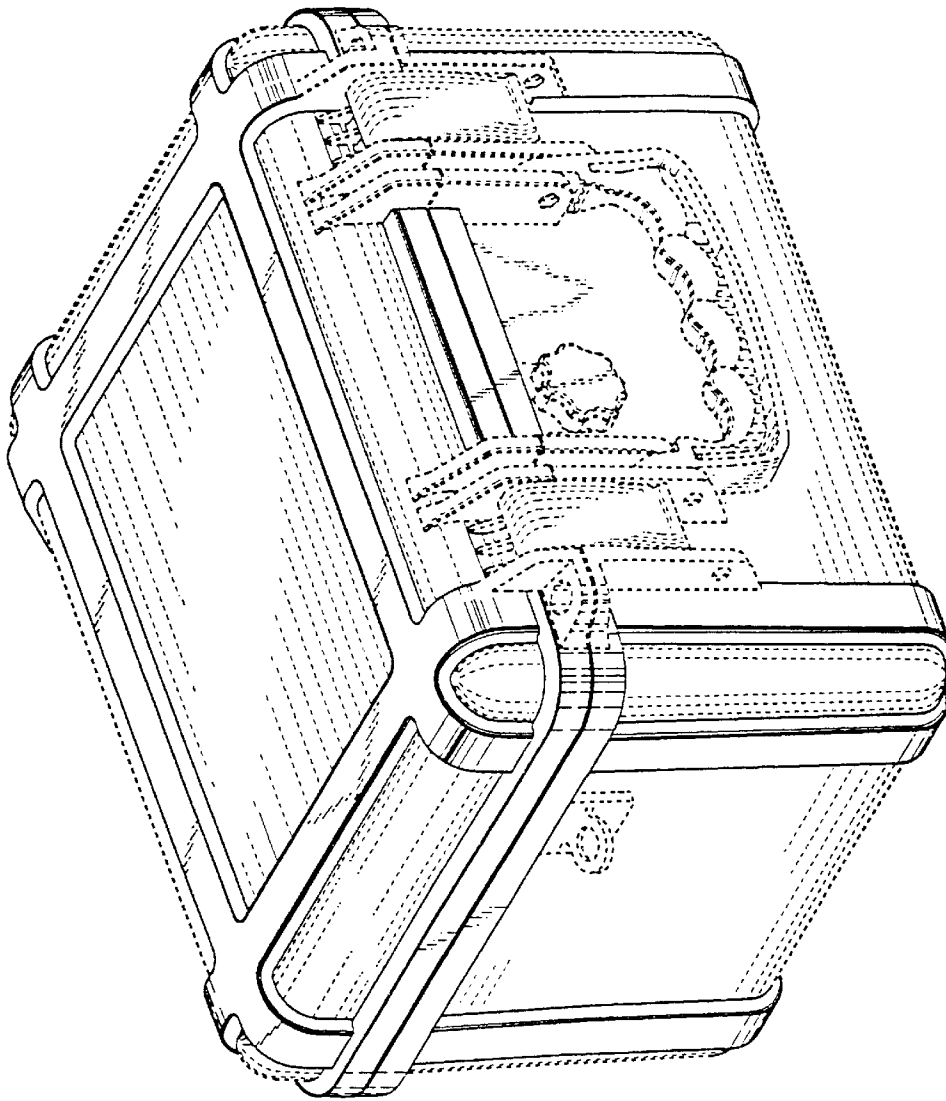
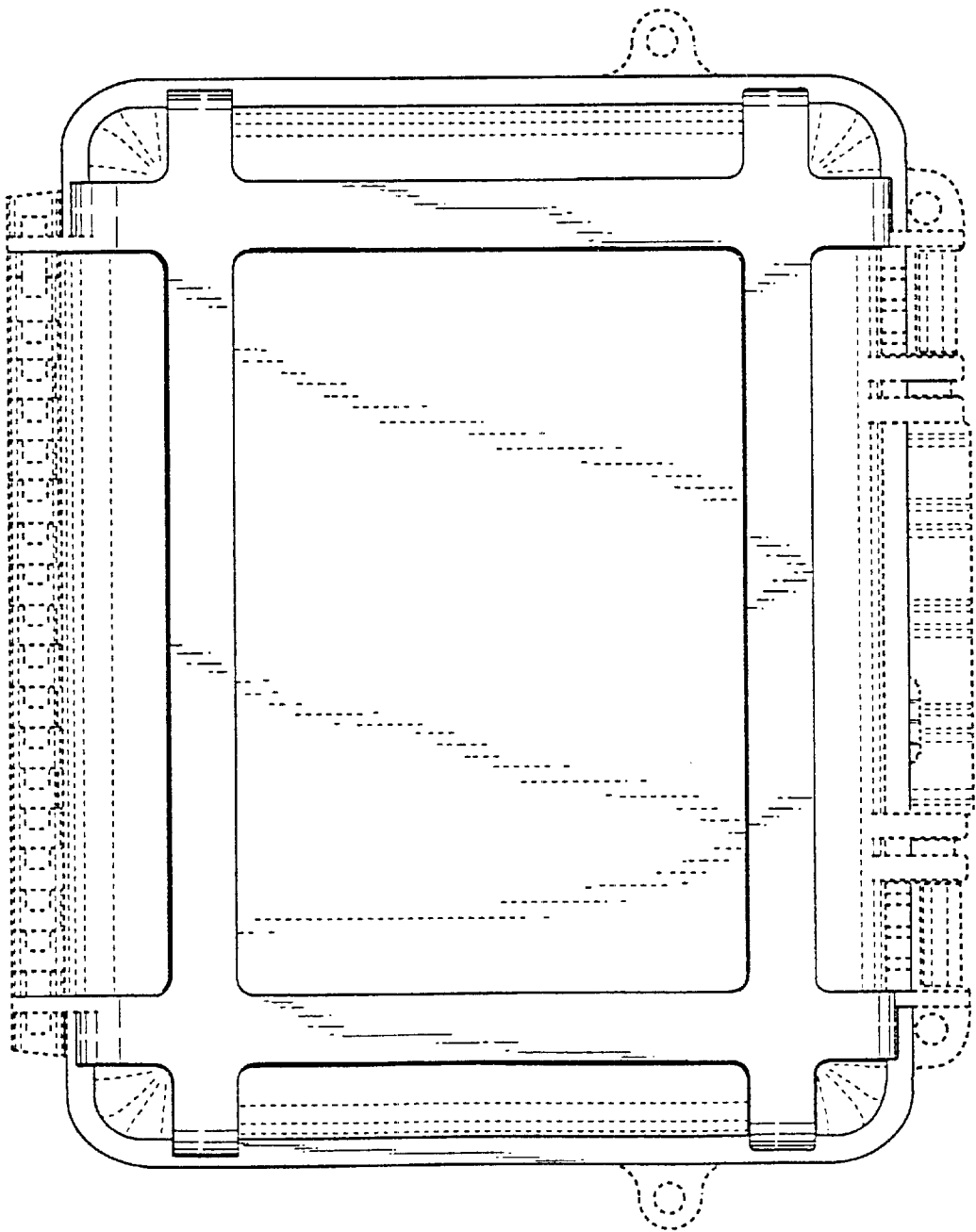


FIGURE 8

FIGURE 9



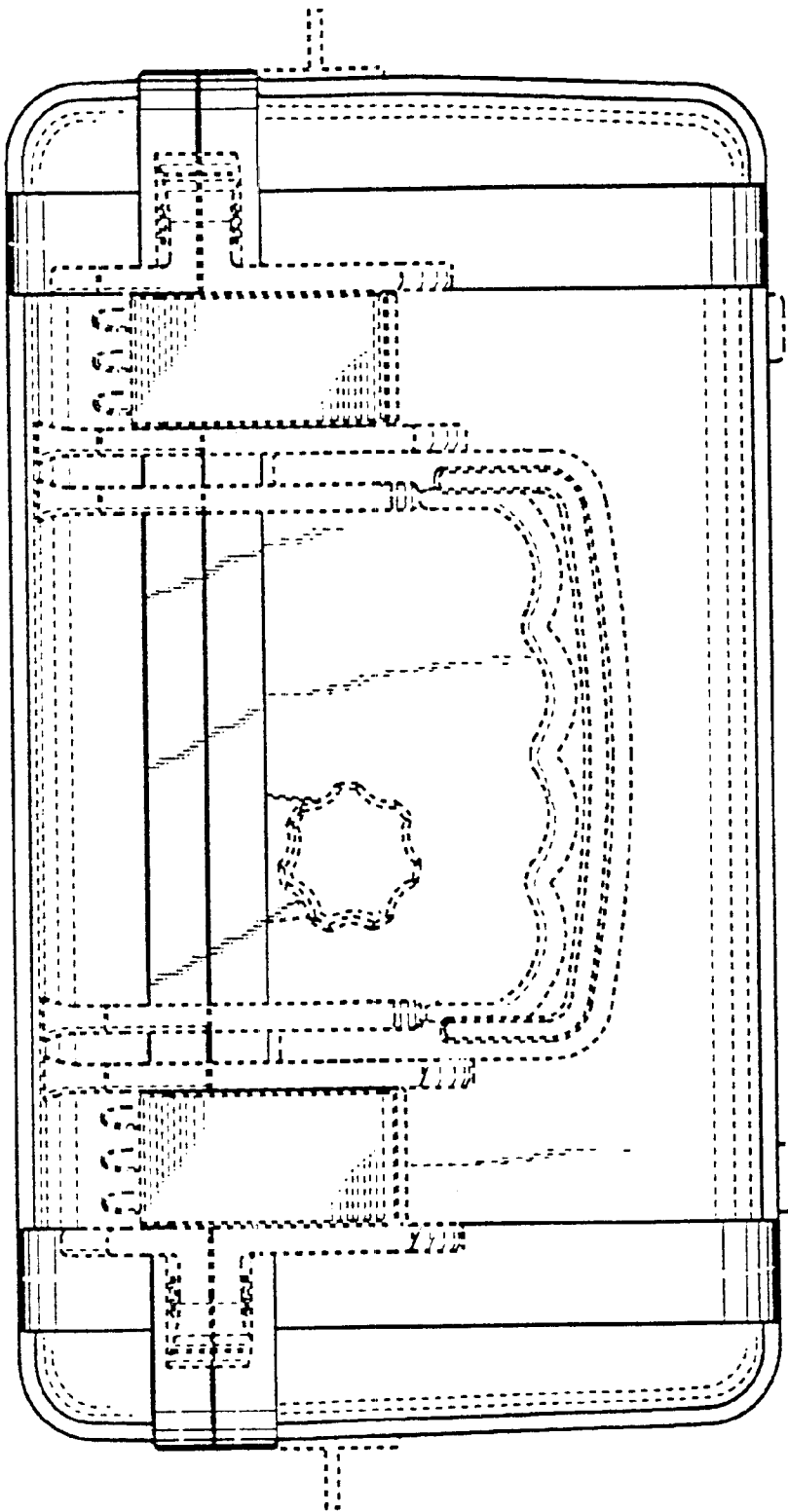


FIGURE 10

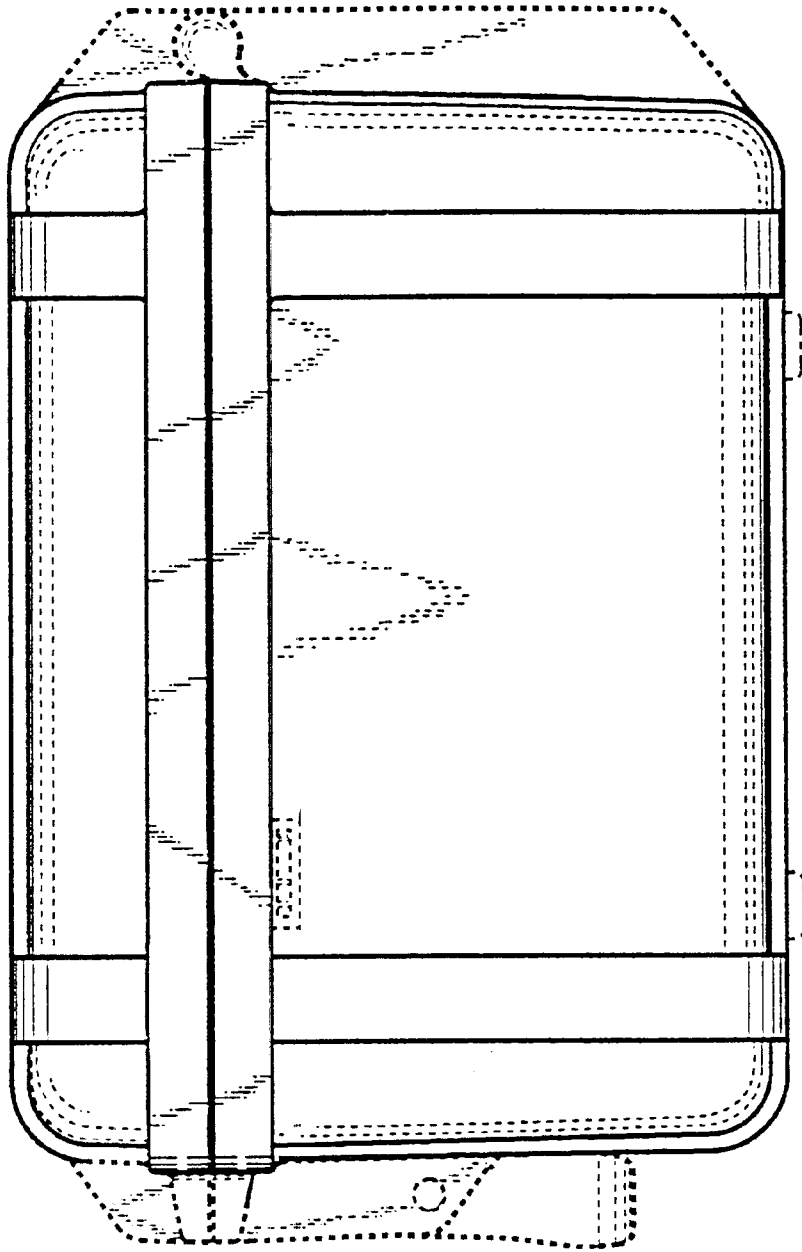


FIGURE 11

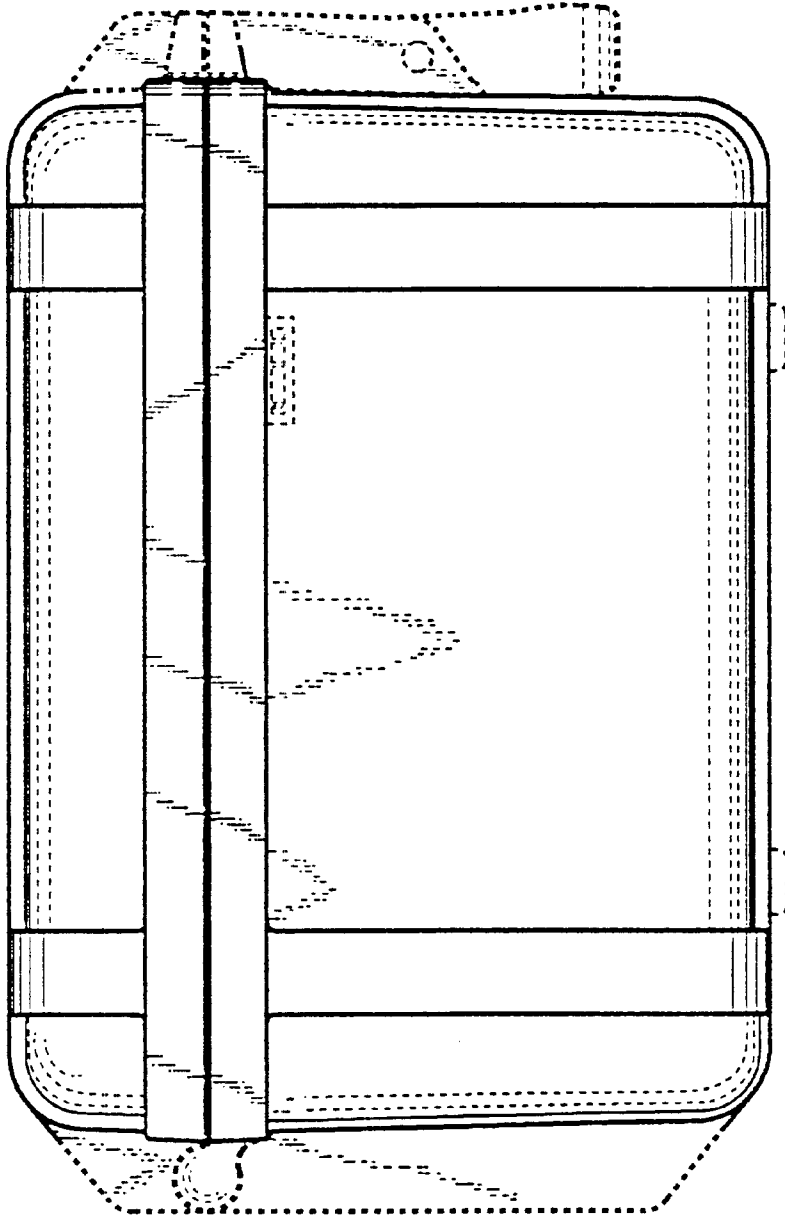


FIGURE 12

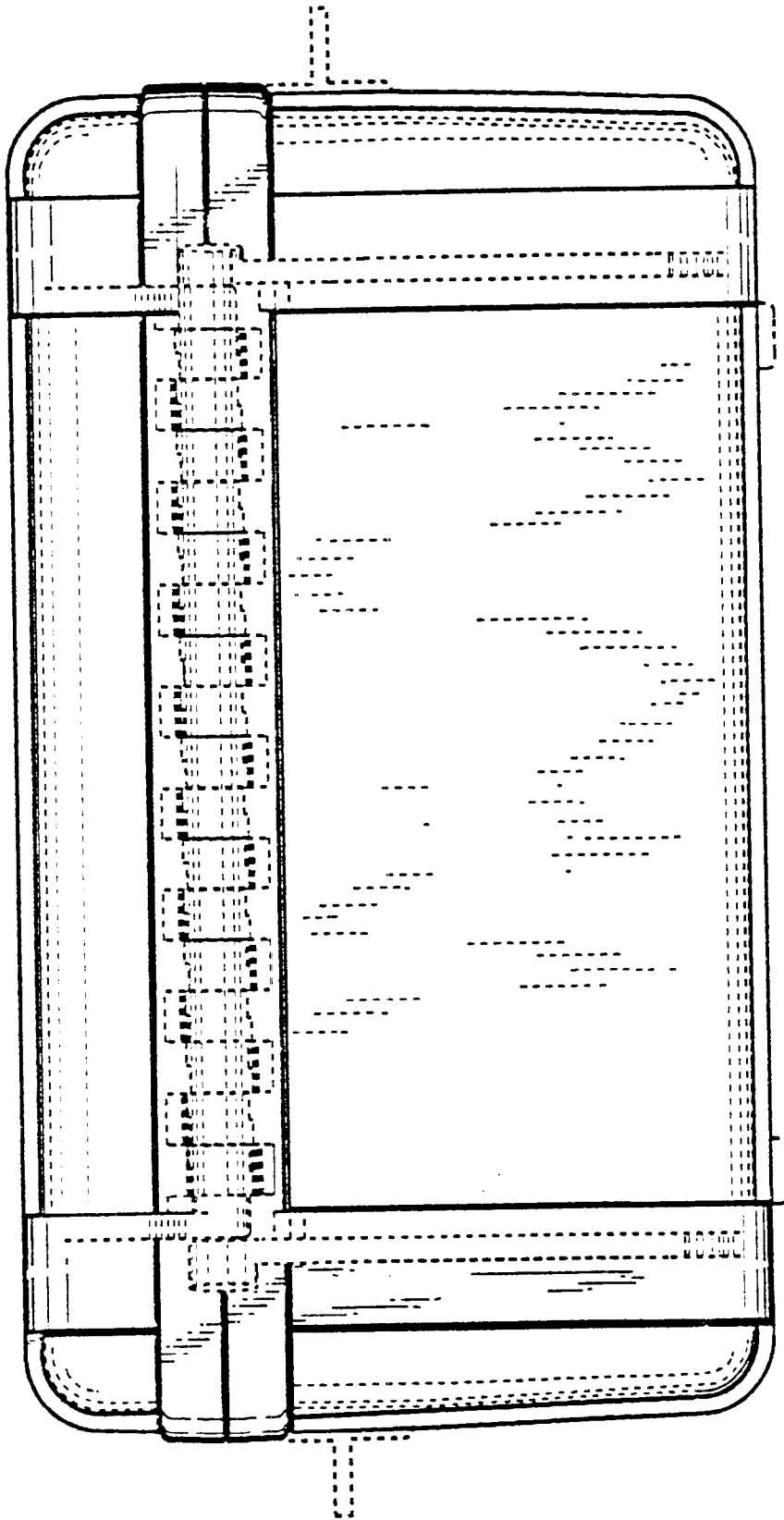


FIGURE 13

FIGURE 14

