



(12) **United States Design Patent**
Hart et al.

(10) **Patent No.:** **US D753,960 S**
(45) **Date of Patent:** **** Apr. 19, 2016**

(54) **GUM HOLDER**

(71) Applicant: **WM. WRIGLEY JR. COMPANY,**
Chicago, IL (US)

(72) Inventors: **Christopher Hart,** Chicago, IL (US);
Adam Hunter, Park Ridge, IL (US)

(73) Assignee: **Wm. Wrigley Jr. Company,** Chicago,
IL (US)

(**) Term: **14 Years**

(21) Appl. No.: **29/438,788**

(22) Filed: **Dec. 3, 2012**

(51) **LOC (10) Cl.** **07-01**

(52) **U.S. Cl.**
USPC **D7/629**

(58) **Field of Classification Search**

USPC D7/629, 601, 602, 603, 604, 605, 612,
D7/613, 614; D3/215, 218, 207, 312,
D3/225-228, 219, 230, 201-206, 273,
D3/274; 206/800, 811, 265, 268, 270;
D27/172, 186, 187, 188, 189, 191,
D27/192; D9/420-424, 432; 221/198, 279
CPC A24F 13/14; A24F 15/12; A24F 15/00;
A24F 47/008; A24F 27/04; A24F 27/10;
B65D 85/1045; B65D 85/1054; B65D 5/66;
B65D 5/88; B65D 85/10; B65F 2240/14;
B65F 2230/15; B65F 1/1421

See application file for complete search history.

(56) **References Cited**

U.S. PATENT DOCUMENTS

1,560,644 A * 11/1925 Beaupre 206/259
D147,254 S * 8/1947 Streng D3/205
D163,495 S * 5/1951 Valliant D28/73
3,165,225 A * 1/1965 Reitzel 220/324
D202,856 S * 11/1965 Reitzel D27/189
3,391,780 A * 7/1968 Pasquine et al. 206/259

D231,047 S * 3/1974 van Lelyveld D3/205
5,806,671 A * 9/1998 Focke et al. 206/268
D405,007 S * 2/1999 Naas, Sr. D9/414
D432,263 S * 10/2000 Issa D27/191
D449,782 S * 10/2001 Diaz D7/629
D457,718 S * 5/2002 McDonald D3/205
6,474,342 B1 * 11/2002 Rennecamp 131/241
D471,804 S * 3/2003 Staples D9/782
D480,174 S * 9/2003 Draghetti et al. D27/189

(Continued)

Primary Examiner — Ian Simmons

Assistant Examiner — Shannon Morgan

(74) *Attorney, Agent, or Firm* — Wm. Wrigley Jr. Company
Patent Group

(57) **CLAIM**

The ornamental design for a gum holder, as shown and
described.

DESCRIPTION

FIG. 1 is a perspective view of the gum holder showing our
new design;

FIG. 2 is a front elevational view thereof;

FIG. 3 is a left side elevational view thereof;

FIG. 4 is a right side elevational view thereof;

FIG. 5 is a top plan view thereof;

FIG. 6 is a bottom plan view thereof;

FIG. 7 is an exploded perspective view of the gum holder of
FIG. 1;

FIG. 8 is a front elevational view of the gum holder of FIG. 1
shown with the bottom portion removed for ease of illustration;

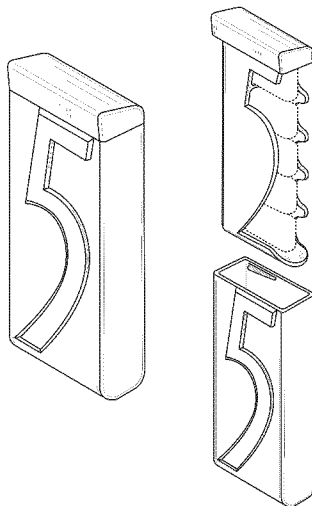
FIG. 9 is a perspective view of the gum holder of FIG. 8;

FIG. 10 is a right side elevational view of the gum holder of
FIG. 8 thereof; and,

FIG. 11 is a rear elevational view of the gum holder of FIG. 8
thereof.

The broken lines shown in FIGS. 7, 9, and 10 represent
portions of the gum holder that form no part of the claimed
design.

1 Claim, 7 Drawing Sheets



(56)

References Cited

U.S. PATENT DOCUMENTS

D485,640 S *	1/2004	Draghetti et al.	D27/189	D620,247 S *	7/2010	Behar et al.	D3/218
D492,814 S *	7/2004	Bray et al.	D27/189	D623,408 S *	9/2010	Benedetti	D3/276
D503,037 S *	3/2005	Terronez et al.	D3/215	D700,994 S *	3/2014	Alarcon et al.	D27/189
D516,420 S *	3/2006	Teo	D9/417	D723,734 S *	3/2015	Liu	D27/189
D519,673 S *	4/2006	Bray et al.	D27/189	D723,737 S *	3/2015	Liu	D27/189
D569,720 S *	5/2008	Lablaine	D9/420	2003/0106928 A1*	6/2003	Li Vigni et al.	229/146
D591,899 S *	5/2009	Bray et al.	D27/189	2006/0213789 A1*	9/2006	Ghini et al.	206/268
D610,303 S *	2/2010	Valle	D27/189	2008/0047852 A1*	2/2008	Ghini et al.	206/268
D613,903 S *	4/2010	Wu et al.	D27/189	2010/0044256 A1*	2/2010	Tanbo et al.	206/268
				2011/0240494 A1*	10/2011	Vecchi	206/273
				2013/0206618 A1*	8/2013	Holford	206/268
				2013/0248385 A1*	9/2013	Scatterday et al.	206/86

* cited by examiner

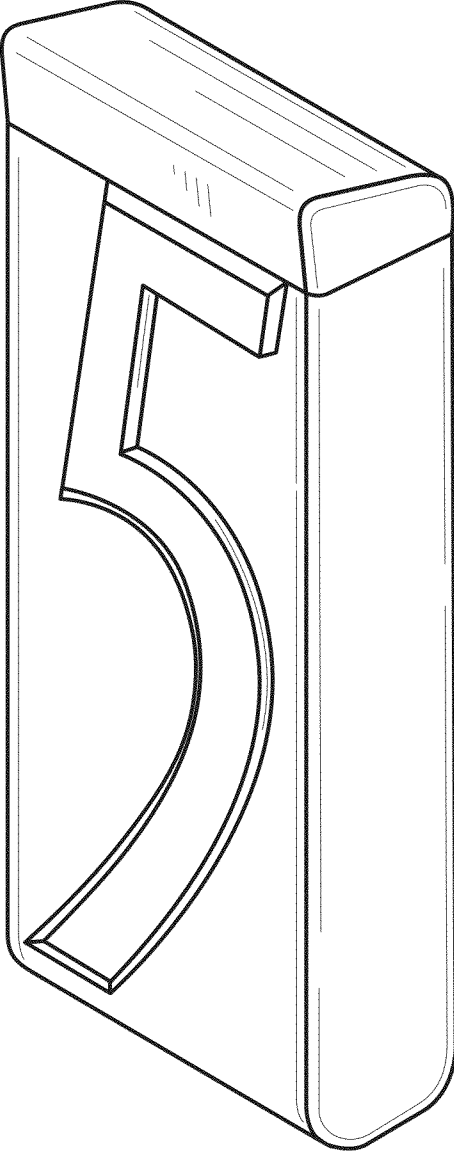


FIG. 1

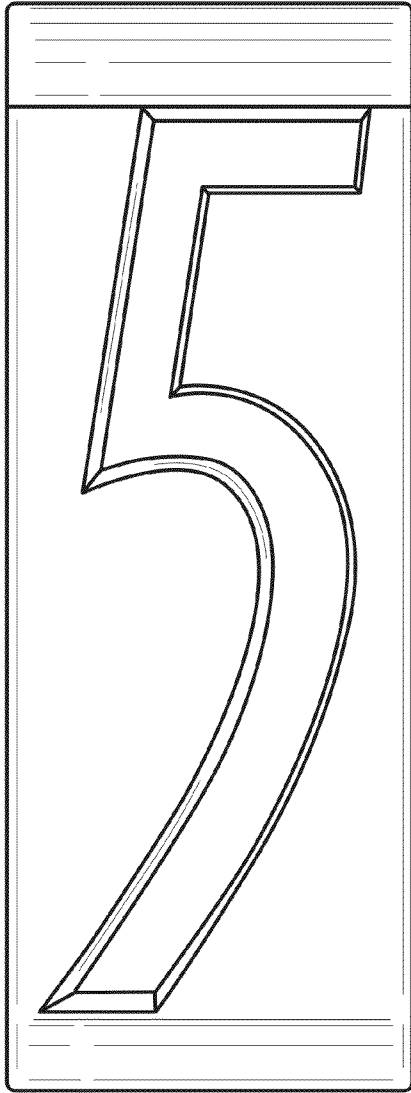


FIG. 2

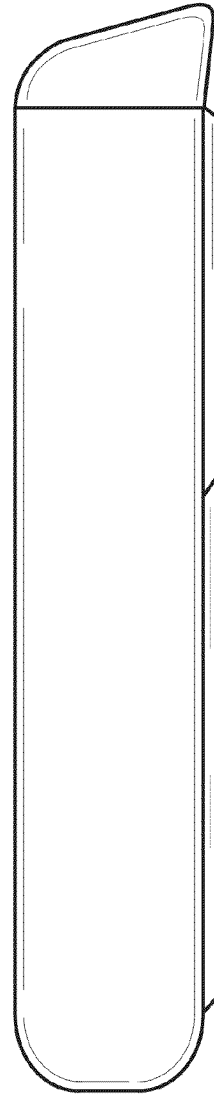


FIG. 3

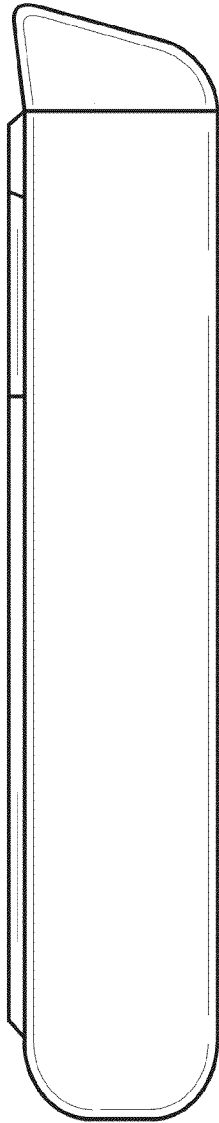


FIG. 4

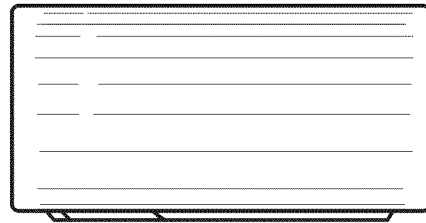


FIG. 5

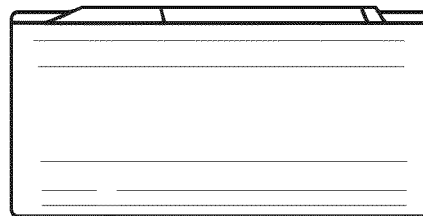


FIG. 6

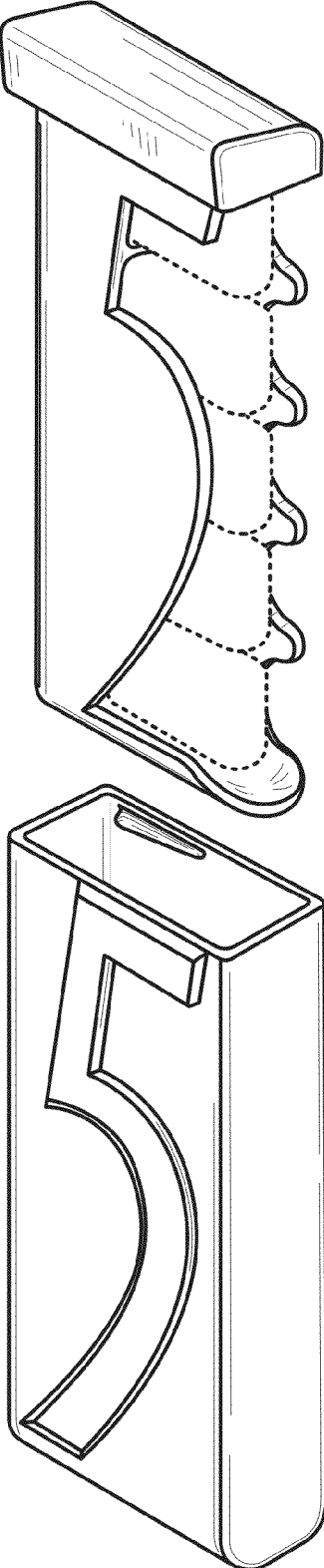


FIG. 7

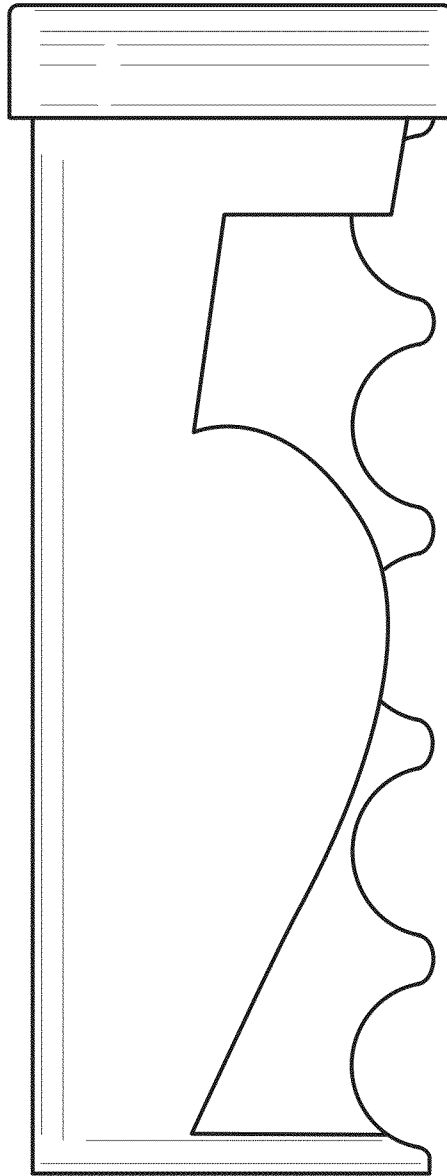


FIG. 8

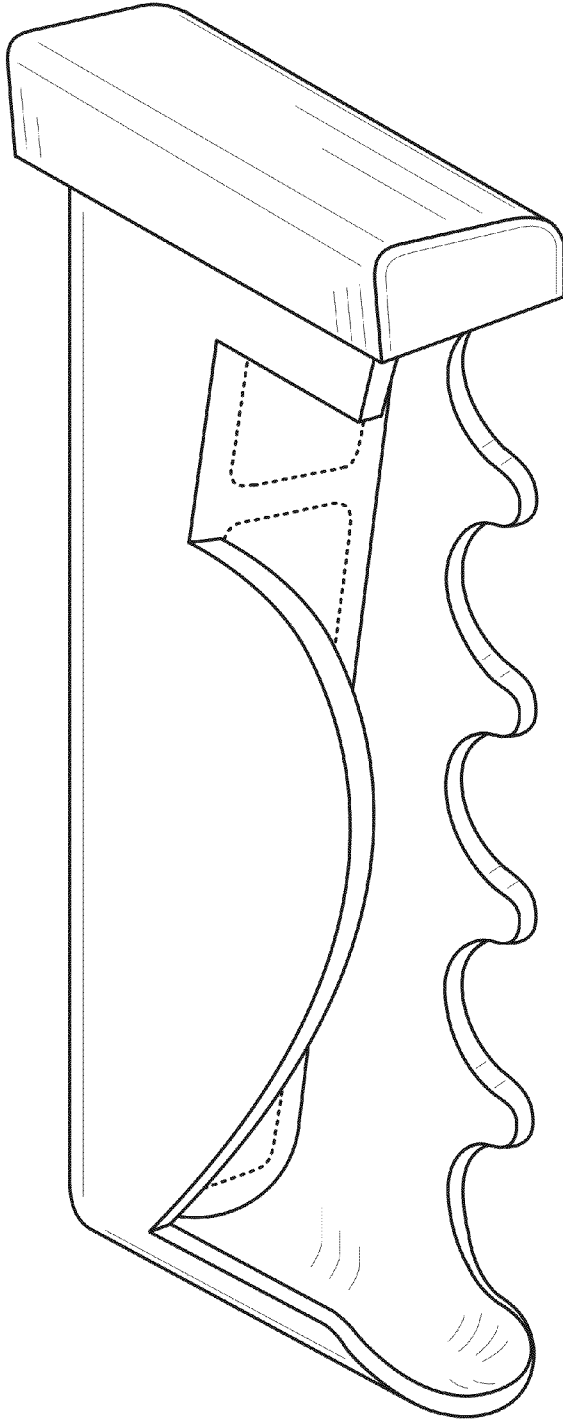


FIG. 9

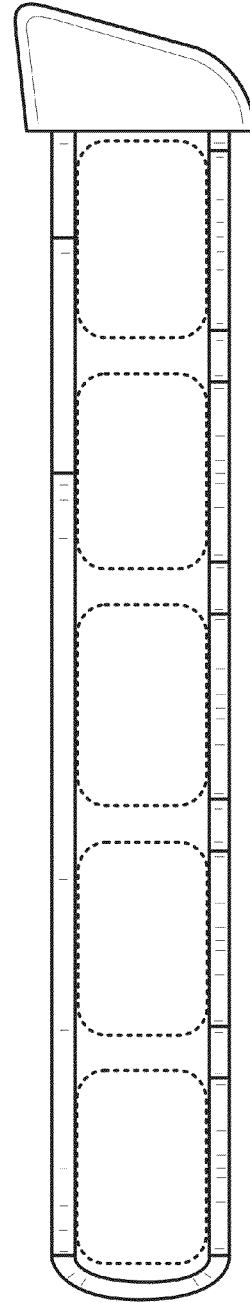


FIG. 10

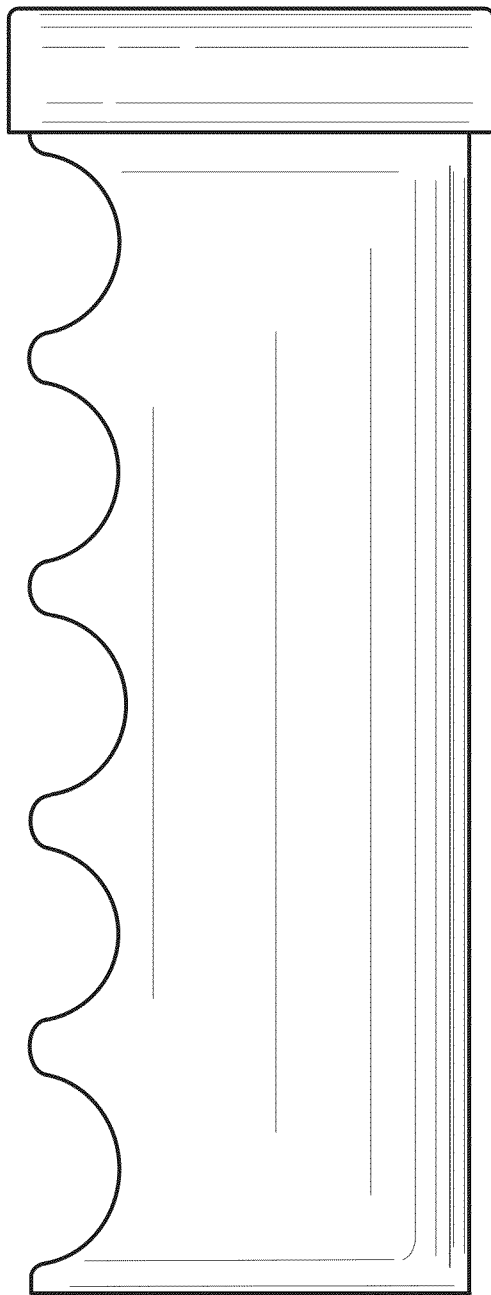


FIG. 11