



(12) **United States Design Patent**
Walker et al.

(10) **Patent No.:** **US D762,825 S**
(45) **Date of Patent:** **** Aug. 2, 2016**

(54) **WALL FITTING**

- (71) Applicant: **Custom Molded Products, Inc.**,
Newnan, GA (US)
- (72) Inventors: **Victor L. Walker**, Temecula, CA (US);
Zachary T. Vogtner, Atlanta, GA (US);
Angelo V. Pugliese, Newnan, GA (US)
- (73) Assignee: **Custom Molded Products, Inc.**,
Newnan, GA (US)
- (**) Term: **15 Years**
- (21) Appl. No.: **29/549,732**
- (22) Filed: **Dec. 28, 2015**

Related U.S. Application Data

- (63) Continuation-in-part of application No. 29/508,154,
filed on Nov. 4, 2014.

- (51) **LOC (10) Cl.** **23-01**
- (52) **U.S. Cl.**
USPC **D23/259**

- (58) **Field of Classification Search**
USPC D23/259–263, 266–269, 233; 251/215,
251/216; 285/369, 372, 373, 417, 133.11,
285/133.3, 133.21, 133.4, 133.5, 133.6
CPC F16L 11/00; F16L 37/252; F16L 41/007;
E03C 1/26; E03C 1/262; E03C 1/28; E03F
5/04; A61B 5/00; A61M 25/09016
See application file for complete search history.

(56) **References Cited**

U.S. PATENT DOCUMENTS

D327,120	S	*	6/1992	Ambrosi	D23/262
D435,090	S	*	12/2000	Stout, Jr.	D23/269
6,249,920	B1	*	6/2001	McRoberts	E03C 1/232
						4/286
D517,664	S	*	3/2006	Hill	D23/261
D539,117	S	*	3/2007	Sealey	D8/349
D724,699	S	*	3/2015	Wyne	D23/259
D728,758	S	*	5/2015	Coronado	D23/269
2009/0133188	A1	*	5/2009	Peng	A61H 33/6063
						4/541.6
2014/0101834	A1	*	4/2014	Ball	E03C 1/26
						4/286
2014/0289943	A1	*	10/2014	Myers, II	E03C 1/26
						4/288

* cited by examiner

Primary Examiner — Sandra Snapp

(74) *Attorney, Agent, or Firm* — Laurence P. Colton; Smith Tempel Blaha LLC

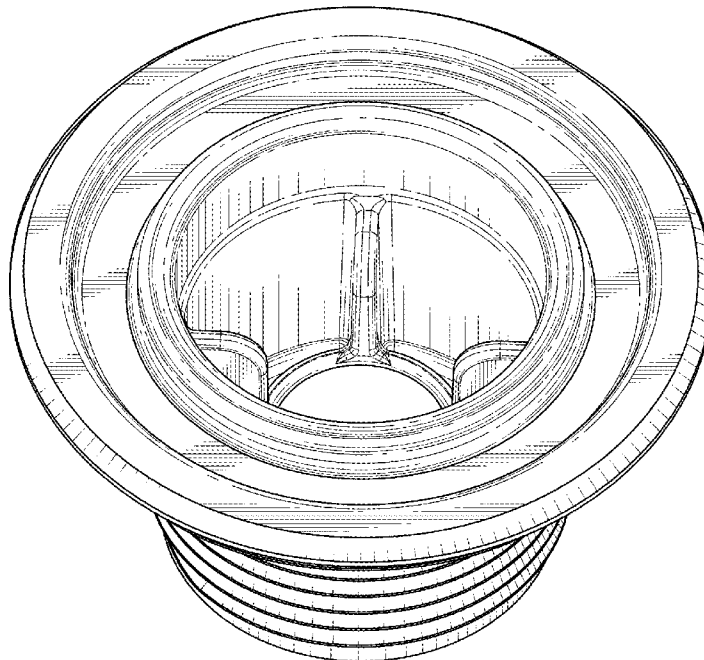
(57) **CLAIM**

The ornamental design for a wall fitting, as shown and described.

DESCRIPTION

- FIG. 1 is a top perspective view showing the new design for a wall fitting.
- FIG. 2 is a bottom perspective view thereof.
- FIG. 3 is a front view thereof.
- FIG. 4 is a back view thereof.
- FIG. 5 is a left side view thereof.
- FIG. 6 is a right side view thereof.
- FIG. 7 is a top view thereof; and,
- FIG. 8 is a bottom view thereof.

1 Claim, 6 Drawing Sheets



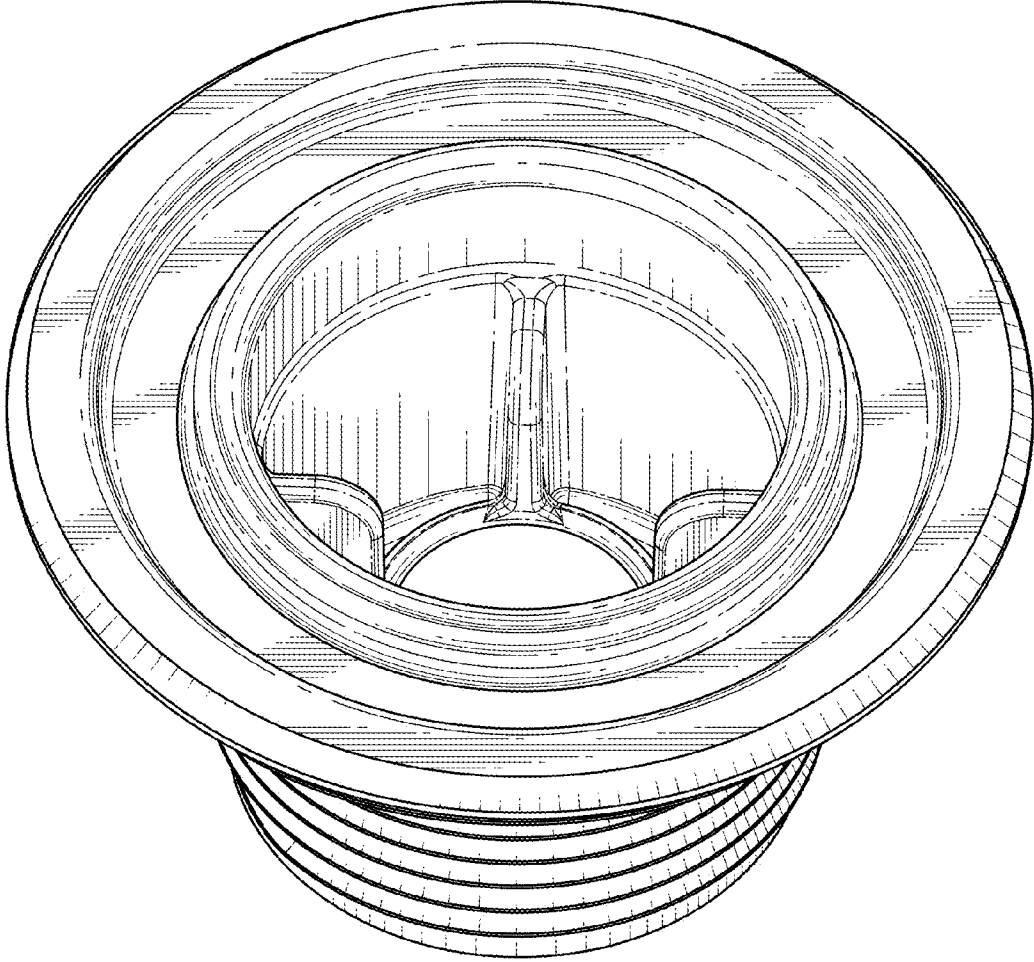


FIG. 1

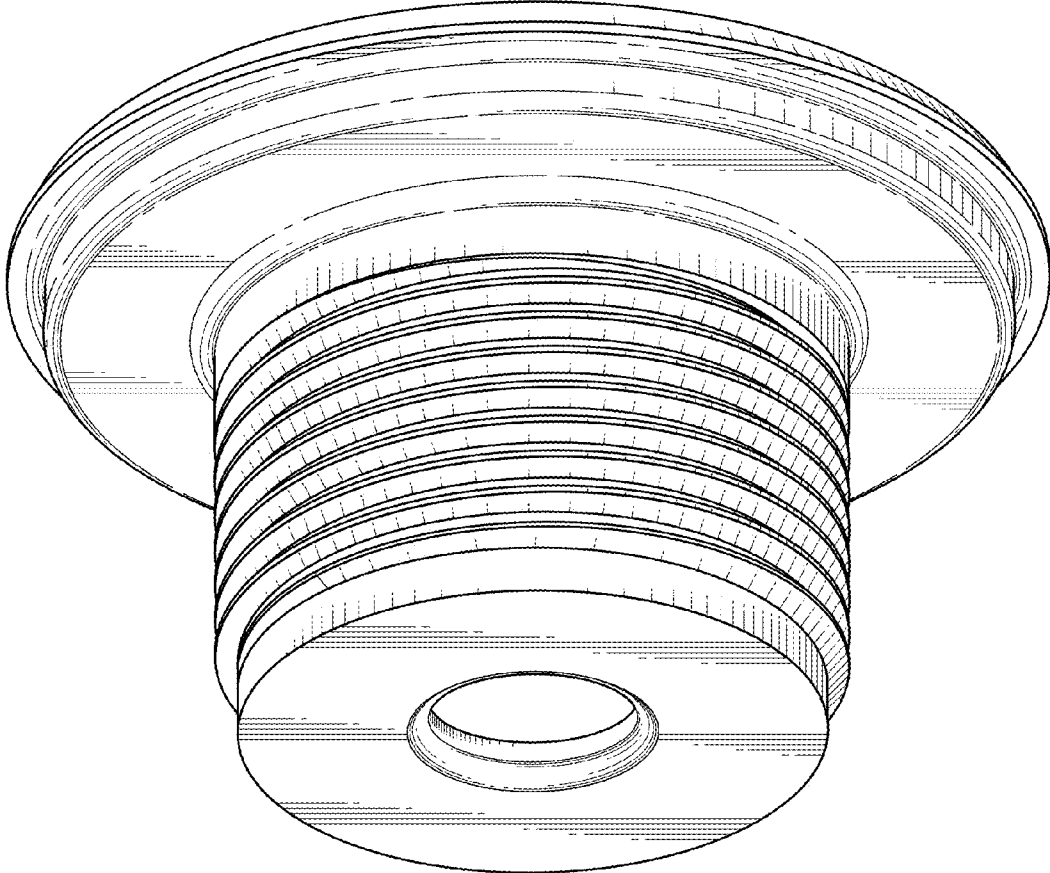


FIG. 2

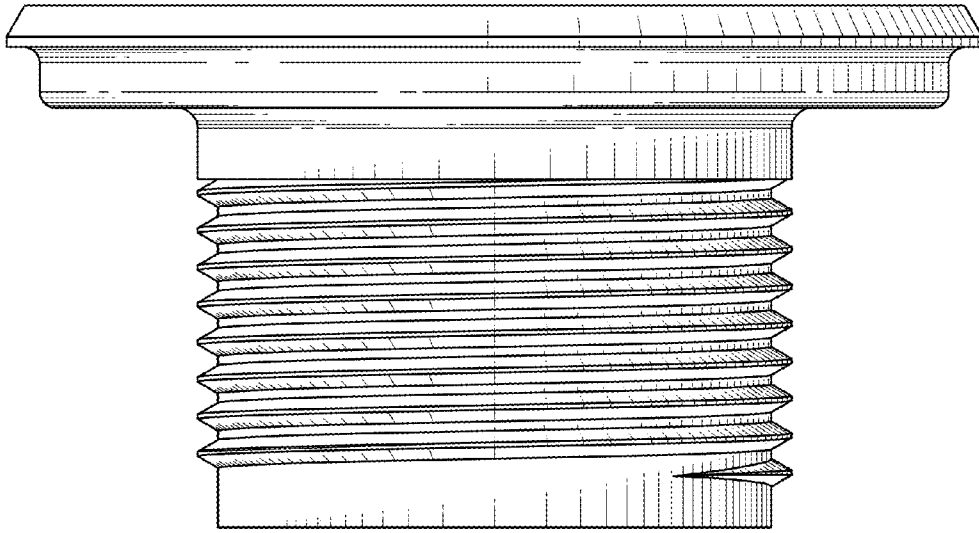


FIG. 3

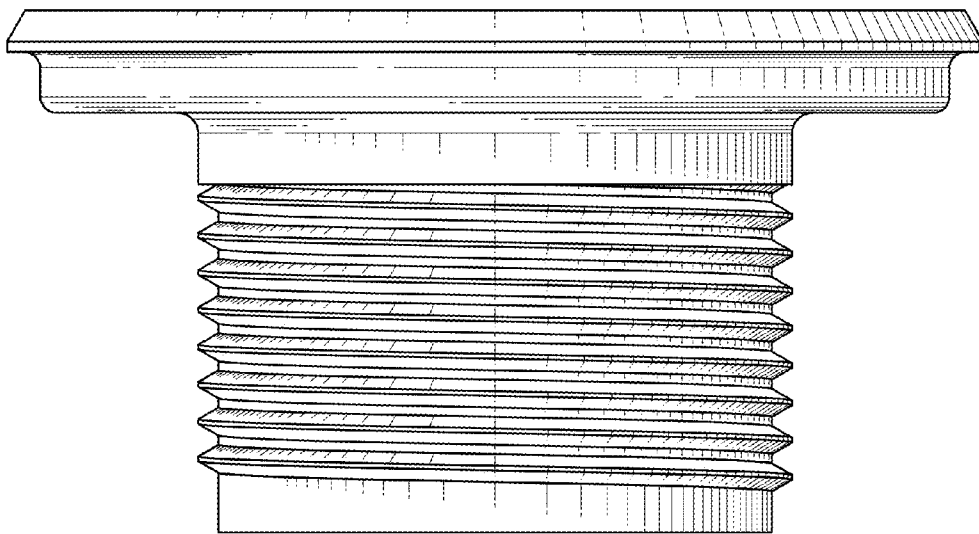


FIG. 4

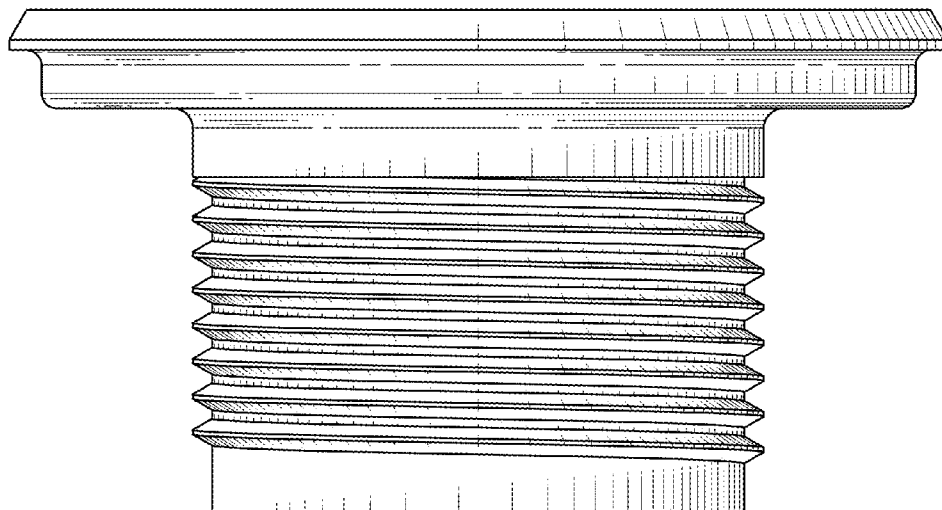


FIG. 5

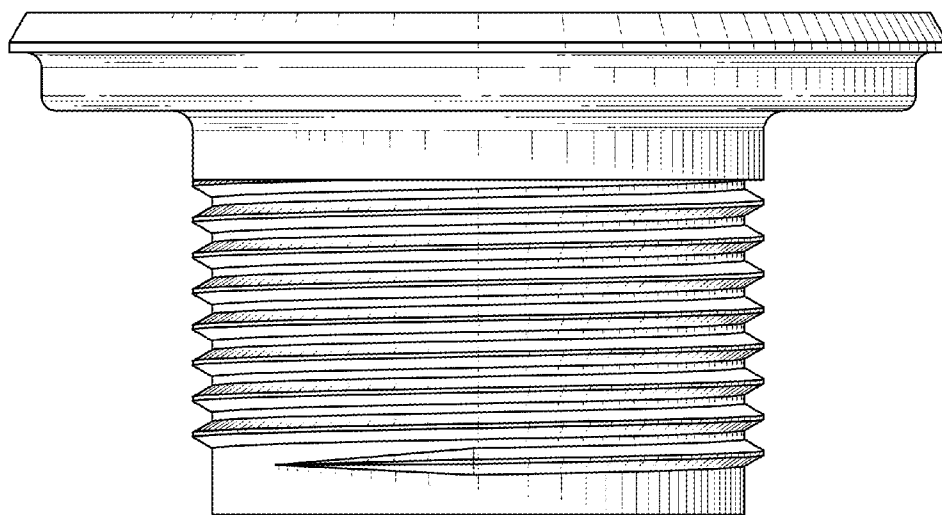


FIG. 6

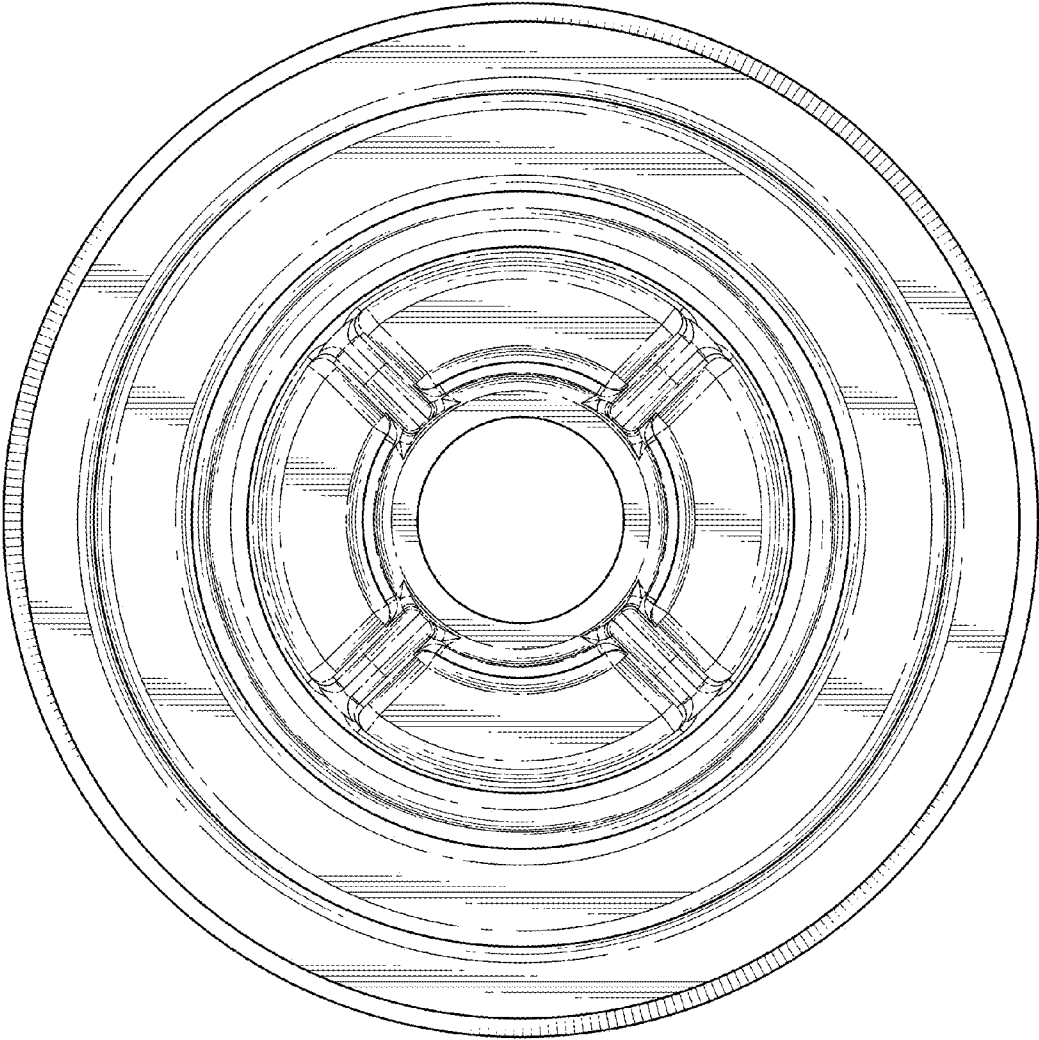


FIG. 7

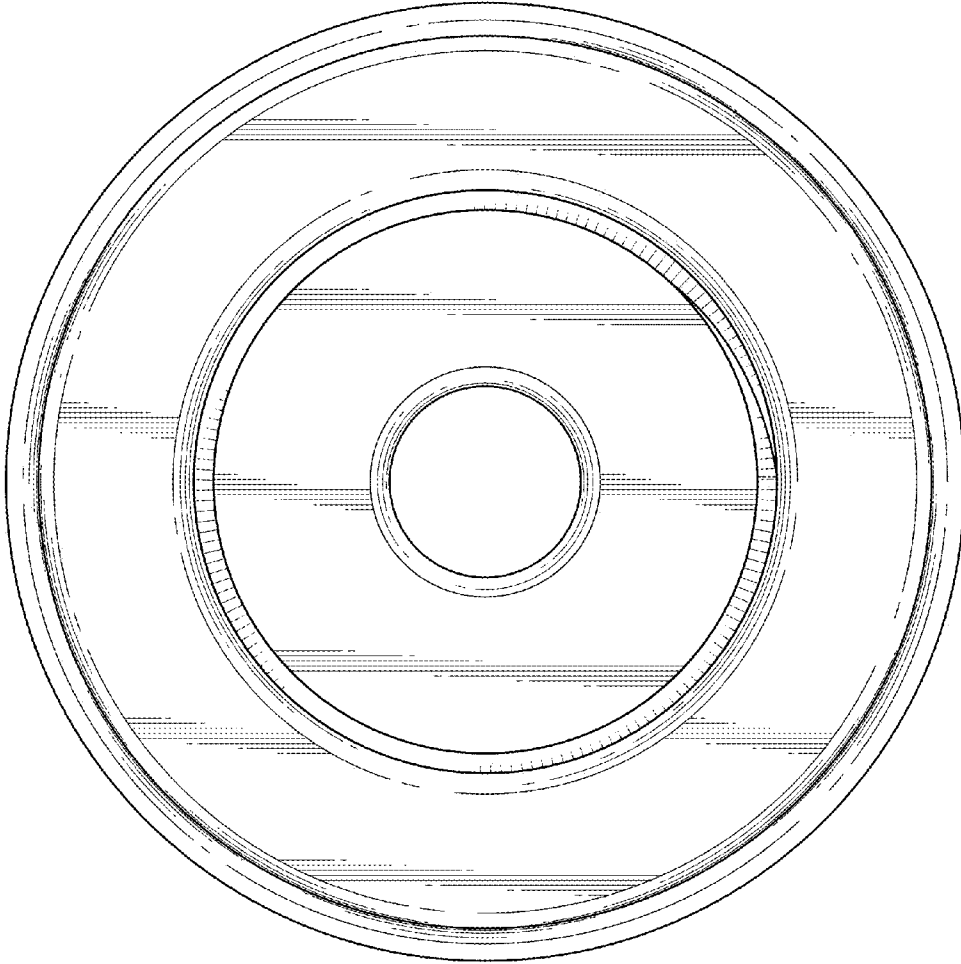


FIG. 8