



US00D608059S

(12) **United States Design Patent**
McNaughton

(10) **Patent No.:** **US D608,059 S**

(45) **Date of Patent:** **** Jan. 12, 2010**

(54) **BOBBER BIRD HOUSE**

D505,050 S 5/2005 Johnson

(76) Inventor: **Patrick J. McNaughton**, 17025 5th Ave.,
Plymouth, MN (US) 55447

(**) Term: **14 Years**

(21) Appl. No.: **29/310,022**

(22) Filed: **Jul. 22, 2008**

(51) **LOC (9) Cl.** **30-02**

(52) **U.S. Cl.** **D30/119; D22/146**

(58) **Field of Classification Search** D30/110–112,
D30/114, 117, 119, 124–128; D11/121;
D22/146; 119/428–429, 431–435, 452–454,
119/459, 461, 469–470, 513

See application file for complete search history.

(56) **References Cited**

U.S. PATENT DOCUMENTS

D76,400	S	*	9/1928	Kevitt	D30/110
2,887,987	A	*	5/1959	Fitzgerald et al.	119/433
3,182,635	A	*	5/1965	Waite	119/428
D222,074	S	*	9/1971	Pratt	D30/110
3,783,831	A	*	1/1974	Patliff	119/435
D244,620	S	*	6/1977	Cudmore	D30/110
4,592,936	A	*	6/1986	Ferguson	428/11
D338,421	S	*	8/1993	Huang	D10/116
D356,878	S	*	3/1995	Thaxter	D30/110
5,458,930	A	*	10/1995	Brown	428/11
D370,745	S	*	6/1996	Madigan	D30/110
D373,552	S	*	9/1996	Lownsbury	D11/121
D491,484	S	*	6/2004	Tyler	D11/121

OTHER PUBLICATIONS

Big Bobber—Floating Cooler product information, website: <http://www.vacationgadgets.com/productmgmt/results.asp?nCatID=20&nSubCatID=192&sSubCat=Big...>, printed Jul. 22, 2008, 3 pages.
Bobber Salt & Pepper Shakers product information, website: http://www.fishygifts.com/Merchant2/merchant.mv?Screen=PROD&Product_Code=519re, printed Jul. 22, 2008, 2 pages.
Bobber Swag Glass Ornament product information, website: <http://www.bronners.com/1123041.html>, printed Jul. 22, 2008, 1 page.
Photograph printed from web page at least as early as Jul. 21, 2008, 1 page.

* cited by examiner

Primary Examiner—Cathy Anne MacCormac

(57) **CLAIM**

The ornamental design for a bobber bird house, substantially as shown and described.

DESCRIPTION

FIG. 1 is an upper left perspective view of a bobber bird house showing my new design;
FIG. 2 is a reduced front elevation view thereof;
FIG. 3 is a left side view of FIG. 2;
FIG. 4 is a right side view of FIG. 2;
FIG. 5 is a rear elevation view of FIG. 2;
FIG. 6 is a top view of FIG. 2; and,
FIG. 7 is a bottom view of FIG. 2.

The broken lines are for illustration only and form no part of the claimed design.

1 Claim, 4 Drawing Sheets

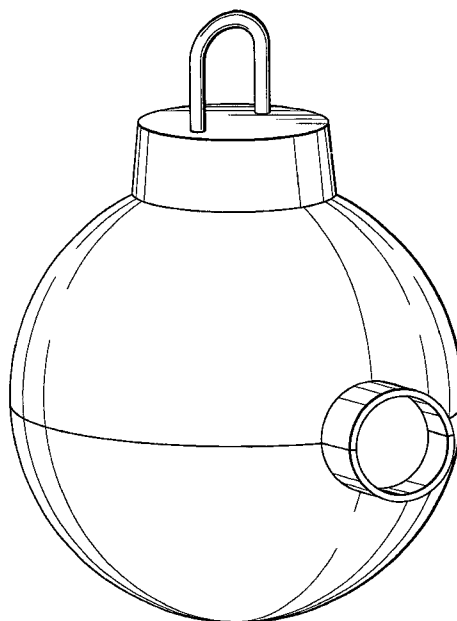


Fig. 1

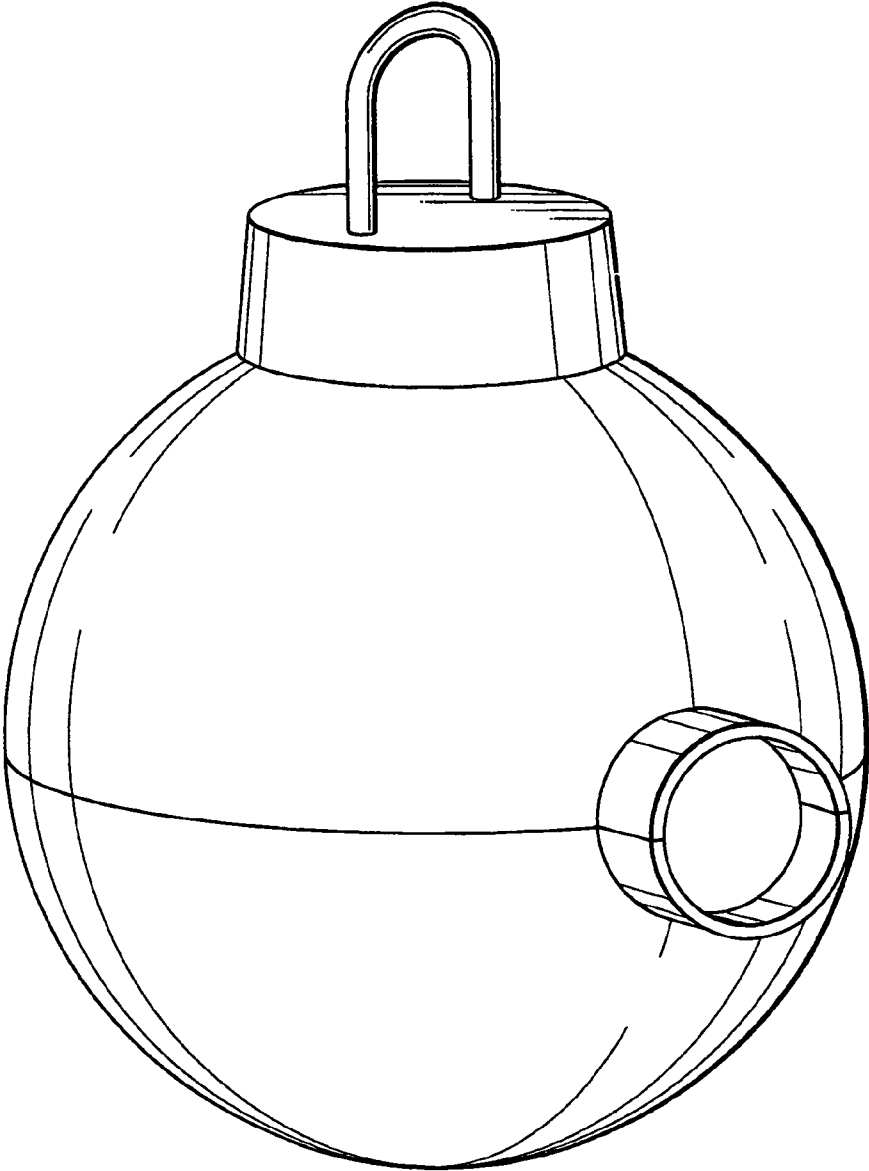


Fig. 2

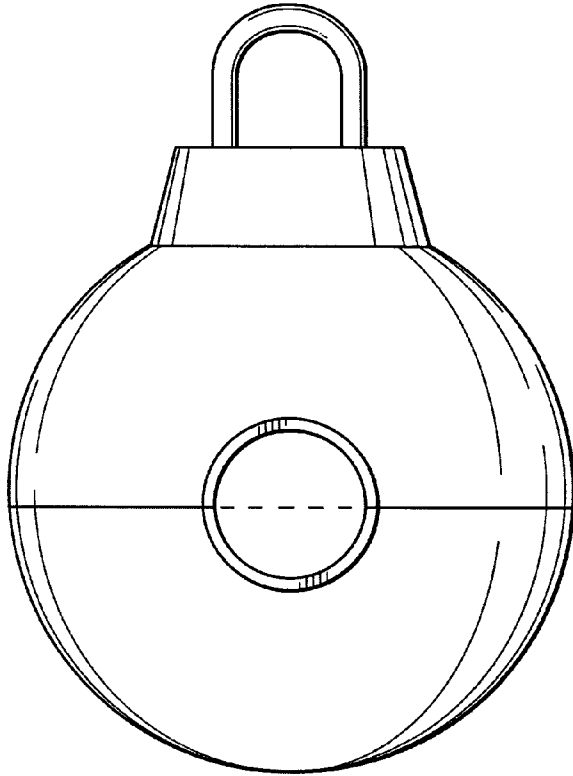


Fig. 3

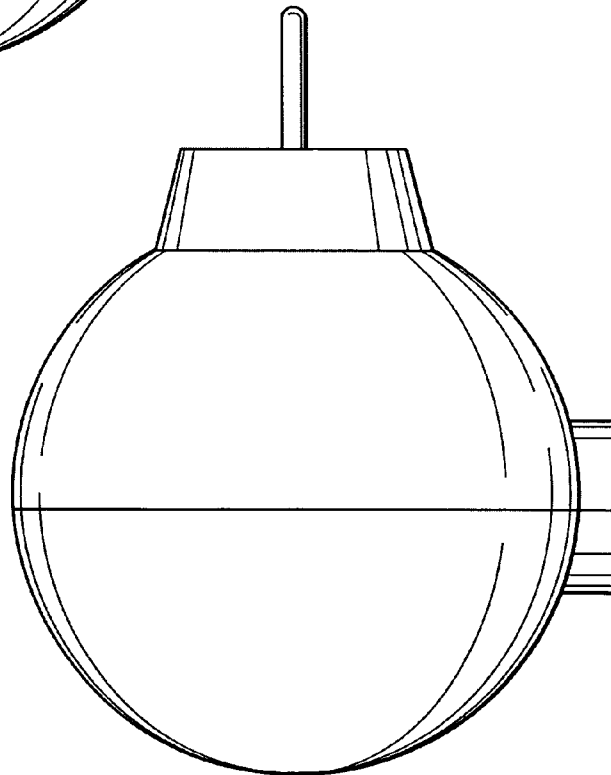


Fig. 4

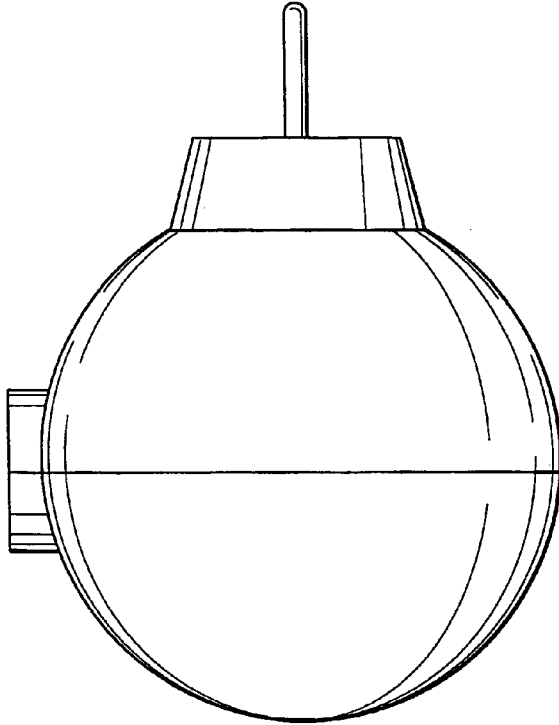


Fig. 5

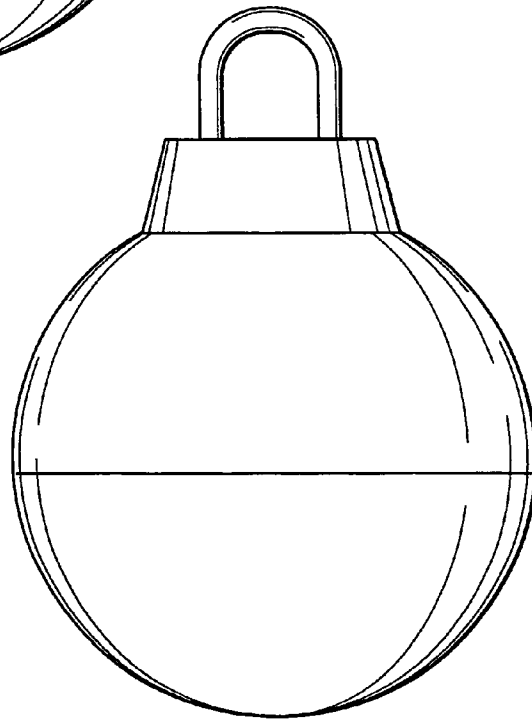


Fig. 6

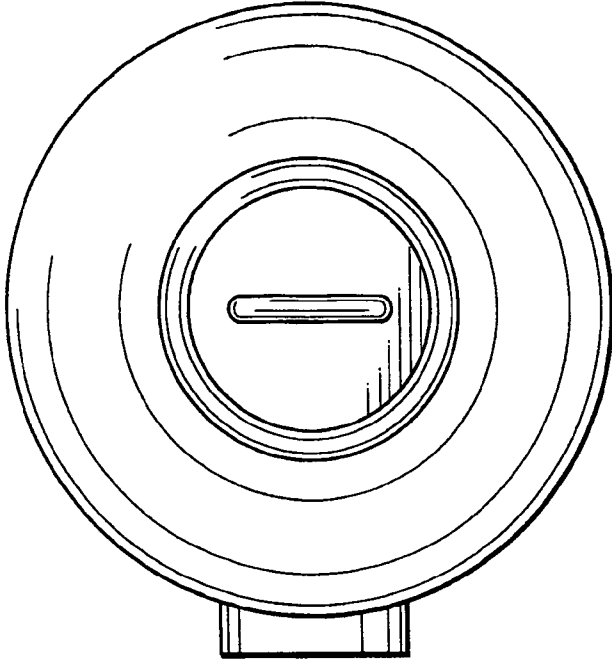


Fig. 7

