



US0D1045480S

(12) **United States Design Patent**  
**Houck et al.**

(10) **Patent No.:** **US D1,045,480 S**  
(45) **Date of Patent:** **\*\* Oct. 8, 2024**

- (54) **DIPPING TROUGH**
- (71) Applicants: **Adrienne Houck**, Shoreline, WA (US);  
**Bradley Houck**, Shoreline, WA (US)
- (72) Inventors: **Adrienne Houck**, Shoreline, WA (US);  
**Bradley Houck**, Shoreline, WA (US)
- (\*\*) Term: **15 Years**
- (21) Appl. No.: **29/859,795**
- (22) Filed: **Nov. 14, 2022**
- (51) **LOC (14) Cl.** ..... **07-01**
- (52) **U.S. Cl.**  
USPC ..... **D7/300**
- (58) **Field of Classification Search**  
USPC ..... D7/300, 302, 306, 307, 308, 309, 310,  
D7/311, 312, 313, 314, 315, 316, 317,  
D7/318, 319, 321, 354, 360, 397, 398,  
D7/399, 400, 401, 407, 409, 550.1, 553.6,  
D7/601  
CPC ..... A47G 19/12; A47J 43/18; A47J 37/0694;  
A47J 31/0573; A47J 37/067; A47J 31/02;  
A47J 37/06; B67D 3/0009; B67D 1/0021;  
B67D 1/16; B67D 1/06; F24C 15/14;  
F24C 15/10  
See application file for complete search history.

5,960,995	A *	10/1999	Leatherman	.....	B67D 1/16
					137/313
D423,284	S *	4/2000	Fischer	.....	D7/400
D442,027	S *	5/2001	Peters	.....	D7/397
6,279,781	B1 *	8/2001	Konar	.....	B67D 1/16
					222/108
D468,163	S *	1/2003	Blake	.....	D7/601
D482,366	S *	11/2003	Rowell	.....	D3/304
D542,088	S *	5/2007	Albrecht	.....	D7/400
D550,042	S *	9/2007	Chapple	.....	D7/397
D582,721	S *	12/2008	Stange	.....	D7/550.1
D593,796	S *	6/2009	Kevan	.....	D7/400
D651,043	S *	12/2011	Sarnoff	.....	D7/354
D667,633	S *	9/2012	Searcy	.....	D3/313
9,469,518	B2 *	10/2016	Davis	.....	B67D 1/0891
D887,217	S *	6/2020	Dubbelman	.....	D7/553.6
2002/0112309	A1 *	8/2002	Rougeau	.....	B44D 3/122
					15/257.06
2003/0200961	A1 *	10/2003	Tiernan	.....	F24C 15/14
					126/30

\* cited by examiner

*Primary Examiner* — Joseph Kukella  
*Assistant Examiner* — Darryl J Dardenne  
(74) *Attorney, Agent, or Firm* — Alloy Patent Law;  
Walker Griffin Weitzel

(57) **CLAIM**

The ornamental design for a dipping trough, substantially as shown and described.

(56) **References Cited**

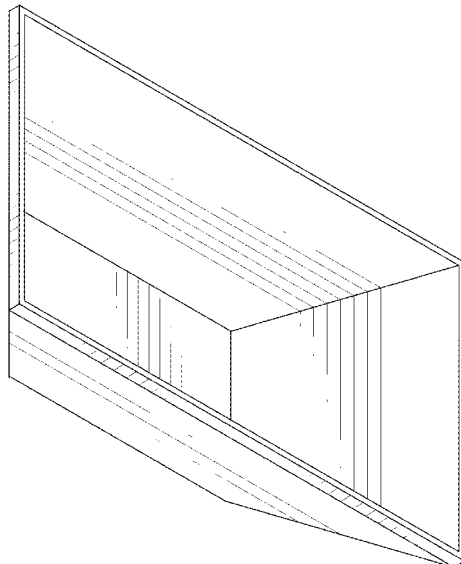
U.S. PATENT DOCUMENTS

2,534,793	A *	12/1950	Olson	.....	A47J 47/20
					4/658
D202,134	S *	8/1965	Bryan	.....	D32/53.1
D282,139	S *	1/1986	Radford	.....	D7/359
D303,304	S *	9/1989	Sabatino	.....	D32/53.1
D326,795	S *	6/1992	Reitz	.....	D7/550.1
D401,474	S *	11/1998	Leatherman	.....	D7/300
5,836,043	A *	11/1998	Rovas	.....	B44D 3/126
					D32/53.1
D410,172	S *	5/1999	Lalonde	.....	D7/300

**DESCRIPTION**

FIG. 1 is a top-left-front isometric view of a dipping trough,  
FIG. 2 is a bottom-right-back isometric view thereof,  
FIG. 3 is a top view thereof,  
FIG. 4 is a bottom view thereof,  
FIG. 5 is a left view thereof,  
FIG. 6 is a right view thereof,  
FIG. 7 is a back view thereof; and,  
FIG. 8 is a front view thereof.

**1 Claim, 5 Drawing Sheets**



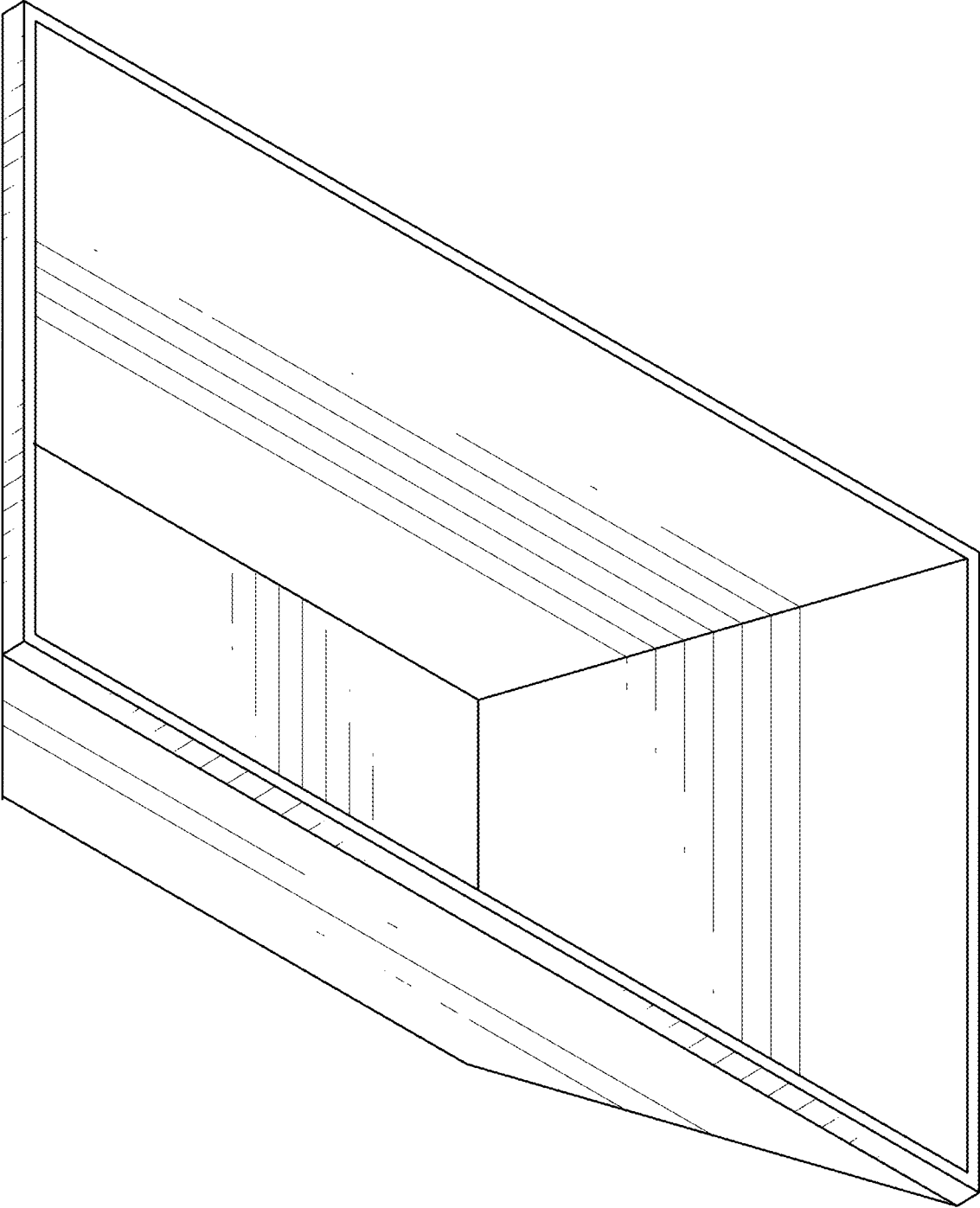


FIG. 1

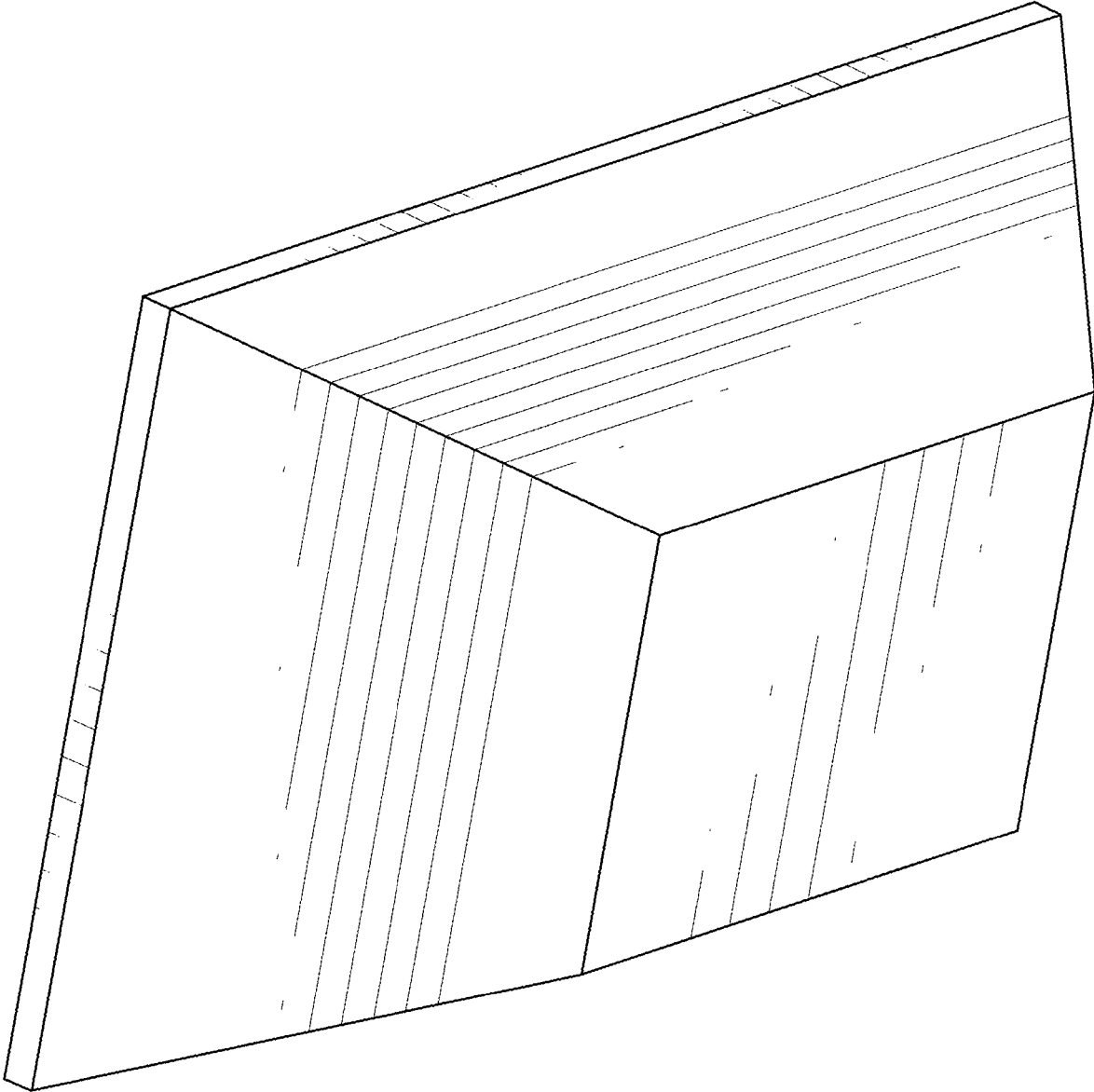


FIG. 2

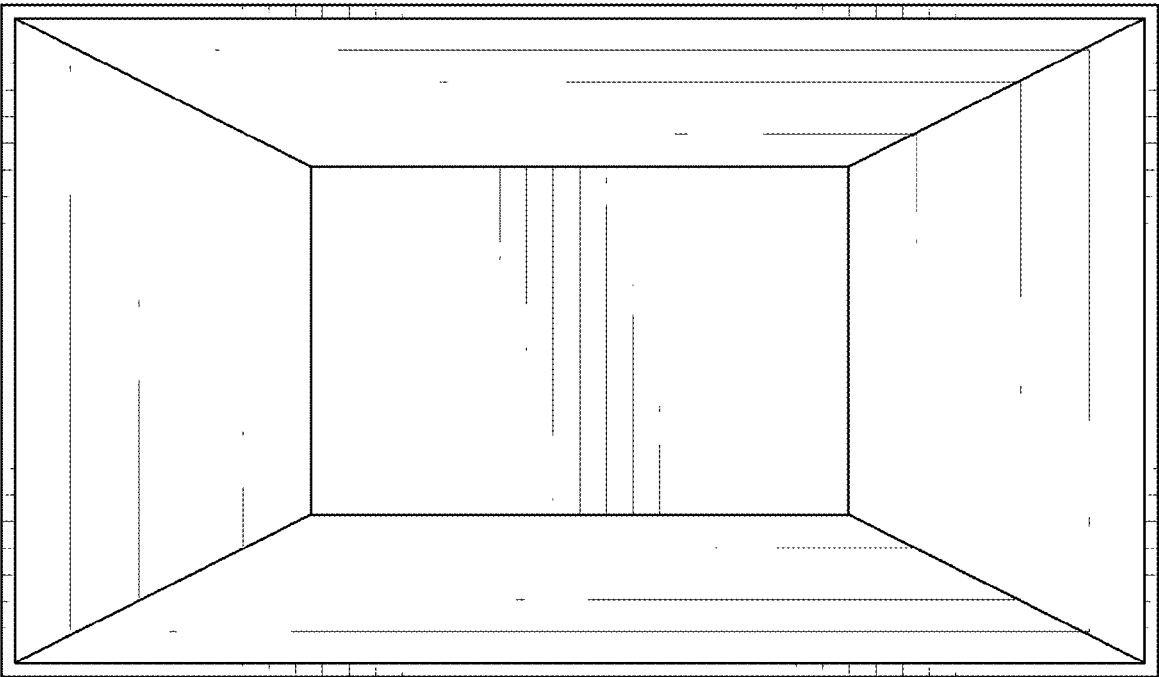


FIG. 3

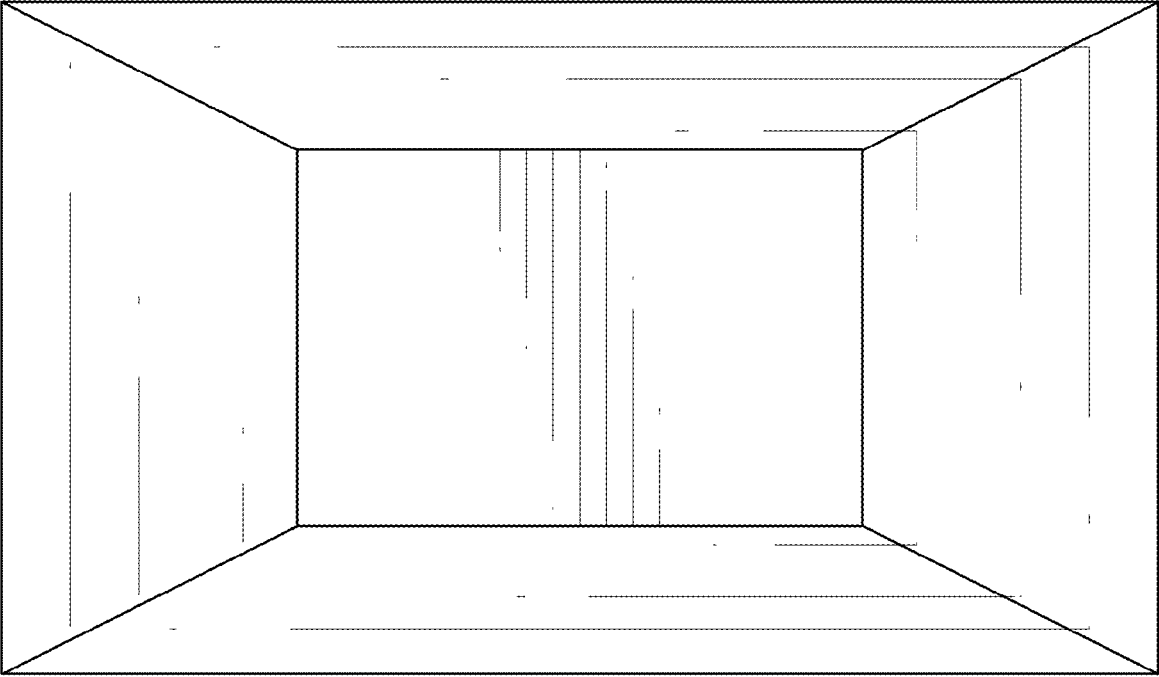


FIG. 4

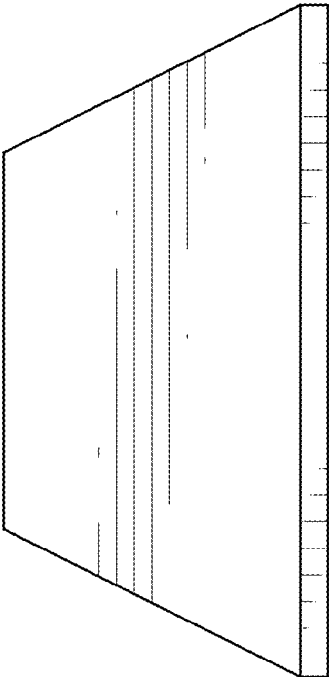


FIG. 5

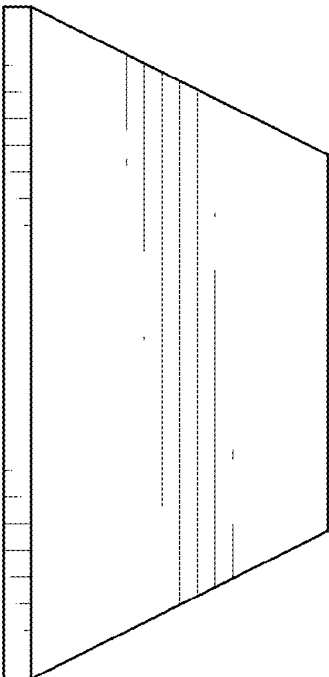


FIG. 6

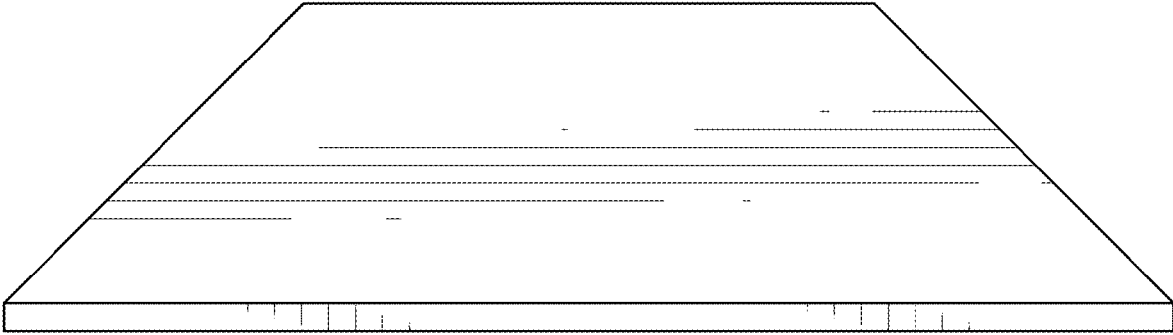


FIG. 7

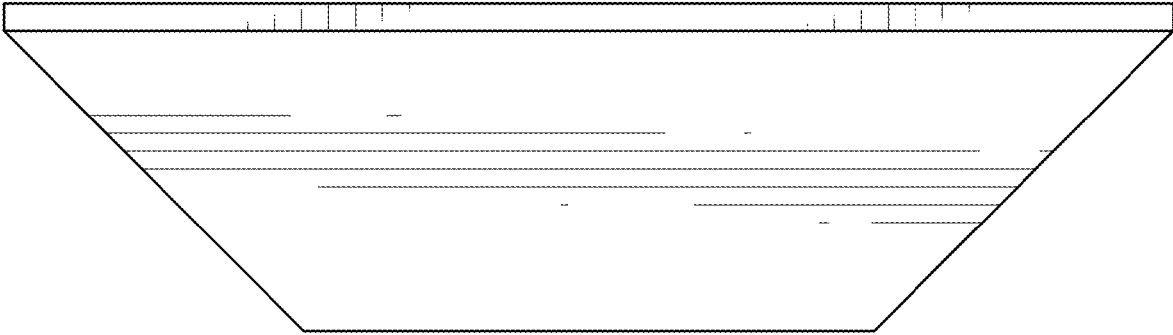


FIG. 8