



(12) **United States Design Patent**  
**Williams**

(10) **Patent No.:** **US D909,229 S**  
(45) **Date of Patent:** **\*\* Feb. 2, 2021**

- (54) **BRACELET**
- (71) Applicant: **MMW S.R.L.**, Ferrara (IT)
- (72) Inventor: **Matthew Michael Williams**, Milan (IT)
- (73) Assignee: **MMW S.R.L.**, Ferrara (IT)
- (\*\*) Term: **15 Years**
- (21) Appl. No.: **29/706,371**

D520,897 S *	5/2006	Sandberg	.....	D11/34
D562,173 S *	2/2008	Hardy	.....	D11/4
D652,337 S *	1/2012	Molik	.....	D11/3
D721,609 S *	1/2015	Duddy	.....	D11/3
D740,140 S *	10/2015	Behar	.....	D10/70
D752,469 S *	3/2016	Rastrick	.....	D11/3
D808,290 S *	1/2018	Hardy	.....	D11/3

- (22) Filed: **Sep. 19, 2019**
- (51) **LOC (13) Cl.** ..... **11-01**
- (52) **U.S. Cl.**  
USPC ..... **D11/4**
- (58) **Field of Classification Search**  
USPC ..... D11/1-23, 26, 34, 37, 38  
CPC .... A44C 5/00; A44C 5/02; A44C 5/08; A44C  
5/084; A44C 5/0092; A44C 5/12; A44C  
5/0061; A44C 5/0076; A44C 5/022; A44C  
5/025; A44C 5/027; A44C 5/102; A44C  
5/105; A44C 17/02; G09F 3/005  
See application file for complete search history.

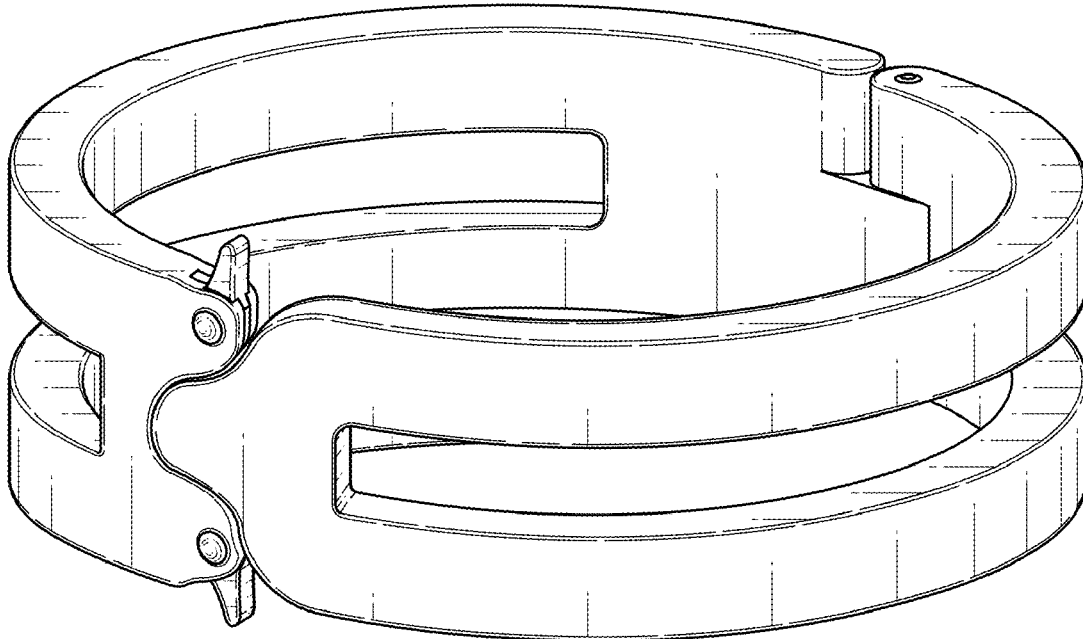
**OTHER PUBLICATIONS**  
Rollercoaster Track Bracelet (available online) Retrieved from the internet Sep. 21, 2020 from URL: <https://www.alyxstudio.com/collections/jewelry>.\*

\* cited by examiner  
*Primary Examiner* — Kevin K Rudzinski  
*Assistant Examiner* — Richard Kearney  
(74) *Attorney, Agent, or Firm* — David B. Tingey; Bryant J. Keller; Kirton McConkie

- (56) **References Cited**  
**U.S. PATENT DOCUMENTS**  
210,119 A \* 11/1878 Heckmann ..... A44C 5/0092  
63/7  
228,425 A \* 6/1880 Vester ..... A44C 5/12  
63/8  
236,806 A \* 1/1881 Hammond ..... A44C 5/0092  
63/6  
1,957,161 A \* 5/1934 Dubassoff ..... A44C 5/0092  
63/3  
2,346,607 A \* 4/1944 Raiman ..... A44C 9/02  
63/15  
D377,769 S \* 2/1997 Roemer ..... D11/26

(57) **CLAIM**  
The ornamental design for a bracelet, as shown and described.

**DESCRIPTION**  
FIG. 1 is front right perspective view showing my new design of a bracelet;  
FIG. 2 is a front elevation view thereof;  
FIG. 3 is a back elevation view thereof;  
FIG. 4 is a right elevation view thereof;  
FIG. 5 is a left elevation view thereof;  
FIG. 6 is a top plan view thereof; and,  
FIG. 7 is a bottom plan view thereof.  
**1 Claim, 5 Drawing Sheets**



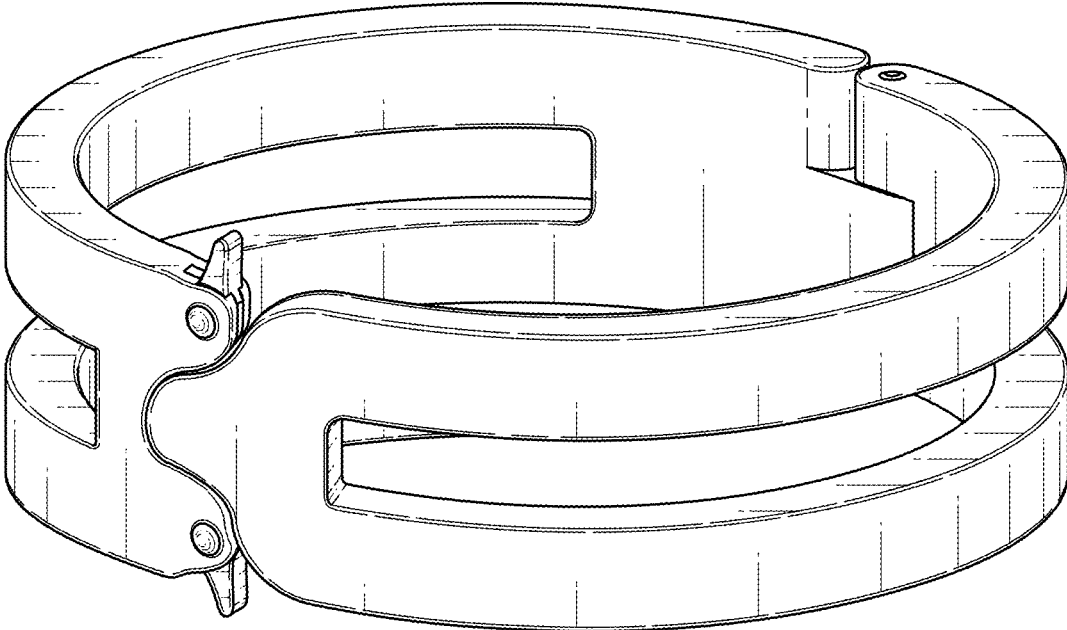


FIG. 1

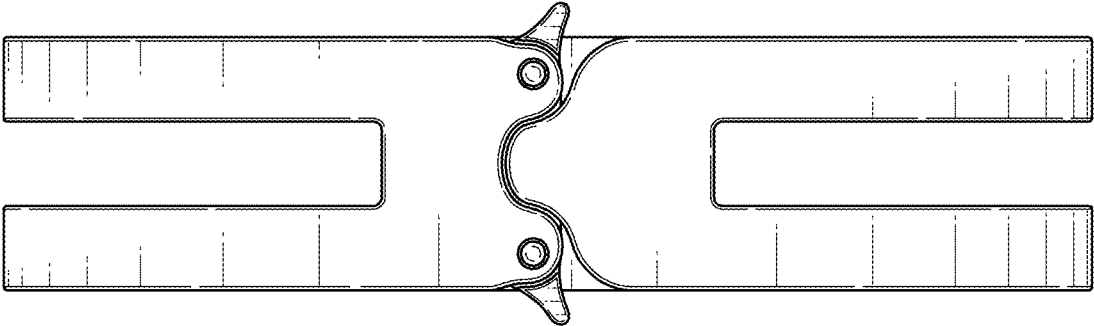


FIG. 2

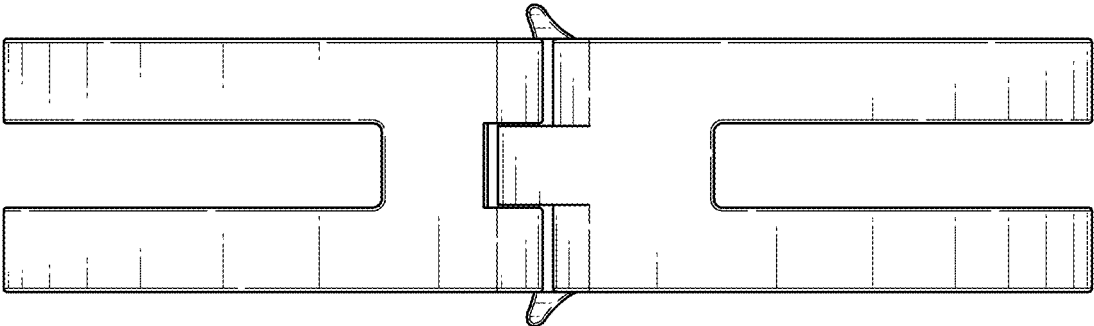


FIG. 3

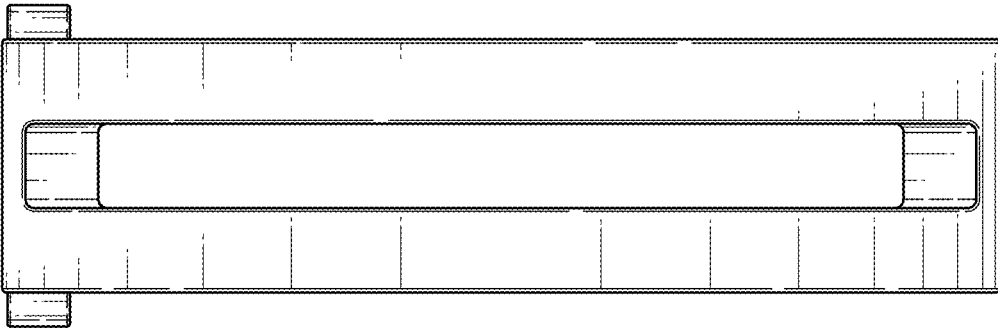


FIG. 4

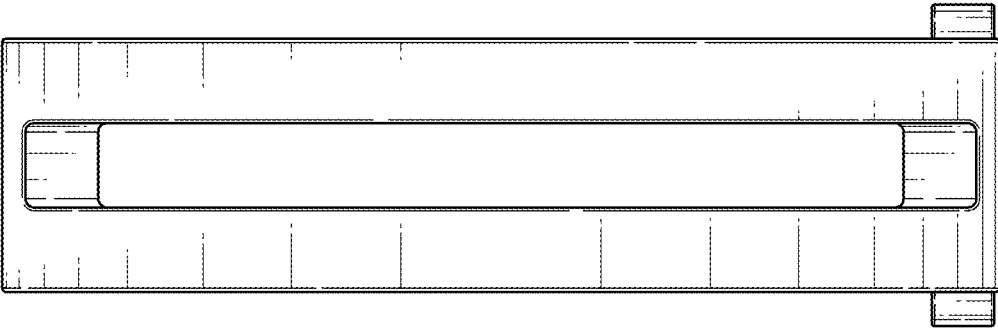


FIG. 5

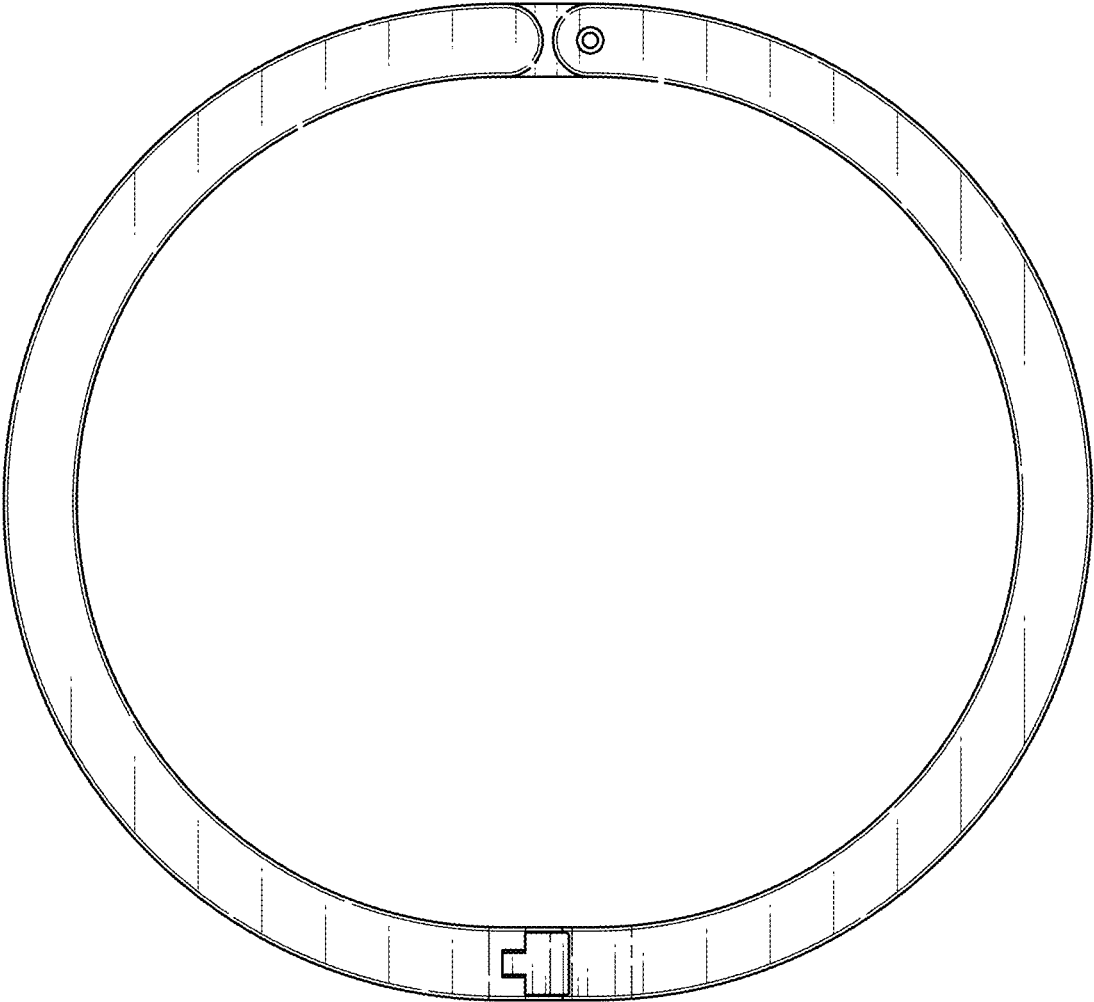


FIG. 6

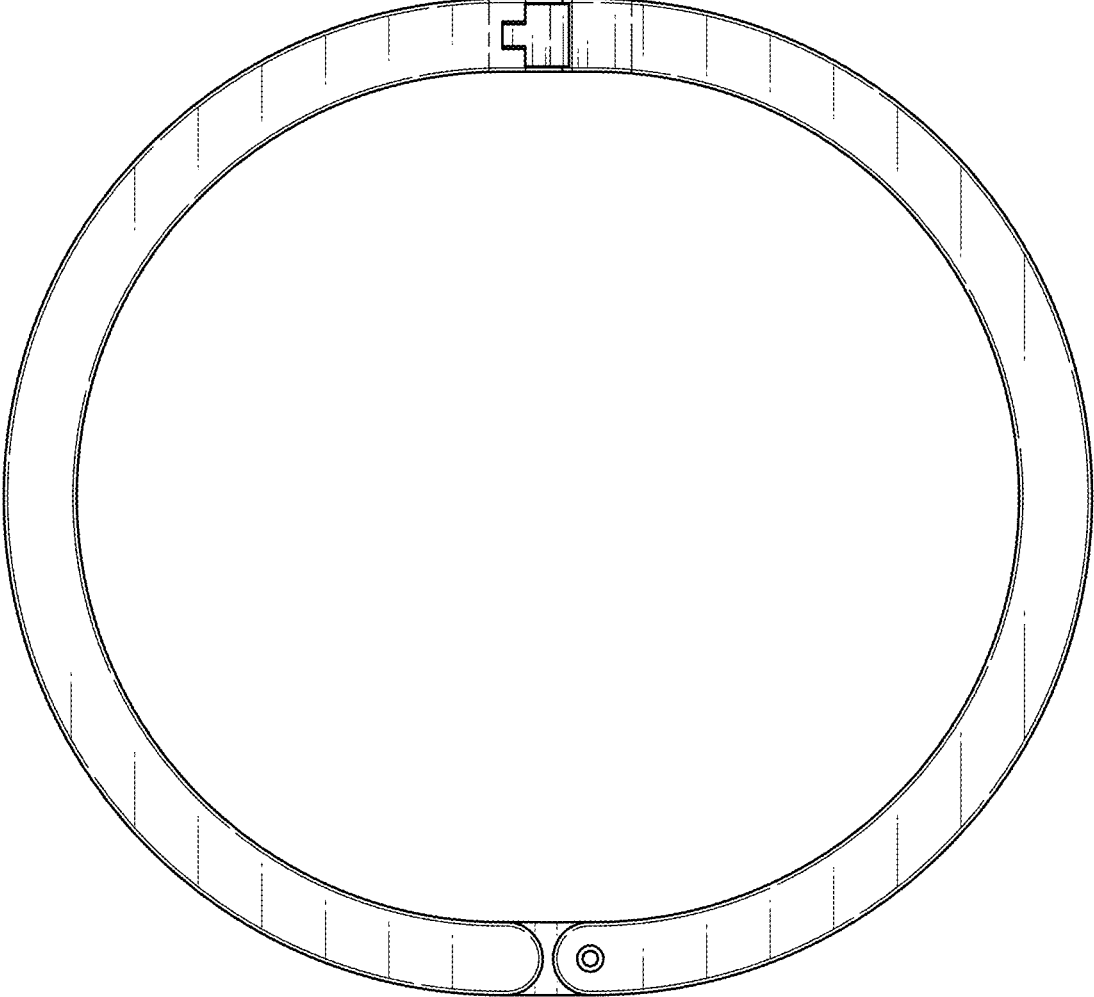


FIG. 7