



US00D920400S

(12) **United States Design Patent**
Saito

(10) **Patent No.:** **US D920,400 S**

(45) **Date of Patent:** **** May 25, 2021**

(54) **FOLLOW PLATE FOR CARTRIDGE FOR LUBRICANT FEEDER**

(71) Applicant: **LUBE CORPORATION**, Tokyo (JP)

(72) Inventor: **Keizo Saito**, Tokyo (JP)

(73) Assignee: **LUBE CORPORATION**, Tokyo (JP)

(**) Term: **15 Years**

(21) Appl. No.: **29/719,719**

(22) Filed: **Jan. 7, 2020**

Related U.S. Application Data

(62) Division of application No. 35/505,854, filed on Dec. 27, 2017 (U.S. filing date under 35 U.S.C. 384), and having an international filing date of Dec. 27, 2017, now Pat. No. Des. 890,232.

Foreign Application Priority Data

Jun. 29, 2017 (JP) 2017-13984

(51) **LOC (13) Cl.** **15-09**

(52) **U.S. Cl.**

USPC **D15/138**

CPC **F16N 7/12** (2013.01)

(58) **Field of Classification Search**

USPC D15/138, 150-152; 186/6.14, 76

CPC F16N 7/12; F16N 7/06

See application file for complete search history.

(56) **References Cited**

U.S. PATENT DOCUMENTS

1,693,087 A * 11/1928 Laughery F16N 7/02
184/76

2,209,939 A * 7/1940 Schauer F16N 7/02
184/6.14

4,920,876 A * 5/1990 Cruse B30B 1/18
100/289

2019/0232319 A1* 8/2019 Ou B05B 17/0607

* cited by examiner

Primary Examiner — Richard E Chilcot

(74) *Attorney, Agent, or Firm* — Manabu Kanesaka

(57) **CLAIM**

The ornamental design for a follow plate for cartridge for lubricant feeder, as shown and described.

DESCRIPTION

FIG. 1 is a perspective view of a follow plate for cartridge for lubricant feeder showing my new design;

FIG. 2 is a front view thereof, a rear view being identical to the front view thereof;

FIG. 3 is a right side view thereof, a left side view being identical to the right side view thereof;

FIG. 4 is a top view thereof;

FIG. 5 is a referential cross-sectional view thereof, sectioned horizontally at the center of FIG. 4;

FIG. 6 is a referential cross-sectional view thereof, in which the follow plate is provided in a cartridge;

FIG. 7 is a bottom view thereof; and,

FIG. 8 is an enlarged referential view of a part of FIG. 2.

The parts shown by means of broken lines in the follow plate for cartridge for lubricant feeder are not part of the claimed design.

1 Claim, 4 Drawing Sheets

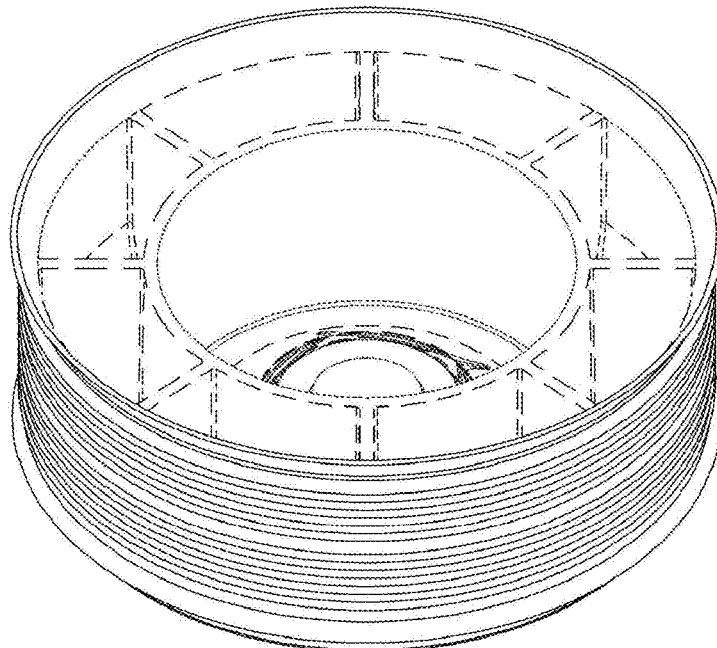


FIG. 1

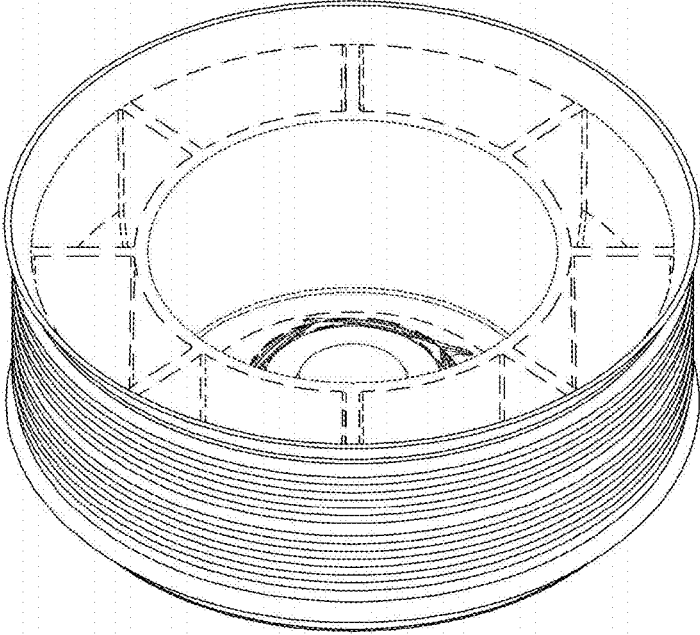


FIG. 2

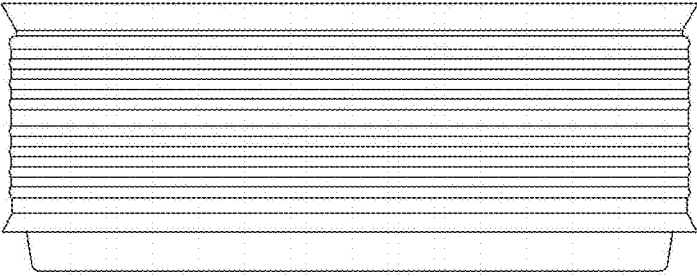


FIG. 3

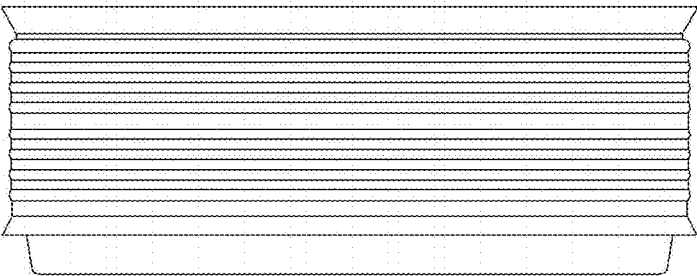


FIG. 4

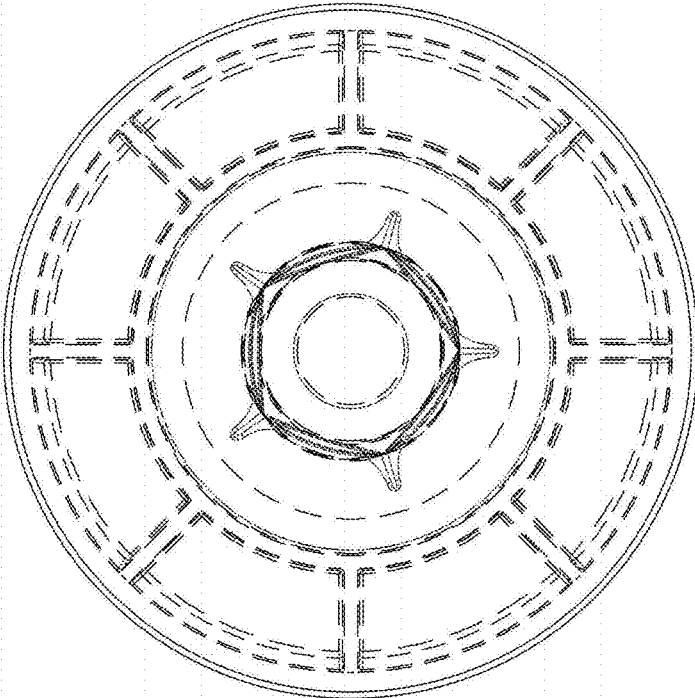


FIG. 5

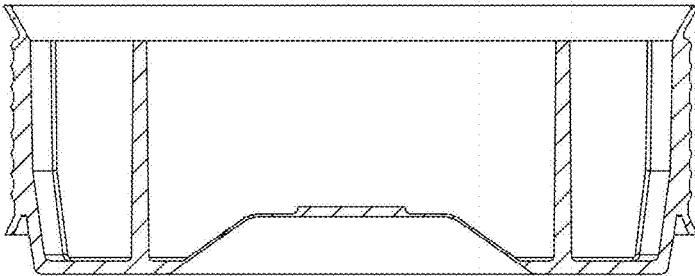


FIG. 6

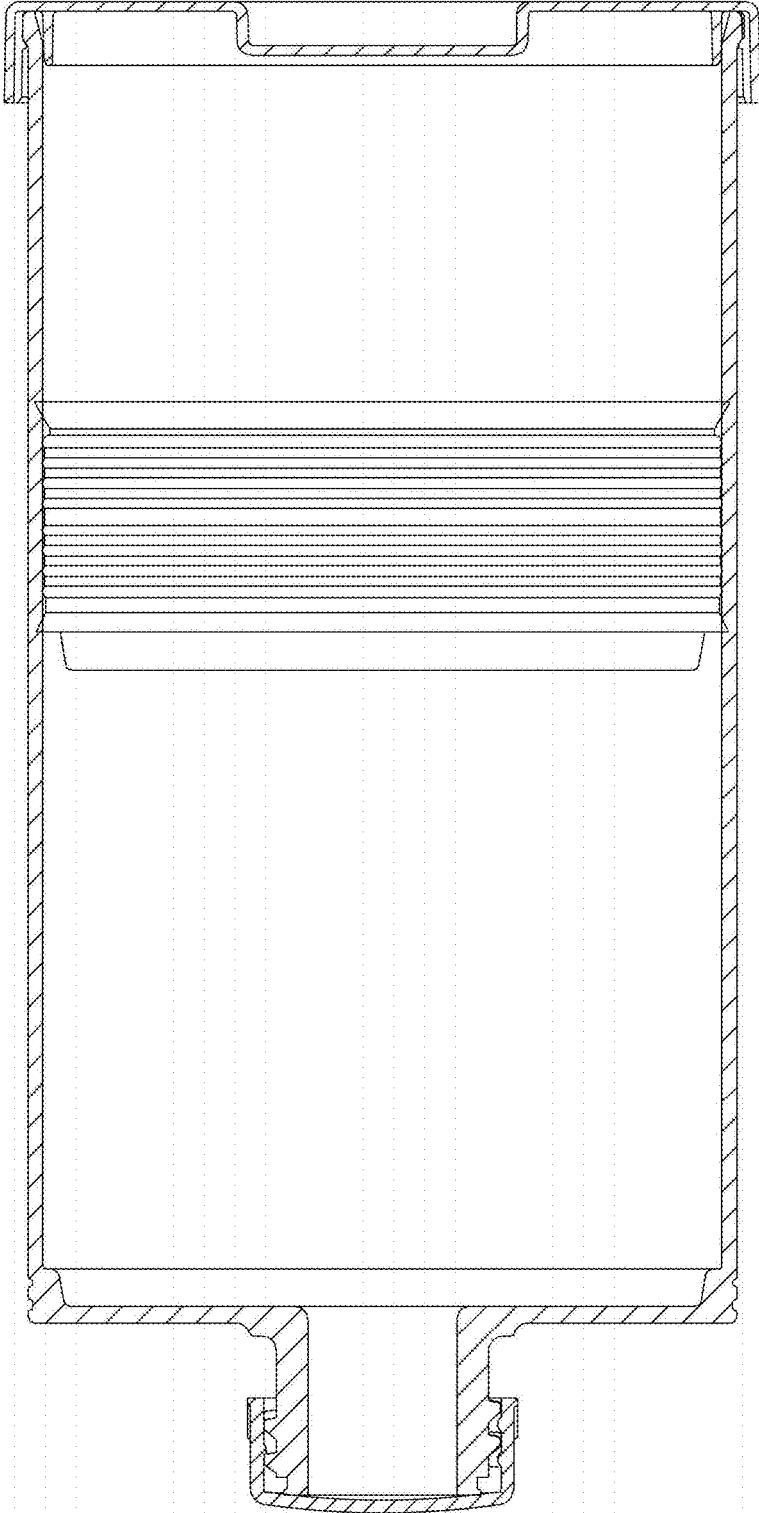


FIG. 7

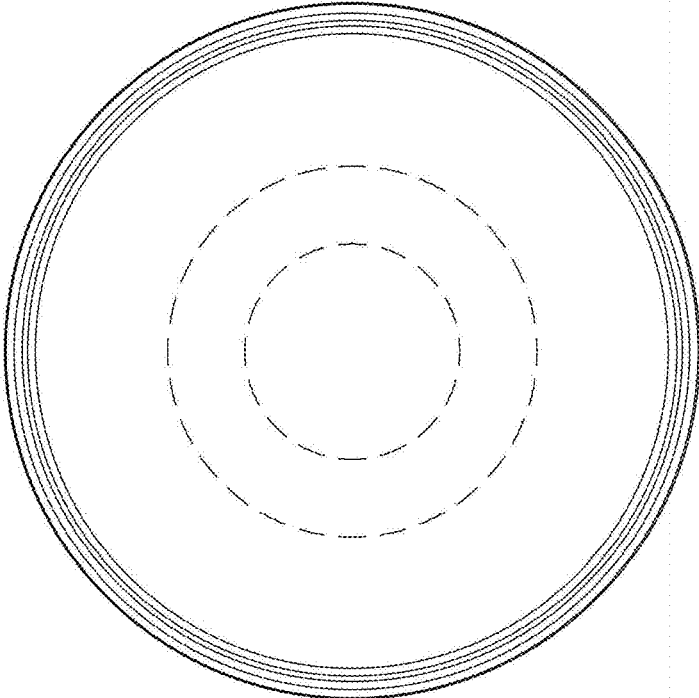


FIG. 8

