



US00D678067S

(12) **United States Design Patent**
Jones et al.

(10) **Patent No.:** **US D678,067 S**
(45) **Date of Patent:** **** Mar. 19, 2013**

(54) **TRAY ASSEMBLY FOR A DISPENSING CONTAINER**

(75) Inventors: **Wesley Steven Jones**, Lexington, NC (US); **Jerry Wayne Pipes**, Clemmons, NC (US)

(73) Assignee: **R.J. Reynolds Tobacco Company**, Winston-Salem, NC (US)

(**) Term: **14 Years**

(21) Appl. No.: **29/429,247**

(22) Filed: **Aug. 8, 2012**

Related U.S. Application Data

(62) Division of application No. 29/386,800, filed on Mar. 4, 2011, now Pat. No. Des. 667,304.

(51) **LOC (9) Cl.** **09-07**

(52) **U.S. Cl.** **D9/456**

(58) **Field of Classification Search** D9/456,
D9/455, 434; D3/328, 319, 313, 295, 294,
D3/273, 203.8, 203.6, 203.1, 201; D25/141,
D25/125, 123, 115, 114, 113; 428/152, 150,
428/141; 410/154; 206/711, 710

See application file for complete search history.

(56) **References Cited**

U.S. PATENT DOCUMENTS

194,197 A	8/1877	Villaret
2,090,530 A	8/1937	Guffy et al.
D134,249 S	9/1942	Button
3,696,917 A	10/1972	Levi
3,782,584 A	1/1974	Swenson et al.
3,895,737 A	7/1975	Phillips
4,007,828 A	2/1977	Mayled
4,057,145 A	11/1977	Wray et al.
4,154,365 A	5/1979	Lorca
D254,296 S	2/1980	Doneaux
4,284,204 A	8/1981	Carey, Jr.
4,437,579 A	3/1984	Obland
4,561,544 A	12/1985	Reeve
4,572,376 A	2/1986	Wrennall
4,611,727 A	9/1986	Graff

4,705,165 A	11/1987	Thieke
D307,555 S	5/1990	Haenni et al.
5,108,006 A	4/1992	Tieke et al.
5,174,471 A	12/1992	Kozlowski et al.
5,275,291 A	1/1994	Sledge
D382,200 S	8/1997	Brondyke et al.
5,657,901 A	8/1997	Farside
5,729,955 A	3/1998	Yamada
D393,591 S	4/1998	Baryshyan
5,782,359 A	7/1998	McAllister et al.
5,816,441 A	10/1998	Farside
5,897,025 A	4/1999	Flewitt et al.
5,909,822 A	6/1999	George et al.
5,915,560 A	6/1999	George et al.
6,131,765 A	10/2000	Barry et al.
6,155,454 A	12/2000	George et al.
D444,058 S	6/2001	Hampshire et al.
6,267,265 B1	7/2001	Issa
6,460,693 B1	10/2002	Harrold

(Continued)

FOREIGN PATENT DOCUMENTS

CH	180218 A	10/1935
GB	686 870	2/1953

(Continued)

Primary Examiner — Susan Bennett Hattan

(74) *Attorney, Agent, or Firm* — Womble Carlyle Sandridge & Rice, LLP

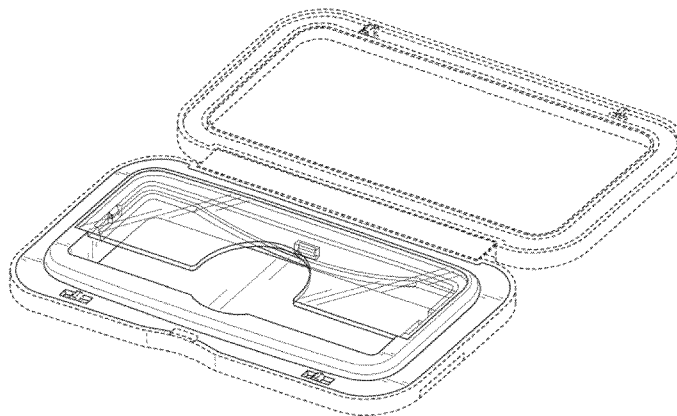
(57) **CLAIM**

The ornamental design for a tray assembly for a dispensing container, as shown and described.

DESCRIPTION

FIG. 1 is a top, front perspective view of the new design for a tray assembly for a dispensing container, the tray assembly having a transparent cover portion;
FIG. 2 is a top, rear perspective view thereof;
FIG. 3 is a top plan view thereof;
FIG. 4 is an exploded front view thereof; and,
FIG. 5 is an exploded rear view thereof.
The broken lines shown herein depict environmental subject matter only and form no part of the claimed design.

1 Claim, 5 Drawing Sheets



U.S. PATENT DOCUMENTS

6,527,138	B2	3/2003	Pawlo et al.	
6,758,338	B2	7/2004	Lien	
D495,545	S	9/2004	Niehues	
6,863,175	B2	3/2005	Gelardi	
6,913,149	B2	7/2005	Gelardi et al.	
6,976,576	B2	12/2005	Intini	
D531,499	S	11/2006	Zaidman	
7,159,720	B2	1/2007	Pearson	
7,216,776	B2	5/2007	Gelardi	
7,288,745	B2	10/2007	Colonna	
7,353,969	B2	4/2008	McHutchinson	
D572,588	S	7/2008	Osborn et al.	
D589,798	S	4/2009	Liipola	
D595,056	S	6/2009	Pettersson	
7,565,969	B2	7/2009	He	
7,588,149	B2	9/2009	Gelardi	
D608,593	S	1/2010	Follansbee et al.	
7,712,630	B2	5/2010	He	
D631,353	S	1/2011	Gelardi et al.	
D631,354	S	1/2011	Gelardi et al.	
D631,747	S	2/2011	Gelardi et al.	
D633,388	S	3/2011	Andre et al.	
D638,297	S	5/2011	Gelardi et al.	
D639,162	S	6/2011	Gelardi et al.	
D639,163	S	6/2011	Gelardi et al.	
8,091,779	B2 *	1/2012	Holt et al.	235/380
D655,165	S *	3/2012	Jensen et al.	D9/456
D660,723	S *	5/2012	Akana et al.	D9/737
D661,190	S *	6/2012	Fahy	D9/456
D663,205	S *	7/2012	Nelson et al.	D9/456
D663,206	S *	7/2012	Nelson et al.	D9/456
D667,301	S *	9/2012	Jones et al.	D9/456
2002/0096517	A1	7/2002	Gelardi	

2002/0175195	A1	11/2002	Cole
2004/0217024	A1	11/2004	Arnarp et al.
2005/0173272	A1	8/2005	Lemmons, IV
2006/0060480	A1	3/2006	Budd
2006/0118589	A1	6/2006	Arnarp et al.
2006/0124658	A1	6/2006	Coe et al.
2006/0243611	A1	11/2006	Wu
2007/0068960	A1	3/2007	Valentine et al.
2007/0163911	A1	7/2007	Gelardi
2007/0277299	A1	12/2007	Kroon
2008/0029110	A1	2/2008	Dube et al.
2008/0029116	A1	2/2008	Robinson et al.
2008/0035643	A1	2/2008	Hoffman
2009/0223989	A1	9/2009	Gelardi
2009/0266837	A1	10/2009	Gelardi et al.
2010/0018882	A1	1/2010	St. Charles
2010/0018883	A1	1/2010	Patel
2010/0084424	A1	4/2010	Gelardi
2010/0133140	A1	6/2010	Bailey et al.
2010/0264157	A1	10/2010	Bailey et al.
2011/0073610	A1	3/2011	Giraud et al.

FOREIGN PATENT DOCUMENTS

GB	2 042 476	9/1980
WO	WO 99/48391 A	9/1999
WO	WO 2004/035404 A1	4/2004
WO	WO 2005/016036 A1	2/2005
WO	WO 2005/030606 A1	4/2005
WO	WO 2005/035390 A1	4/2005
WO	WO 2007/017761 A2	2/2007
WO	WO 2007/067953 A2	6/2007
WO	WO 2007/070867 A2	6/2007
WO	WO 2008/070032 A2	6/2008

* cited by examiner

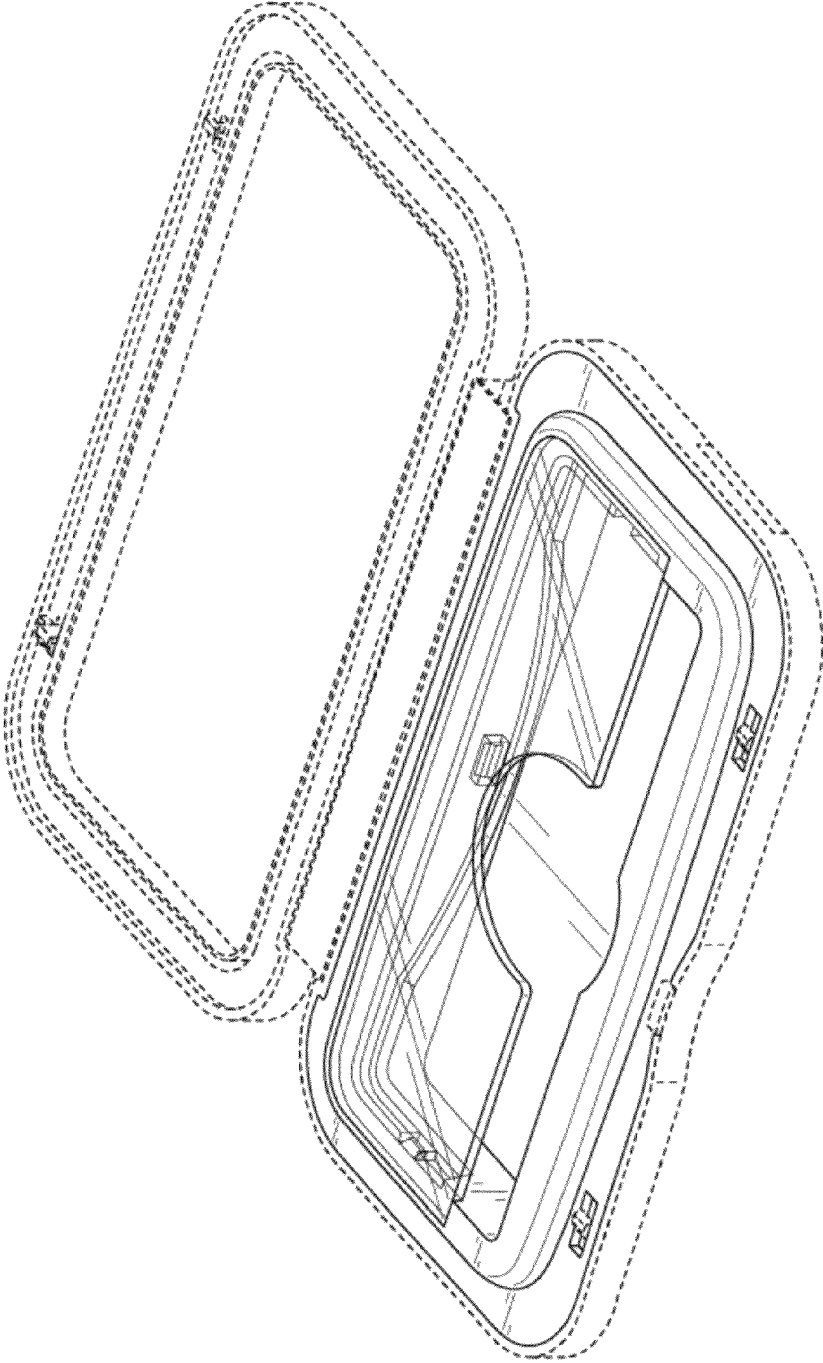


Fig. 1

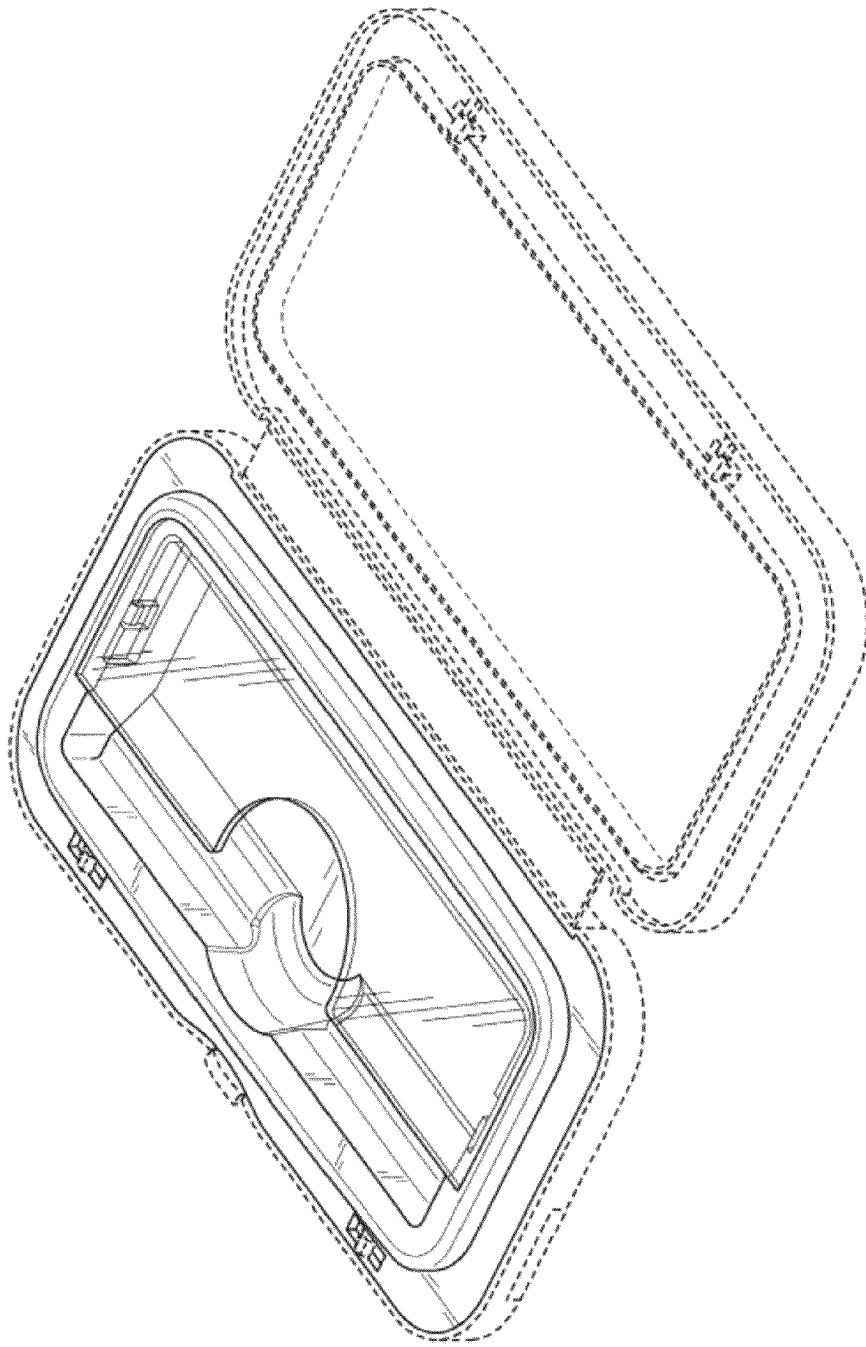


Fig. 2

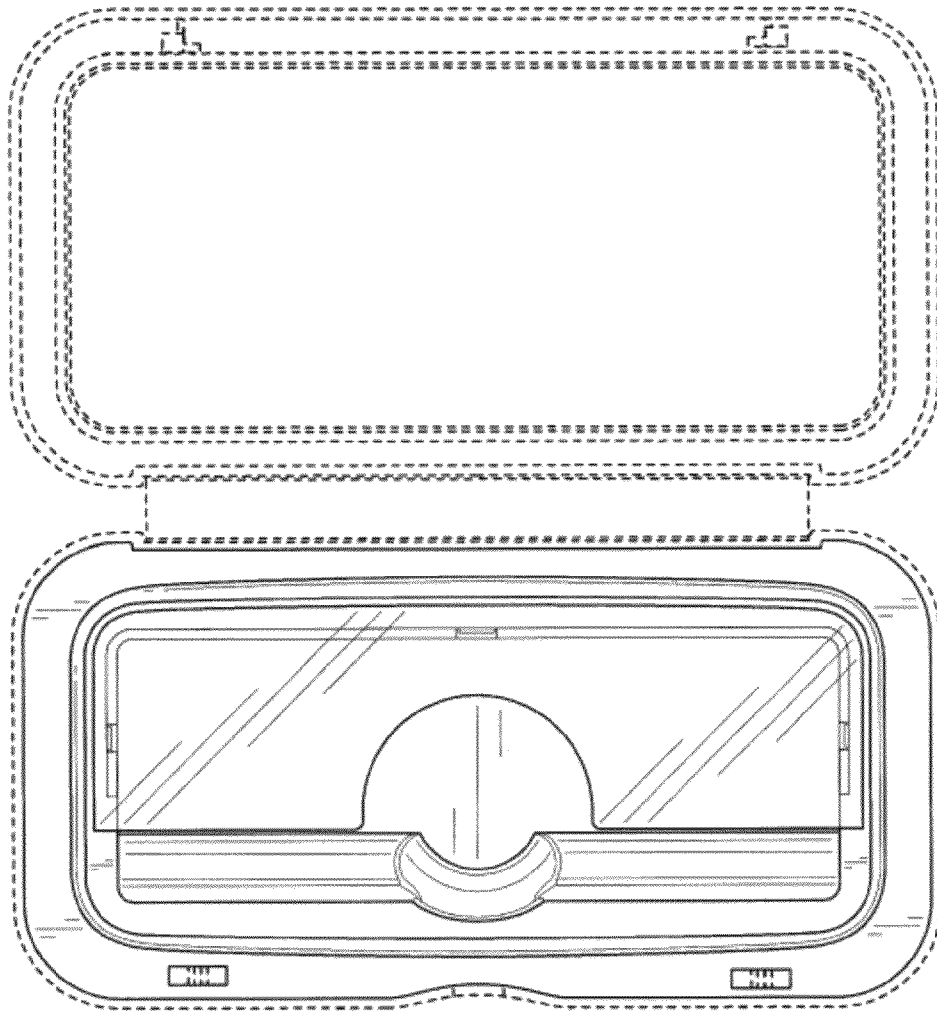


Fig. 3

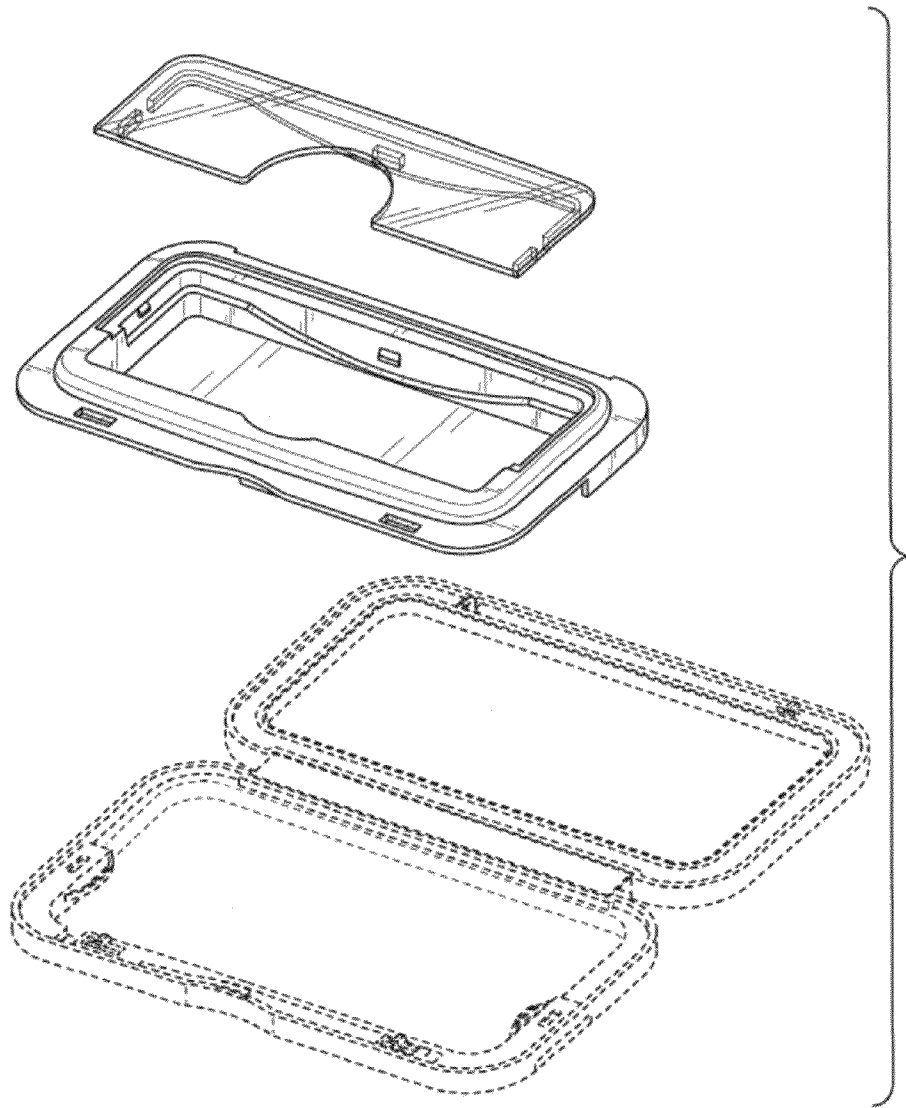


Fig. 4

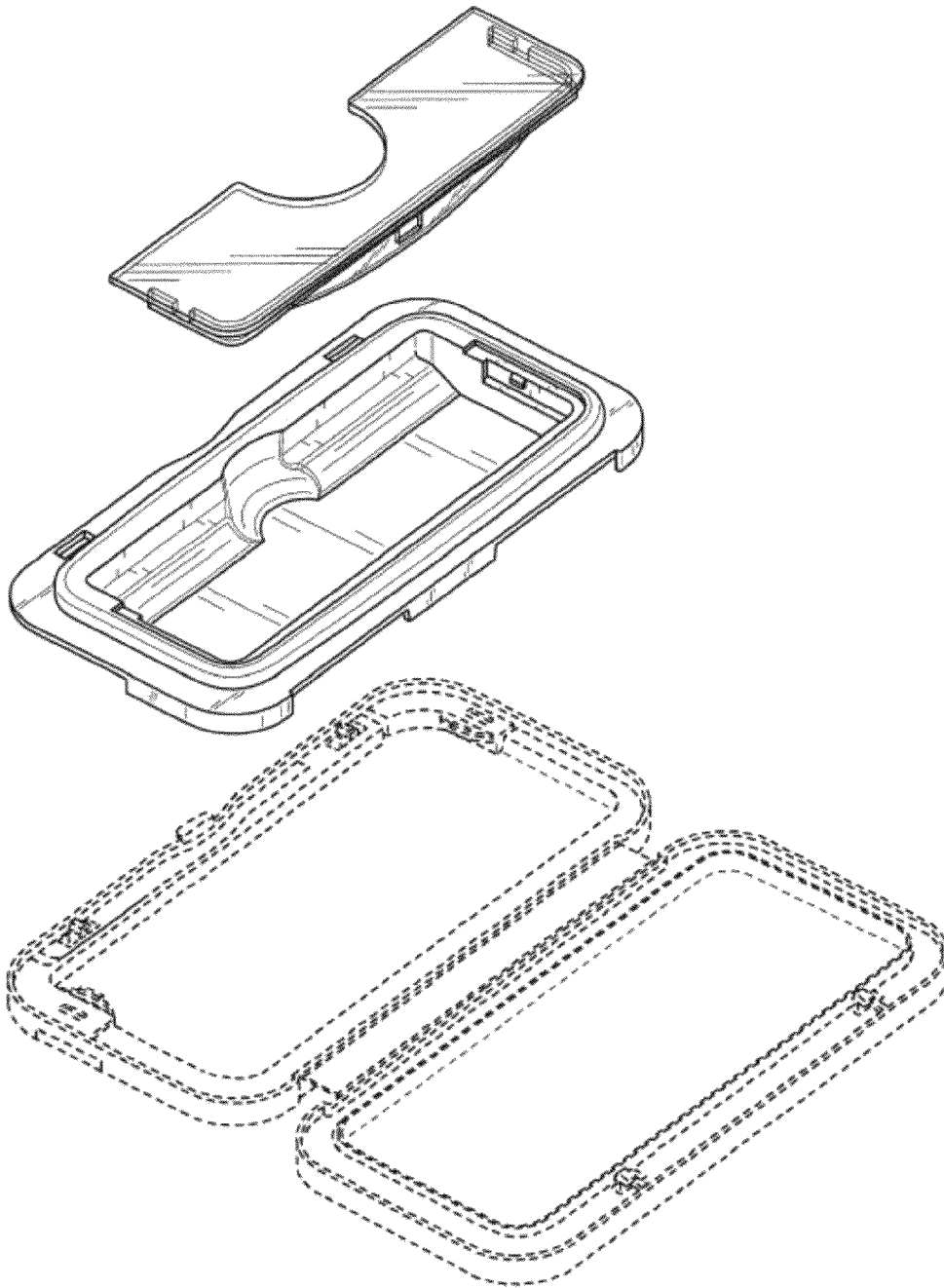


Fig. 5