



(12) **United States Design Patent**
McManigal

(10) **Patent No.:** **US D954,679 S**
(45) **Date of Patent:** **** *Jun. 14, 2022**

- (54) **PORTABLE SPEAKER**
- (71) Applicant: **Vizio Inc**, Irvine, CA (US)
- (72) Inventor: **Scott McManigal**, Irvine, CA (US)
- (73) Assignee: **Vizio Inc**, Irvine, CA (US)
- (*) Notice: This patent is subject to a terminal disclaimer.
- (**) Term: **15 Years**
- (21) Appl. No.: **29/545,650**
- (22) Filed: **Nov. 14, 2015**
- (51) **LOC (13) Cl.** **14-01**
- (52) **U.S. Cl.**
USPC **D14/215**
CPC **H04R 1/02** (2013.01)
- (58) **Field of Classification Search**
USPC D14/209–219, 167, 168, 170–172, 188,
D14/199, 194–196, 204, 221, 222, 224,
D14/496, 265, 516, 513
CPC H04R 1/02; H04R 1/021; H04R 1/023;
H04R 5/00; H04R 9/06; H04R 2420/07;
H04R 1/025; H04R 1/026; H04R 1/26;
H04R 1/2888; H04R 1/403; H04R 5/02;
H04R 19/02; H04R 2400/00
See application file for complete search history.

D807,320	S	*	1/2018	Wong	D14/204
D810,045	S	*	2/2018	Kim	D14/204
D811,368	S	*	2/2018	Fischer	D14/216
D839,855	S	*	2/2019	Park	D14/216
D849,794	S	*	5/2019	You	D14/497
D852,779	S	*	7/2019	Schmiedbauer	D14/210
D878,334	S	*	3/2020	Alves	D14/216
D886,765	S	*	6/2020	Wilberding	D14/204
D886,790	S	*	6/2020	Yang	D14/204
D905,663	S	*	12/2020	Wang	D14/216
D911,302	S	*	2/2021	Wahlgren	D14/204
D912,645	S	*	3/2021	Xi	D14/216
D916,679	S	*	4/2021	Lin	D14/204
D934,196	S	*	10/2021	Kim	D14/204
D935,444	S	*	11/2021	Xu	D14/215
2016/0080845	A1	*	3/2016	Williams	H04R 1/02 381/386
2017/0006374	A1	*	1/2017	Song	F16H 35/18
2017/0085981	A1	*	3/2017	Mathur	H04R 1/24
2017/0187206	A1	*	6/2017	Lafountain	H02J 7/0044

* cited by examiner

Primary Examiner — Richard E Chilcot
(74) *Attorney, Agent, or Firm* — Law Office of Scott C Harris, Inc

(57) **CLAIM**

I claim the ornamental design for a portable speaker, as shown and described.

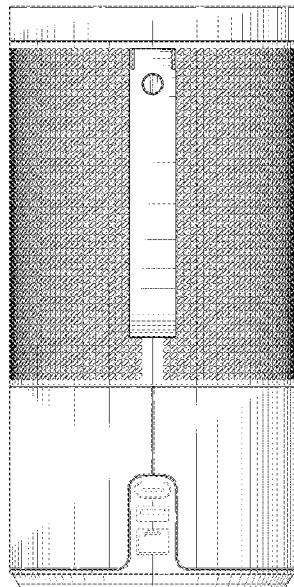
DESCRIPTION

FIG. 1 shows a front perspective view of the portable speaker; FIG. 2 shows a front view of the portable speaker; FIG. 3 shows a rear view of the portable speaker; FIG. 4 shows a first side view of the portable speaker; FIG. 5 shows a top view of the portable speaker; and, FIG. 6 shows a bottom view of the portable speaker. The portions of the graphical user interface shown in broken lines form no part of the claimed design.

1 Claim, 5 Drawing Sheets

(56) **References Cited**
U.S. PATENT DOCUMENTS

D722,595	S	*	2/2015	Mackiewicz	D14/216
D726,684	S	*	4/2015	Schmiedbauer	D14/210
D748,074	S	*	1/2016	Schmiedbauer	D14/210
D753,630	S	*	4/2016	Kim	D14/216
D789,320	S	*	6/2017	Schwarz	D14/140.9
D798,268	S	*	9/2017	Fang	D14/216
D800,699	S	*	10/2017	Fischer	D14/216



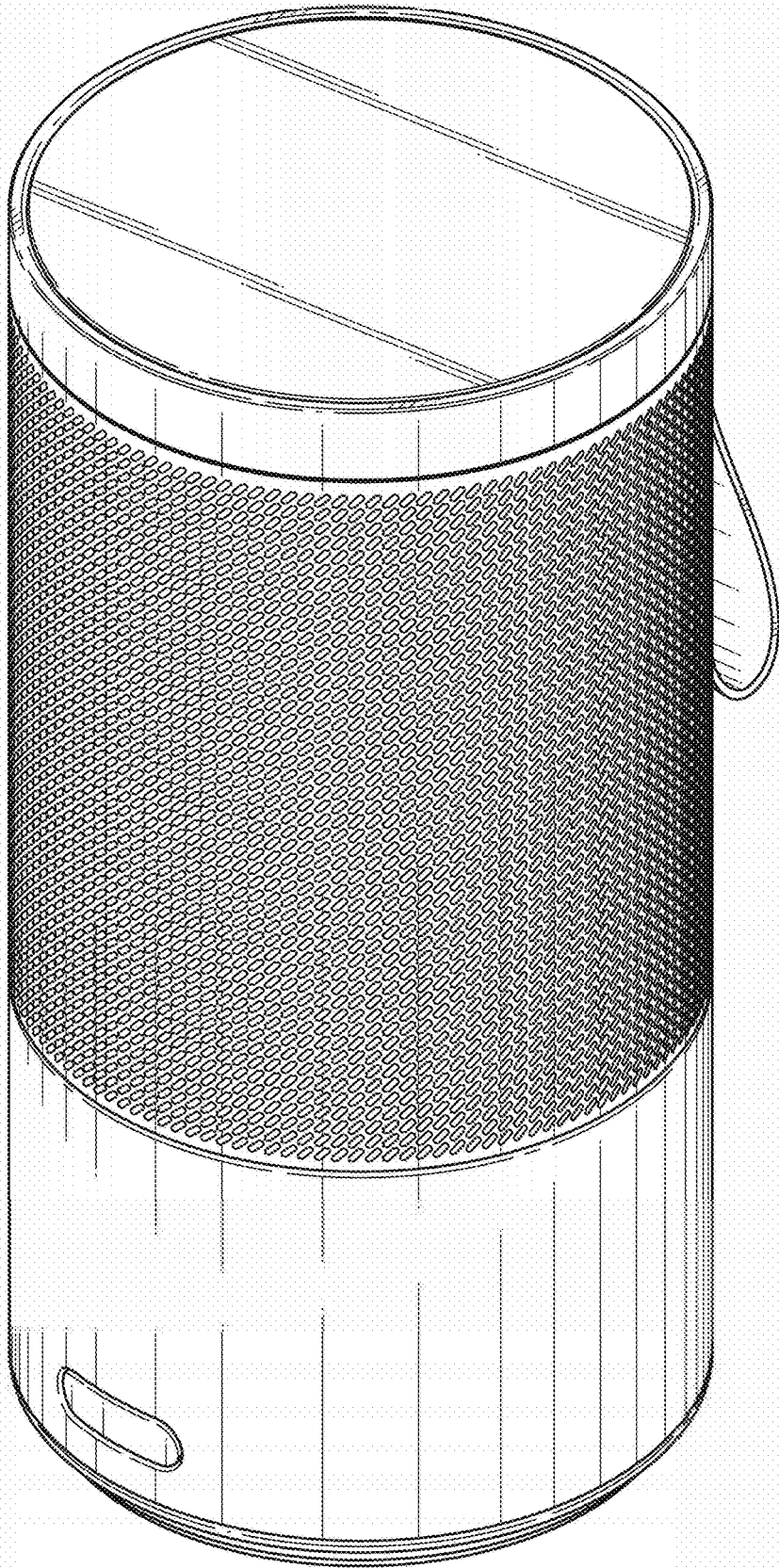


FIG. 1

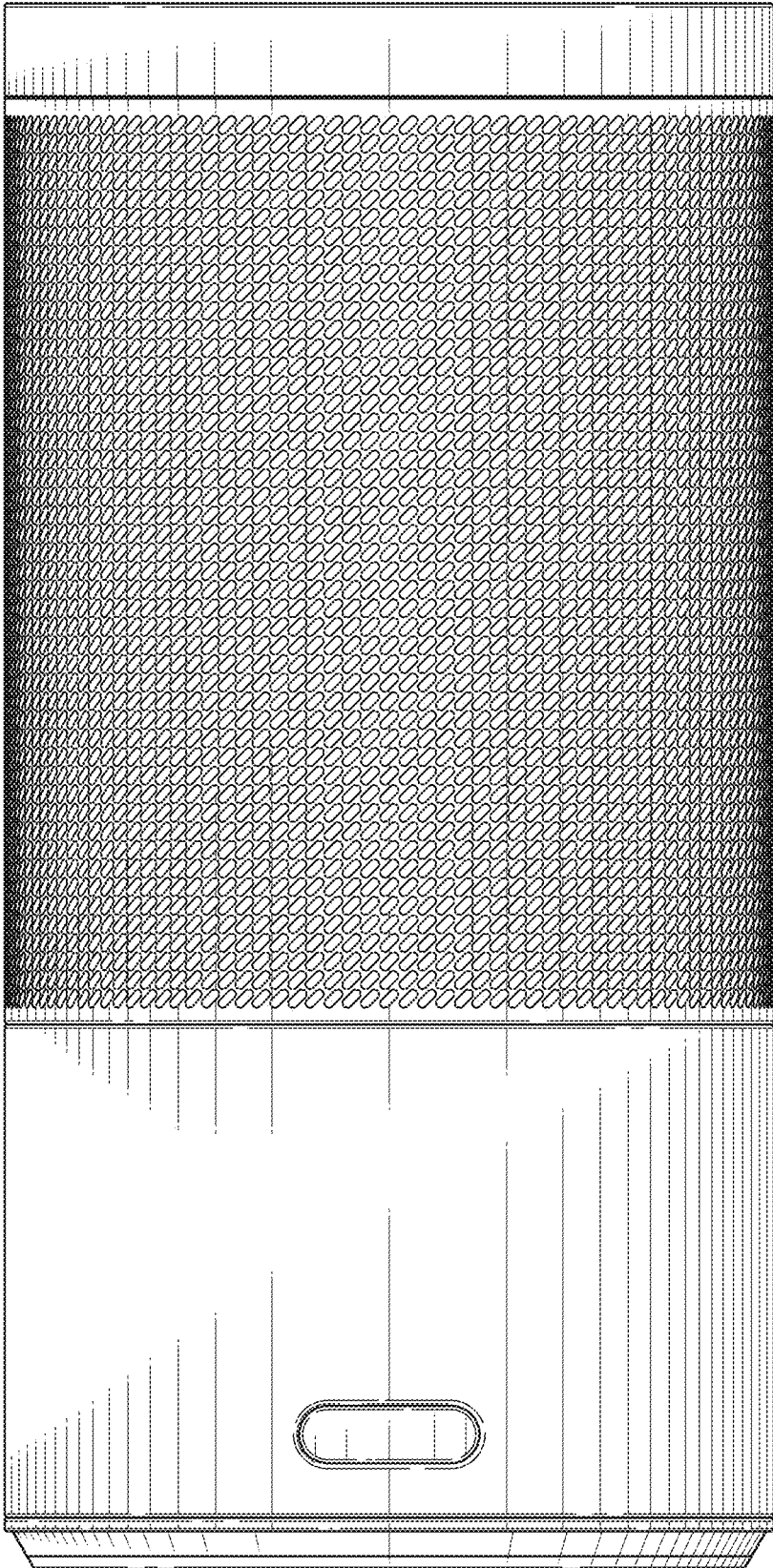


FIG. 2

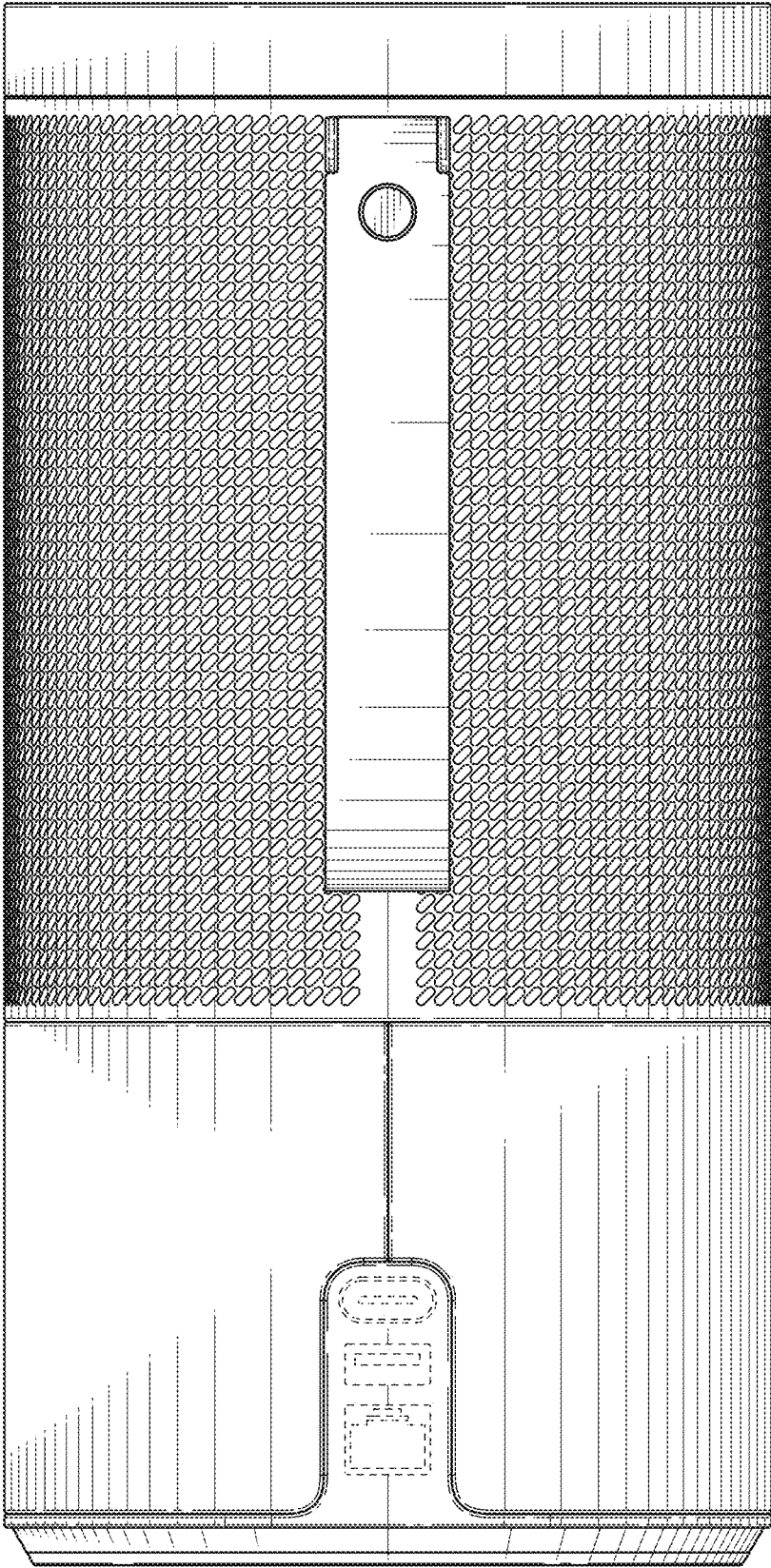


FIG. 3

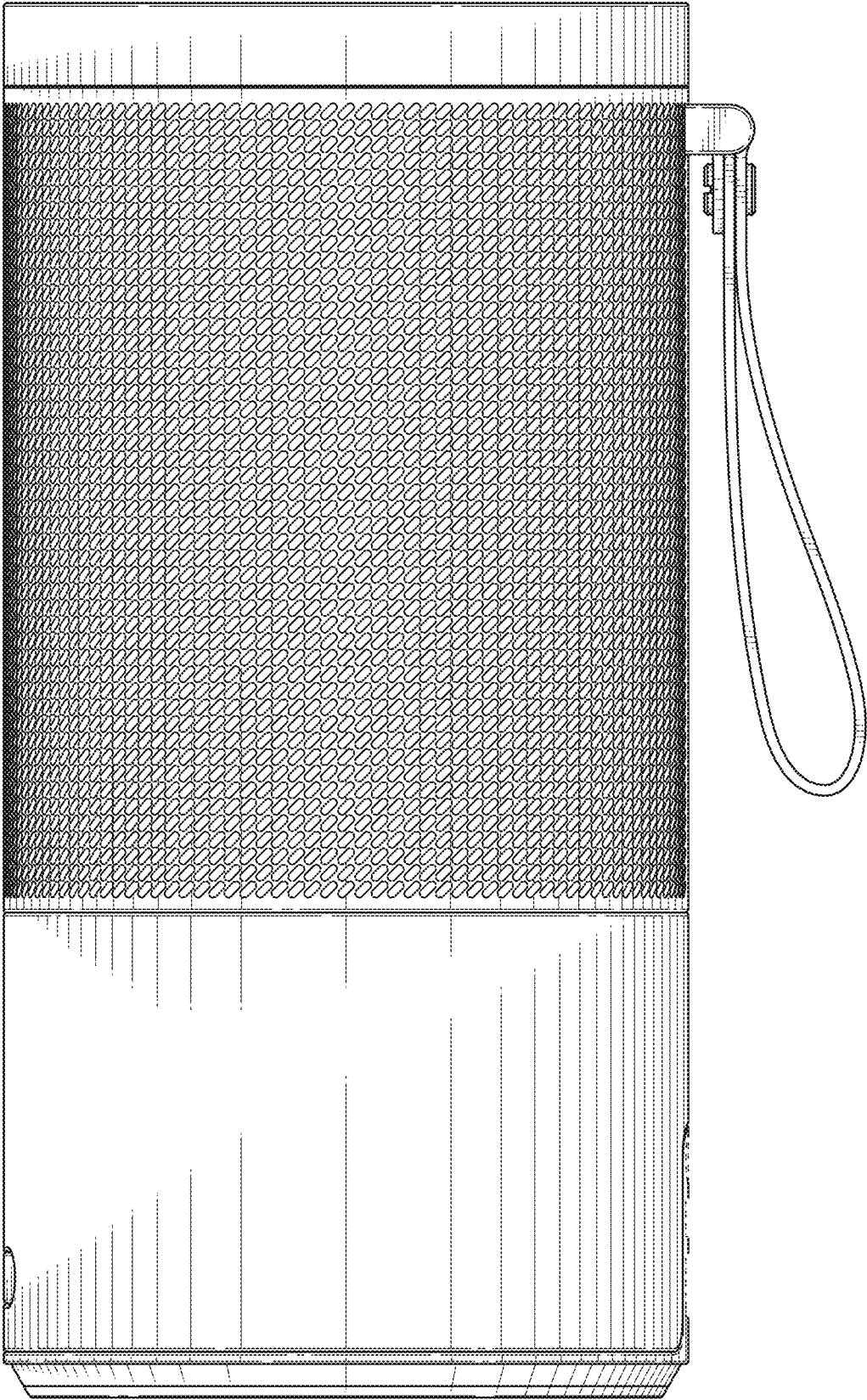


FIG. 4

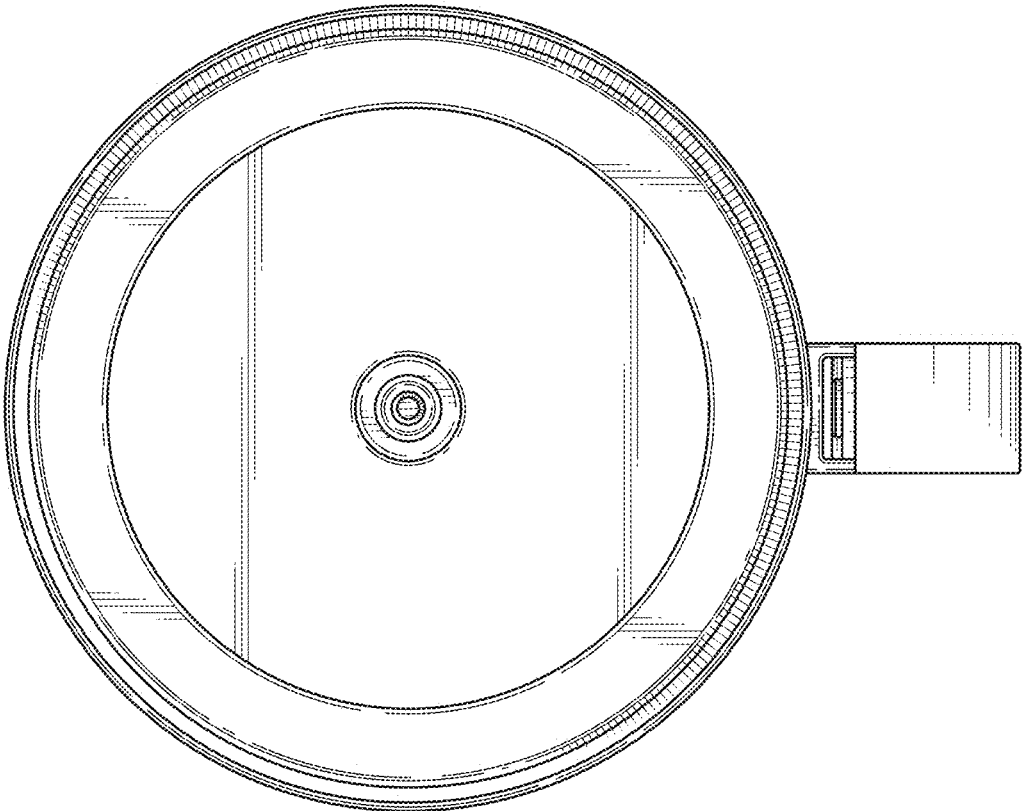


FIG. 6

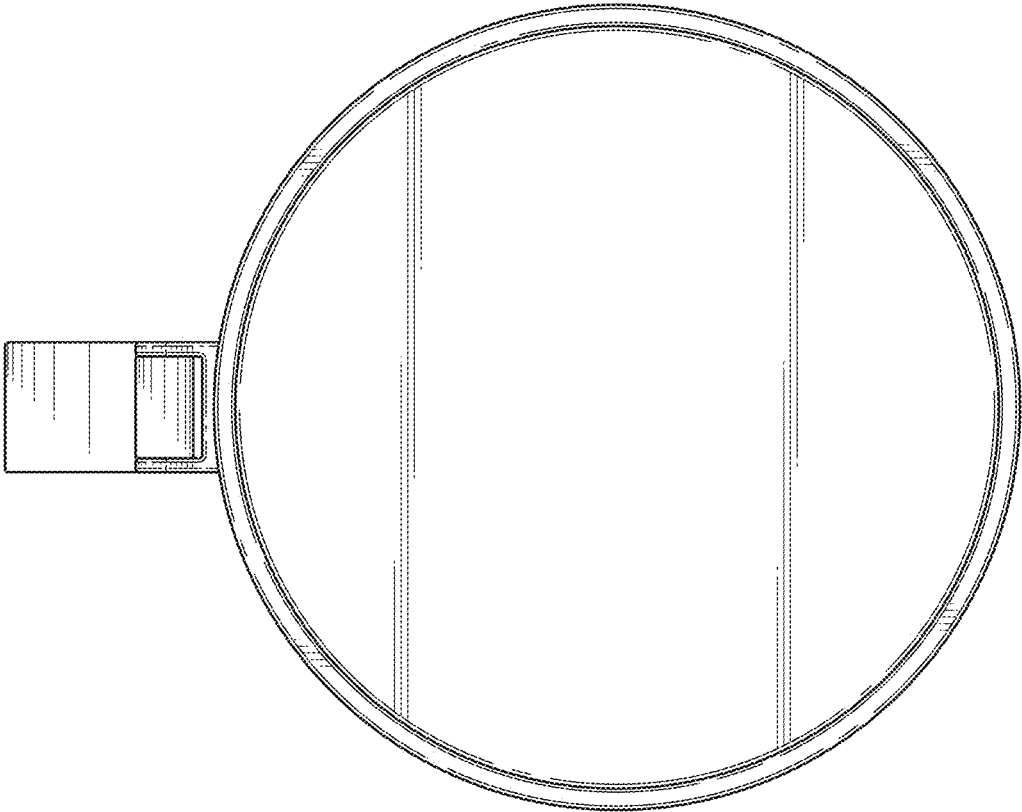


FIG. 5