

(19) World Intellectual Property Organization
International Bureau



(43) International Publication Date
6 August 2009 (06.08.2009)

PCT

(10) International Publication Number
WO 2009/095391 A3

- (51) **International Patent Classification:**
H01R 43/01 (2006.01) *H01R 43/042* (2006.01)
- (21) **International Application Number:**
PCT/EP2009/050913
- (22) **International Filing Date:**
28 January 2009 (28.01.2009)
- (25) **Filing Language:** English
- (26) **Publication Language:** English
- (30) **Priority Data:**
102008007183.8 1 February 2008 (01.02.2008) DE
- (71) **Applicant (for all designated States except US):** TYCO ELECTRONICS AMP GMBH [DE/DE]; Amperestrasse 12-14, D-64625 Bensheim (DE).
- (72) **Inventors; and**
- (75) **Inventors/Applicants (for US only):** GERST, Michael [DE/DE]; Pfeiffer und Diller Anlage 25, D-67551 Worms (DE). KNAPP, Horst J., T. [DE/DE]; Ober-Ramstaedter Weg 10b, D-64846 Gross-Zimmern (DE). LIPP, Martin [DE/DE]; In den Borngaerten 11, D-55296 Gau-Bischofsheim (DE).
- (74) **Agent:** HEINZ-SCHAEFER, Marion; c/o Tyco Electronics UK Ltd, European Patent Department, Faraday Road, Dorcan, Swindon Wiltshire SN3 5HH (GB).

(81) **Designated States (unless otherwise indicated, for every kind of national protection available):** AE, AG, AL, AM, AO, AT, AU, AZ, BA, BB, BG, BH, BR, BW, BY, BZ, CA, CH, CN, CO, CR, CU, CZ, DK, DM, DO, DZ, EC, EE, EG, ES, FI, GB, GD, GE, GH, GM, GT, HN, HR, HU, ID, IL, IN, IS, JP, KE, KG, KM, KN, KP, KR, KZ, LA, LC, LK, LR, LS, LT, LU, LY, MA, MD, ME, MG, MK, MN, MW, MX, MY, MZ, NA, NG, NI, NO, NZ, OM, PG, PH, PL, PT, RO, RS, RU, SC, SD, SE, SG, SK, SL, SM, ST, SV, SY, TJ, TM, TN, TR, TT, TZ, UA, UG, US, UZ, VC, VN, ZA, ZM, ZW.

(84) **Designated States (unless otherwise indicated, for every kind of regional protection available):** ARIPO (BW, GH, GM, KE, LS, MW, MZ, NA, SD, SL, SZ, TZ, UG, ZM, ZW), Eurasian (AM, AZ, BY, KG, KZ, MD, RU, TJ, TM), European (AT, BE, BG, CH, CY, CZ, DE, DK, EE, ES, FI, FR, GB, GR, HR, HU, IE, IS, IT, LT, LU, LV, MC, MK, MT, NL, NO, PL, PT, RO, SE, SI, SK, TR), OAPI (BF, BJ, CF, CG, CI, CM, GA, GN, GQ, GW, ML, MR, NE, SN, TD, TG).

Declarations under Rule 4.17:

— as to applicant's entitlement to apply for and be granted a patent (Rule 4.17(ii))

Published:

— with international search report (Art. 21(3))

[Continued on next page]

(54) **Title:** TOOL FOR PRODUCING INSULATION DISPLACEMENT CONNECTIONS AND/OR CRIMP CONNECTIONS

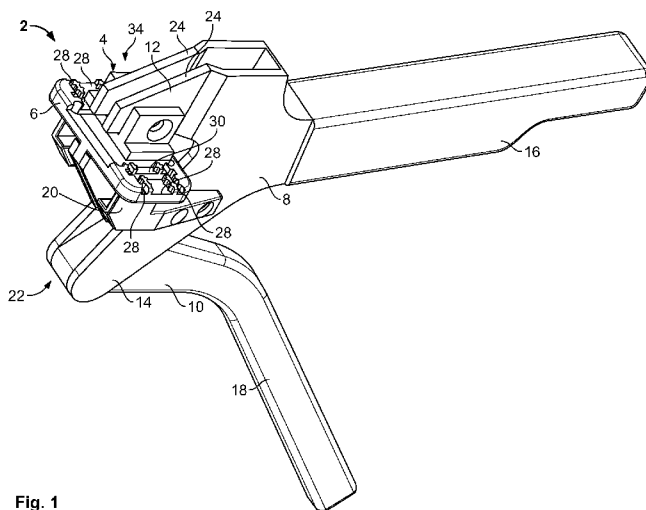


Fig. 1

(57) **Abstract:** A tool (2) for producing insulation displacement connections and/or crimp connections, which includes at least one punch mechanism (4) fitted on a punch lever arm (8), and at least one receiving mechanism (6), fitted on a receiving lever arm (10), for receiving at least one contact element. The punch lever arm (8) and the receiving lever arm (10) are moveable relative to one another in such a way that the receiving mechanism (6) can be moved towards the punch mechanism (4) in at least one working stroke in order to produce a connection between an electrically conductive wire, which is arranged at least in part between the receiving mechanism (6) and the punch mechanism (4), and at least one contact element, which is arranged on the receiving mechanism (6). The receiving mechanism (6) can be moved away from the punch mechanism (4) in a return stroke. A fixed ejector (20) is fitted on the punch lever arm (8) in such a way that at least a part of the ejector (20) presses against the contact element from the side of the contact element remote from the punch mechanism (4) in order to release the contact element from the receiving mechanism (6) when the receiving mechanism (6) is moved away from the punch mechanism (4).



WO 2009/095391 A3



— *before the expiration of the time limit for amending the claims and to be republished in the event of receipt of amendments (Rule 48.2(h))*

(88) Date of publication of the international search report:
1 October 2009

INTERNATIONAL SEARCH REPORT

International application No
PCT/EP2009/050913

A. CLASSIFICATION OF SUBJECT MATTER
INV. H01R43/01 H01R43/042

According to International Patent Classification (IPC) or to both national classification and IPC

B. FIELDS SEARCHED

Minimum documentation searched (classification system followed by classification symbols)
H01R

Documentation searched other than minimum documentation to the extent that such documents are included in the fields searched

Electronic data base consulted during the international search (name of data base and, where practical, search terms used)

EPO-Internal, WPI Data

C. DOCUMENTS CONSIDERED TO BE RELEVANT

Category*	Citation of document, with indication, where appropriate, of the relevant passages	Relevant to claim No.
X	US 6 256 871 B1 (BUNNELL ED [US] ET AL) 10 July 2001 (2001-07-10) abstract; figures 1-11 column 2, line 66 - column 5, line 64	1,2,5,7, 9-18
A	EP 1 422 793 A (TYCO ELECTRONICS AMP ESPANOLA [ES]) 26 May 2004 (2004-05-26) abstract; figures 1-9 paragraph [0018] - paragraph [0040]	1,17
A	US 4 160 317 A (SERGEANT RONALD G) 10 July 1979 (1979-07-10) abstract; figures 1-12 column 2, line 54 - column 5, line 67	9,10
	-/--	

Further documents are listed in the continuation of Box C.

See patent family annex.

* Special categories of cited documents:

- *A* document defining the general state of the art which is not considered to be of particular relevance
- *E* earlier document but published on or after the international filing date
- *L* document which may throw doubts on priority claim(s) or which is cited to establish the publication date of another citation or other special reason (as specified)
- *O* document referring to an oral disclosure, use, exhibition or other means
- *P* document published prior to the international filing date but later than the priority date claimed

- *T* later document published after the international filing date or priority date and not in conflict with the application but cited to understand the principle or theory underlying the invention
- *X* document of particular relevance; the claimed invention cannot be considered novel or cannot be considered to involve an inventive step when the document is taken alone
- *Y* document of particular relevance; the claimed invention cannot be considered to involve an inventive step when the document is combined with one or more other such documents, such combination being obvious to a person skilled in the art.
- *Z* document member of the same patent family

Date of the actual completion of the international search

20 July 2009

Date of mailing of the international search report

29/07/2009

Name and mailing address of the ISA/
European Patent Office, P.B. 5618 Patentlaan 2
NL - 2280 HV Rijswijk
Tel. (+31-70) 340-2040,
Fax: (+31-70) 340-3016

Authorized officer

Serrano Funcia, J

INTERNATIONAL SEARCH REPORT

International application No
PCT/EP2009/050913

C(Continuation). DOCUMENTS CONSIDERED TO BE RELEVANT		
Category*	Citation of document, with indication, where appropriate, of the relevant passages	Relevant to claim No.
A	CH 681 754 A5 (ERNST HEPPLER) 14 May 1993 (1993-05-14) abstract; figure 4 column 2, line 9 - column 3, line 4 -----	1,17
A	US 3 886 642 A (NEALE SR DORY J) 3 June 1975 (1975-06-03) abstract; figure 11 column 10, line 41 - column 11, line 21 -----	1,17

INTERNATIONAL SEARCH REPORT

Information on patent family members

International application No PCT/EP2009/050913

Patent document cited in search report	Publication date	Patent family member(s)	Publication date
US 6256871	B1	10-07-2001	NONE
EP 1422793	A	26-05-2004	AT 317599 T 15-02-2006
			DE 60209094 T2 14-09-2006
			ES 2257514 T3 01-08-2006
			US 2004137784 A1 15-07-2004
US 4160317	A	10-07-1979	NONE
CH 681754	A5	14-05-1993	NONE
US 3886642	A	03-06-1975	CA 1031939 A1 30-05-1978